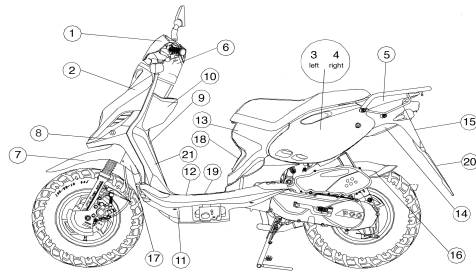




Parts Catalog

**Black
Cat®**

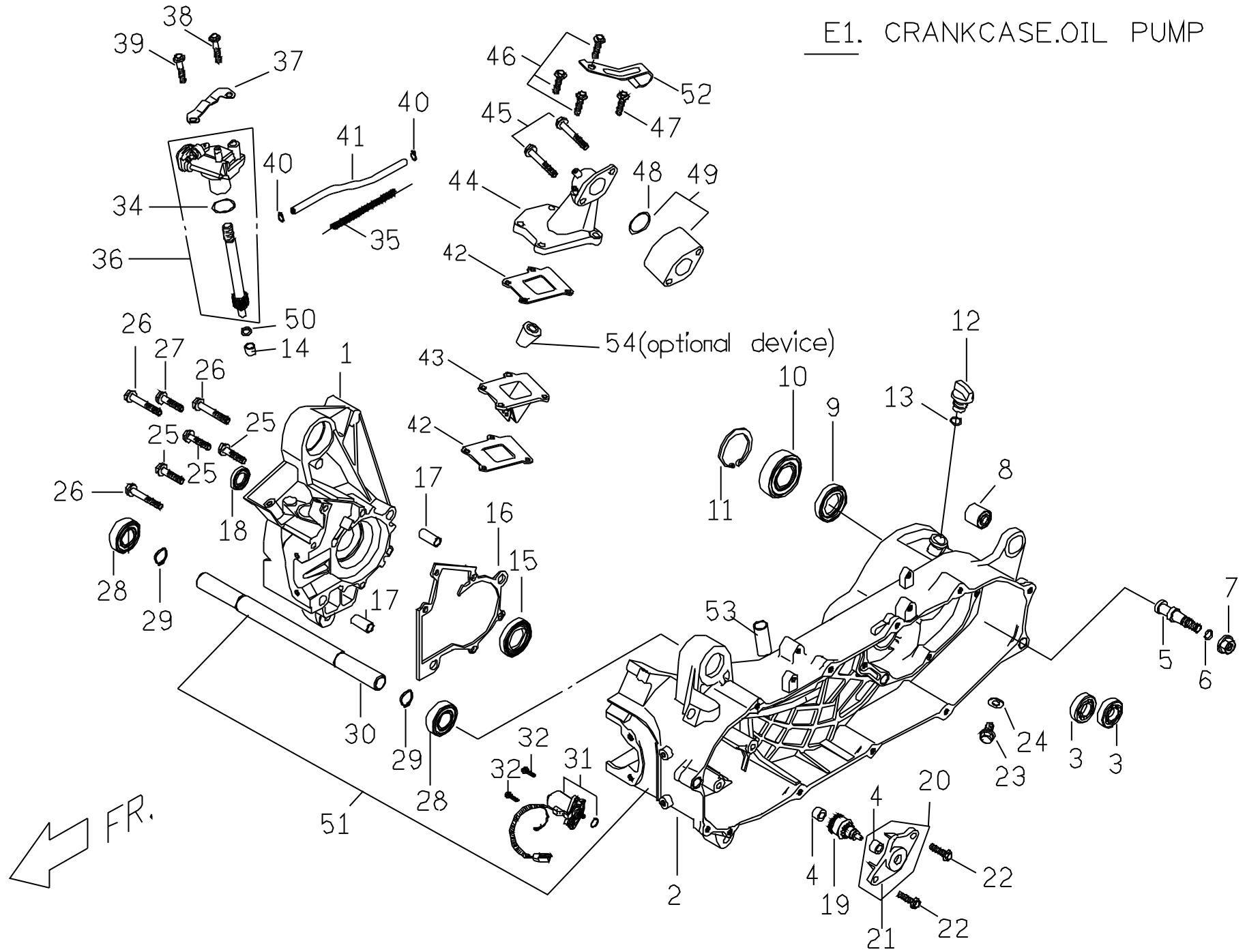




ROUGHHOUSE/ BLACK CAT Body Panels

| NO | PART NAME | BLACK CAT YELLOW | ROUGH HOUSE GREEN | ROUGH HOUSE BLUE | ROUGH HOUSE BLACK | ROUGH HOUSE RED w/RED HEADSET | ROUGH HOUSE w/ BLACK HEADSET | ROUGH HOUSE BLACK MATTE | ROUGH HOUSE GREEN MATTE | DEALER COST | MSRP |
|----|---------------------------|---------------------|-------------------|------------------|-------------------|----------------------------------|---------------------------------|----------------------------|----------------------------|-------------|----------|
| 1 | COVER,UPPER | P2613001690 | P2613001690 | P2613001690 | P2613001690 | P2613001110 | P2613001690 | P26130016800 | P26130016800 | \$ 26.63 | \$ 56.88 |
| 2 | WINDSHIELD | P26210012P0 | P06210003P00 | P06210004600 | P06210006900 | P06210001100 | P06210001100 | P06210006800 | P06210003100 | \$ 43.05 | \$ 97.43 |
| 3 | LH BODY COVER | P26253012P0 | P26253013P00 | P26253014600 | P26253016900 | P26253011100 | P26253011100 | P26253016800 | P26253013100 | \$ 20.13 | \$ 45.50 |
| 4 | RH BODY COVER | P26255002P0 | P26255003P00 | P26255004600 | P26255006900 | P26255001100 | P26255001100 | P26255006800 | P26255003100 | \$ 20.13 | \$ 45.50 |
| 5 | REAR COVER | P26257002P0 | P26257003P00 | P26257004600 | P26257006900 | P26257001100 | P26257001100 | P26257006800 | P26257003100 | \$ 21.56 | \$ 47.13 |
| NO | PART NAME | YELLOW+BLACK | BLACK | BLACK | BLACK | BLACK | BLACK | BLACK | BLACK | | |
| 6 | COVER,LOWER | P261D0026500 | P261D0026500 | P261D0026500 | P261D0026500 | P261D0026500 | P261D0026500 | P261D0026500 | P261D0026500 | \$ 5.04 | \$ 11.38 |
| 7 | FRT.FENDER(FRT SECTION) | P26320012P01 | P2632001650 | P2632001650 | P2632001650 | P2632001650 | P2632001650 | P2632001650 | P2632001650 | \$ 21.57 | \$ 47.13 |
| 8 | FRT COVER,LOWER | P26260010650 | P26260010650 | P26260010650 | P26260010650 | P26260010650 | P26260010650 | P26260010650 | P26260010650 | \$ 10.07 | \$ 22.75 |
| 9 | FRT INNER COVER | P262C0036501 | P262C0036501 | P262C0036501 | P262C0036501 | P262C0036501 | P262C0036501 | P262C0036501 | P262C0036501 | \$ 18.65 | \$ 42.15 |
| 10 | FRT LUGGAGE CASE | P2622000650 | P2622000650 | P2622000650 | P2622000650 | P2622000650 | P2622000650 | P2622000650 | P2622000650 | \$ 2.38 | \$ 5.37 |
| 11 | STEP FLOOR COVER, LOWER | P2626001650 | P2626001650 | P2626001650 | P2626001650 | P2626001650 | P2626001650 | P2626001650 | P2626001650 | \$ 10.07 | \$ 22.75 |
| 12 | STEP FLOOR | P26240006501 | P2624000650 | P2624000650 | P2624000650 | P2624000650 | P2624000650 | P2624000650 | P2624000650 | \$ 31.63 | \$ 71.50 |
| 13 | BODY COVER,FRONT | P26250406501 | P2625040650 | P2625040650 | P2625040650 | P2625040650 | P2625040650 | P2625040650 | P2625040650 | \$ 17.62 | \$ 39.82 |
| 14 | BODY COVER, LOWER | P2625022650 | P2625022650 | P2625022650 | P2625022650 | P2625022650 | P2625022650 | P2625022650 | P2625022650 | \$ 5.72 | \$ 12.90 |
| 15 | LICENCE PLATE | P26360026500 | P26360026500 | P26360026500 | P26360026500 | P26360026500 | P26360026500 | P26360026500 | P26360026500 | \$ 5.04 | \$ 11.38 |
| 16 | REAR FENDER | P2634000650 | P2634000650 | P2634000650 | P2634000650 | P2634000650 | P2634000650 | P2634000650 | P2634000650 | \$ 5.72 | \$ 12.90 |
| 17 | FRT.FENDER (REAR SECTION) | P2632601650 | P2632601650 | P2632601650 | P2632601650 | P2632601650 | P2632601650 | P2632601650 | P2632601650 | \$ 1.80 | \$ 4.07 |
| 18 | MIDDLE COVER | P2625010650 | P2625010650 | P2625010650 | P2625010650 | P2625010650 | P2625010650 | P2625010650 | P2625010650 | \$ 2.88 | \$ 6.50 |
| 19 | BATTERY COVER | P2624030650 | P2624030650 | P2624030650 | P2624030650 | P2624030650 | P2624030650 | P2624030650 | P2624030650 | \$ 2.88 | \$ 6.50 |
| 20 | LOWER FENDER | P2635001650 | P2635001650 | P2635001650 | P2635001650 | P2635001650 | P2635001650 | P2635001650 | P2635001650 | \$ 2.17 | \$ 4.88 |
| 21 | VIN COVER | P16230122P00 | P1623012650 | P1623012650 | P1623012650 | P1623012650 | P1623012650 | P1623012650 | P1623012650 | \$ 7.19 | \$ 16.25 |
| * | MIRROR LEFT | P261F010000 | P261F010000 | P261F010000 | P261F010000 | P261F010000 | P261F010000 | P261F010000 | P261F010000 | \$ 7.19 | \$ 16.25 |
| * | MIRROR RIGHT | P261F020000 | P261F020000 | P261F020000 | P261F020000 | P261F020000 | P261F020000 | P261F020000 | P261F020000 | \$ 7.19 | \$ 16.25 |

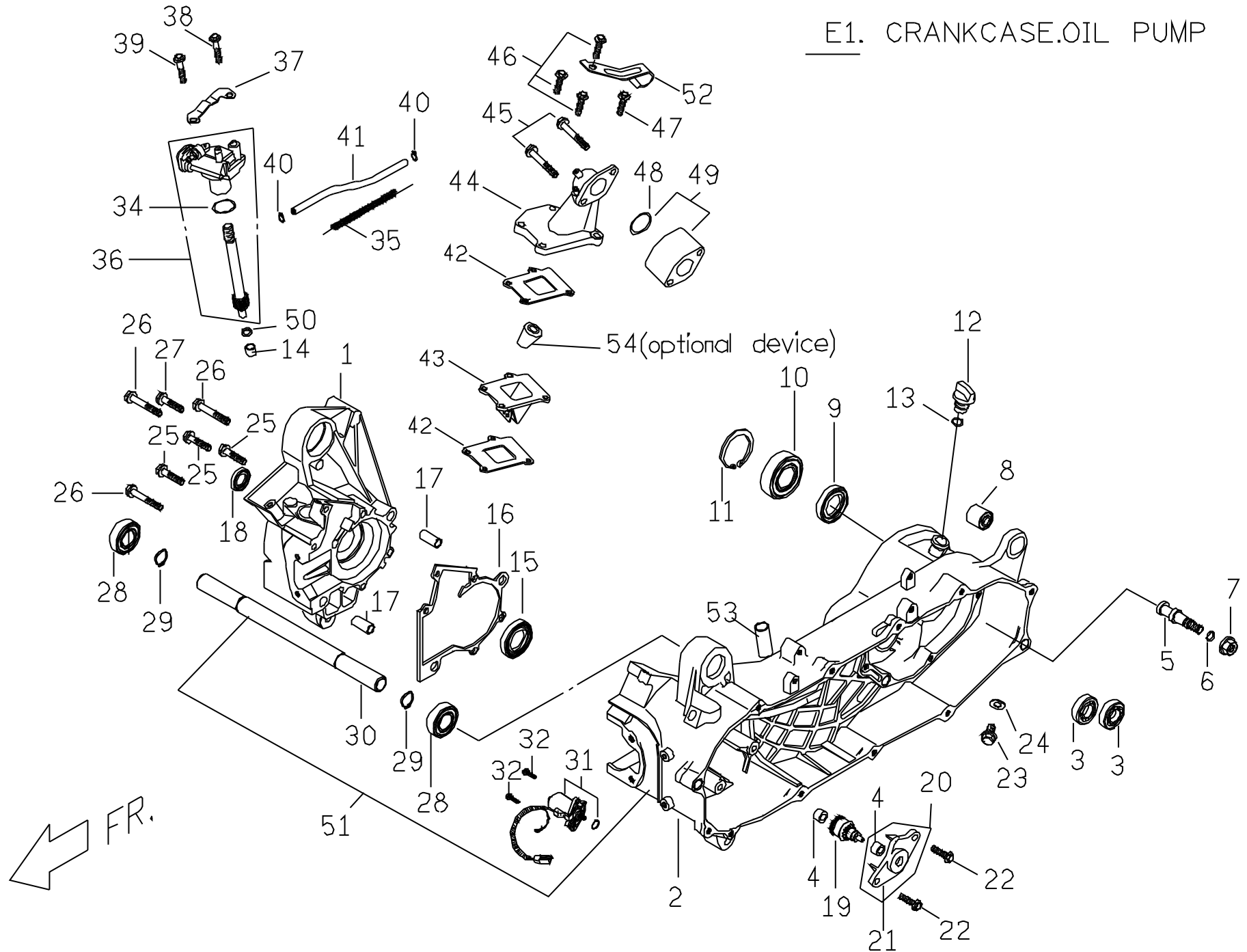
E1. CRANKCASE.OIL PUMP



E1. CRANK CASE OIL PUMP (Black Cat & Rattler 50)

| NO. | PART NO. | PART NAME | Q'TY | FMSP |
|------------|-----------------|----------------------------|-------------|-------------|
| 1 | P106A010000 | RH CRANKCASE | 1 | Y |
| 2 | P10620110002 | LH CRANKCASE | 1 | |
| 3 | 96510620000 | BALL BEARING | 2 | |
| 4 | E1062130000 | BUSH | 2 | |
| 5 | P1407431000 | PIVOT, RR BRAKE SHOE | 1 | |
| 6 | 95510800000 | O RING | 1 | |
| 7 | 92060800000 | HEXAGON FLANGE NUT | 1 | |
| 8 | P1062020000 | RUBBER BUSH | 1 | |
| 9 | 95572540700 | OIL SEAL, TC TYPE | 1 | Y |
| 10 | 96530620400 | BALL BEARING, DOUBLE SEAL | 1 | |
| 11 | 92164700000 | RETAINING, RING, C TYPE | 1 | |
| 12 | P1062150000 | OIL BOLT | 1 | |
| 13 | 95511300001 | O RING | 1 | |
| 14 | E1061030000 | BUSH | 1 | |
| 15 | 95572038700 | OIL SEAL, TC TYPE | 1 | Y |
| 16 | P1061041000 | GASKET , CRANKCASE | 1 | Y |
| 17 | 93541002300 | LOCK PIN | 2 | |
| 18 | 95571525700 | OIL SEAL, TC TYPE | 1 | |
| 19 | E1242000000 | IDLE GEAR COMP, STARTER | 1 | Y |
| 20 | P1242111000 | FIXED PLATE, STARTER COMP. | 1 | Y |
| 21 | NA | FIXING PLATE | 1 | |
| 22 | 90190601601 | HEXAGON FLANGE BOLT | 2 | |
| 23 | 90190801200 | HEXAGON FLANGE BOLT | 1 | |
| 24 | 92140800001 | WASHER | 1 | |
| 25 | 90190604500 | HEXAGON FLANGE BOLT | 3 | |
| 26 | 90190606000 | HEXAGON FLANGE BOLT | 3 | |
| 27 | 90190602700 | HEXAGON FLANGE BOLT | 1 | |
| 28 | 96530600300 | BALL BEARING, DOUBLE SEAL | 2 | Y |

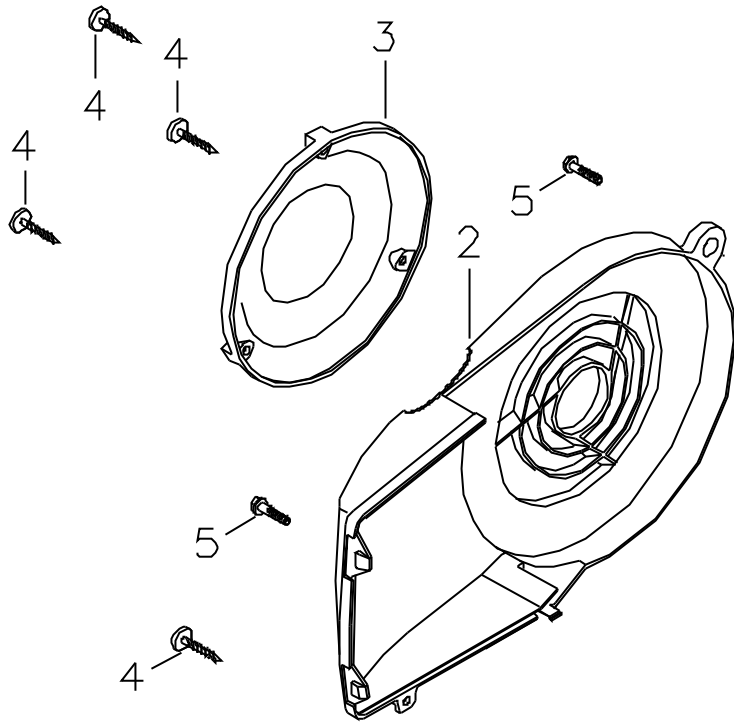
E1. CRANKCASE.OIL PUMP



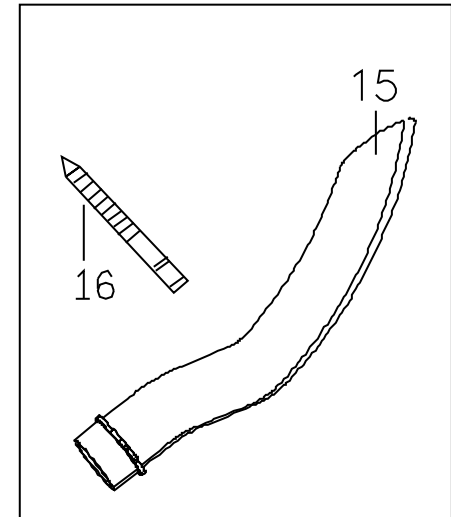
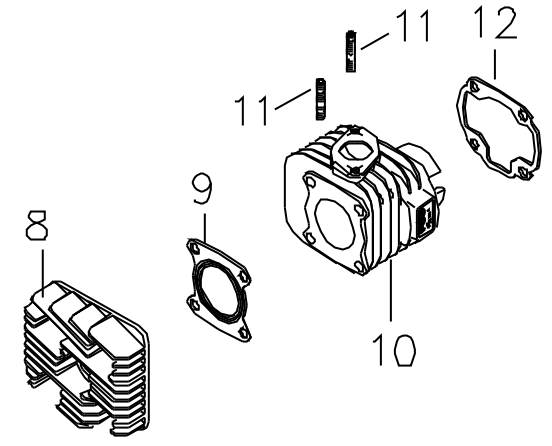
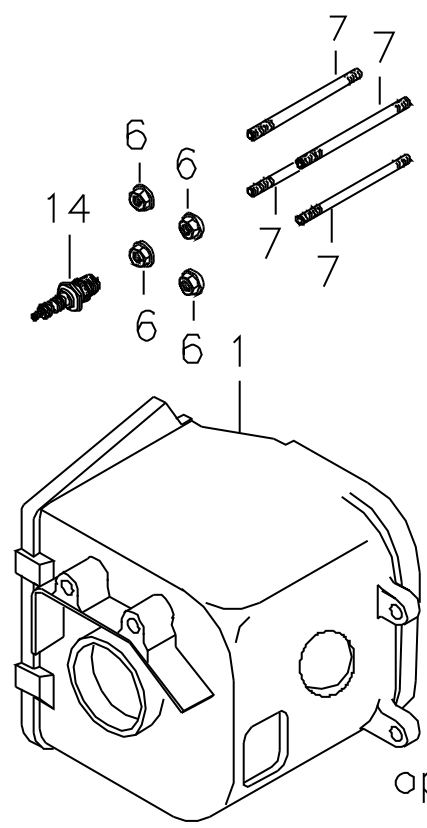
E1. CRANK CASE OIL PUMP (Black Cat & Rattler 50)

| NO. | PART NO. | PART NAME | Q'TY | FMSP |
|------------|-----------------|-------------------------|-------------|-------------|
| 29 | 92171700000 | RETAINING, RING, C TYPE | 2 | |
| 30 | P1486020000 | ENGINE HANGER SHAFT | 1 | |
| 31 | E1241001000 | MOTOR COMP., STARTER | 1 | Y |
| 32 | 90040602001 | HEXAGON FLANGE BOLT | 2 | |
| 34 | 95512000001 | O RING | 1 | |
| 35 | P1706611000 | COMPRESION SPRING | 1 | |
| 36 | P10810010001 | OIL PUMP ASSY. | 1 | Y |
| 37 | P10812100000 | OIL PUMP PLATE | 1 | |
| 38 | 90190603500 | HEXAGON FLANGE BOLT | 2 | |
| 39 | 90190601203 | HEXAGON FLANGE BOLT | 1 | |
| 40 | 93550500800 | SPRING PIN | 2 | |
| 41 | P1081301000 | RUBBER TUBE | 1 | |
| 42 | P1261021000 | GASKET, REED VALVE | 1 | Y |
| 43 | P1261101000 | REED VALVE COMP. | 1 | Y |
| 44 | P1261014000 | INTAKE MANIFOLD | 1 | Y |
| 45 | 90190603500 | HEXAGON FLANGE BOLT | 2 | |
| 46 | 90180602500 | HEXAGON FLANGE BOLT | 3 | |
| 47 | 90190608600 | HEXAGON FLANGE BOLT | 1 | |
| 48 | 95512300000 | O RING | 1 | |
| 49 | P12613000001 | INSULATOR ASSY., CARB. | 1 | Y |
| 50 | 92140700001 | PLAIN WASHER | 1 | |
| 51 | P106K0100002 | RH/LH CRANKCASE COMP. | 1 | |
| 52 | P1706400000 | FIXING CLIP | 1 | |
| 53 | P0286330000 | INLET BUSH | 1 | |

E2. FAN COVER, COOLING COWL
CYLINDER, CYLINDER HEAD



FR. ←

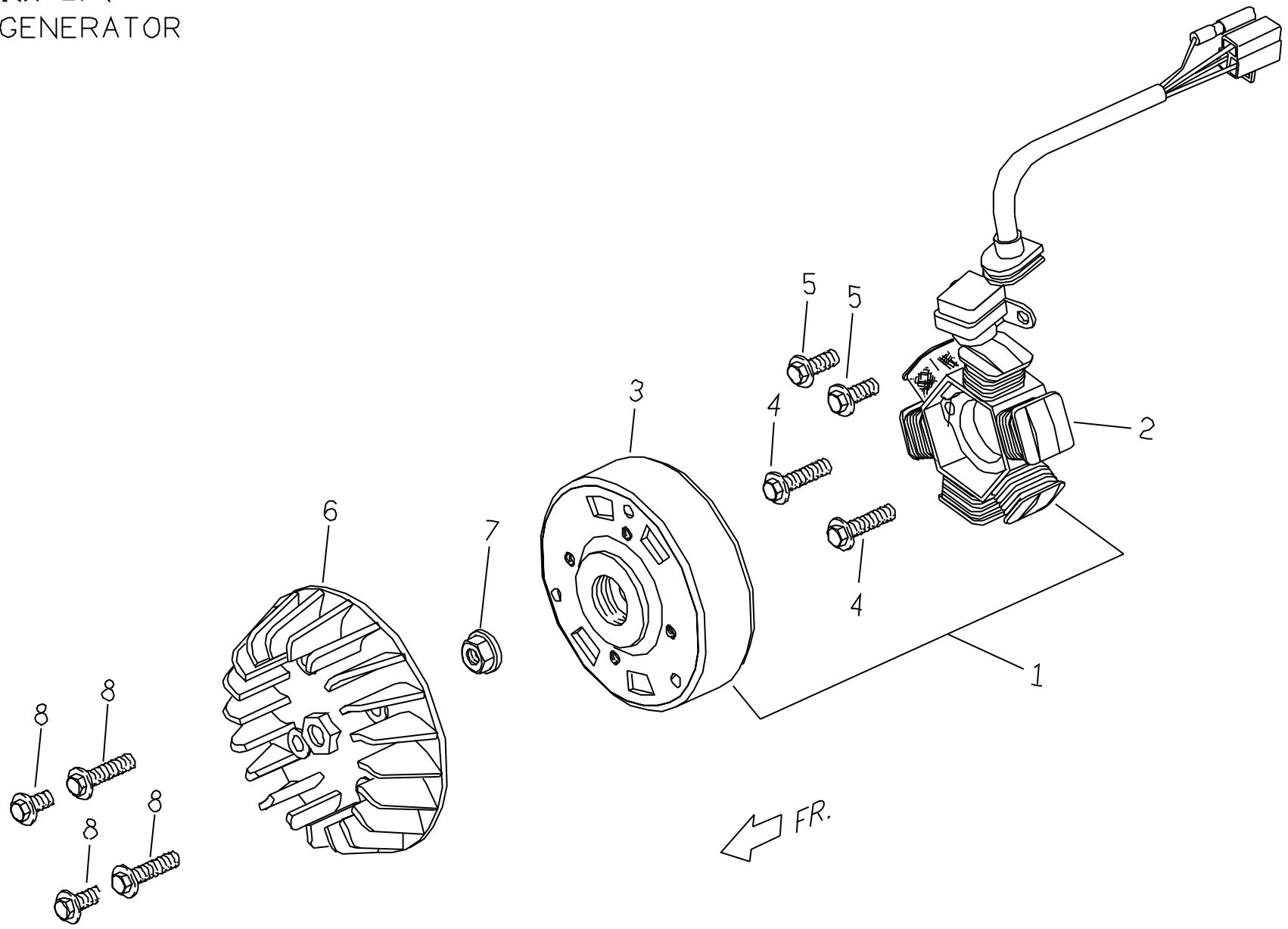


optional device for frozen area

E2. FAN COVER.COOLING COWL.CYLINDER.CYLINDER HEAD (Black Cat & Rattler 50)

| NO. | PART NO. | PART NAME | Q'TY | FMSP |
|------------|-----------------|---------------------------|-------------|-------------|
| 1 | P10421000001 | COOLING COWL | 1 | Y |
| 2 | P1042001000 | FAN COVER | 1 | Y |
| 3 | E1042200000 | OUTER FAN COVER | 1 | Y |
| 4 | 90110401200 | C-R PAN HD. TAPPING SCREW | 4 | |
| 5 | 90190602700 | HEXAGON FLANGE BOLT | 2 | |
| 6 | 92040700000 | HEXAGON FLANGE NUT | 4 | |
| 7 | P1061050000 | STUD BOLT | 4 | |
| 8 | P1065010000 | CYLINDER HEAD | 1 | Y |
| 9 | P1065110000 | GASKET, CYLINDER HEAD | 1 | Y |
| 10 | P1064010000 | CYLINDER | 1 | Y |
| 11 | 90170602602 | STUD BOLT | 2 | |
| 12 | P1064111000 | CYLINDER GASKET | 1 | Y |
| 13 | 90190601203 | HEXAGON FLANGE BOLT | 2 | |
| 14 | P12220000002 | SPARK PLUG | 1 | Y |
| 15 | P1042110000 | AIR PIPE | 1 | Y |
| | | | | |
| | | | | |
| | | | | |
| | | | | |
| | | | | |
| | | | | |
| | | | | |
| | | | | |
| | | | | |
| | | | | |
| | | | | |
| | | | | |
| | | | | |

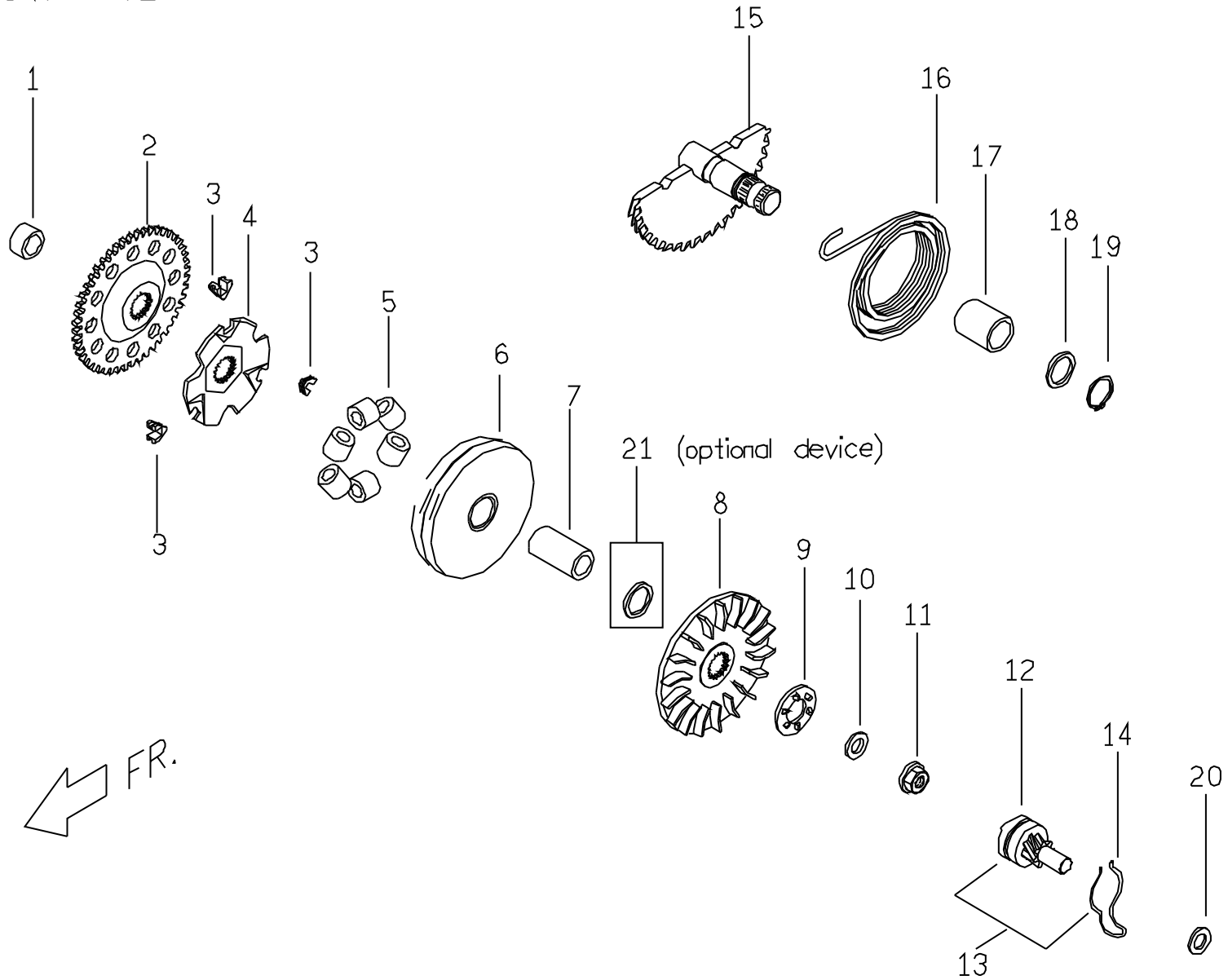
E3 風扇.發電機
FAN,GENERATOR



E3. GENERATOR (Black Cat & Rattler 50)

| NO. | PART NO. | PART NAME | Q'TY | FMSP |
|------------|-----------------|---------------------|-------------|-------------|
| 1 | P1221000002 | AC GENERATOR ASSY. | 1 | Y |
| 2 | P12210200002 | STATOR COMP. | 1 | Y |
| 3 | P12210100001 | FLYWHEEL COMP. | 1 | |
| 4 | 90180601800 | HEXAGON FLANGE BOLT | 2 | |
| 5 | 90190601203 | HEXAGON FLANGE BOLT | 2 | |
| 6 | P1043000000 | FAN | 1 | Y |
| 7 | 92041000001 | HEXAGON FLANGE NUT | 1 | |
| 8 | 90190601204 | HEXAGON FLANGE BOLT | 4 | |
| | | | | |
| | | | | |
| | | | | |
| | | | | |
| | | | | |
| | | | | |
| | | | | |
| | | | | |
| | | | | |
| | | | | |
| | | | | |
| | | | | |
| | | | | |
| | | | | |
| | | | | |
| | | | | |
| | | | | |
| | | | | |
| | | | | |
| | | | | |
| | | | | |
| | | | | |
| | | | | |

E4 DRIVING FACE

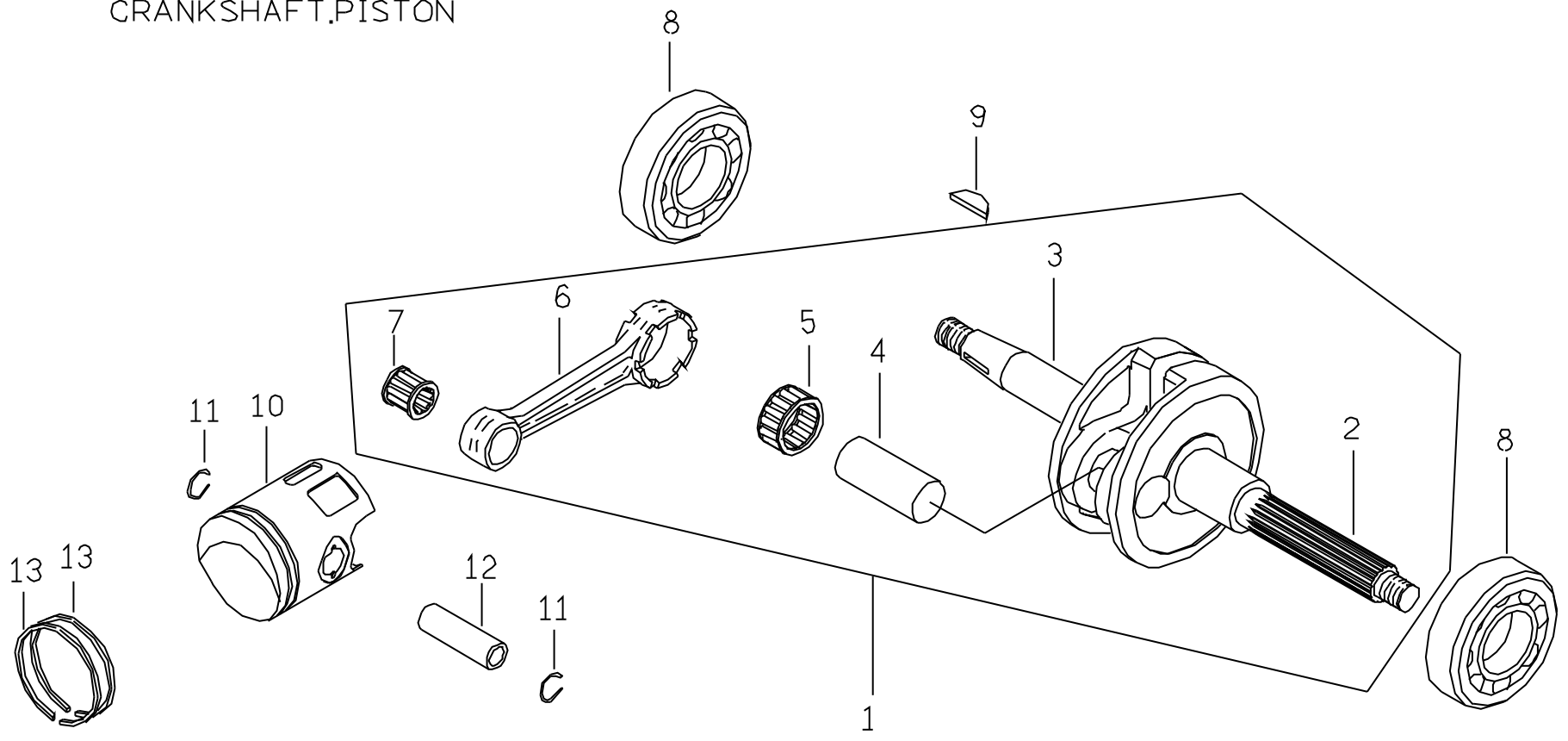


E4. DRIVING FACE (Black Cat & Rattler 50)

| NO. | PART NO. | PART NAME | Q'TY | FMSP |
|------------|-----------------|---------------------------------|-------------|-------------|
| 1 | P1242210000 | SPACER | 1 | |
| 2 | P1242200000 | DRIVEN GEAR, STERTER | 1 | Y |
| 3 | P1121320000 | SLIDE PIECE | 3 | Y |
| 4 | P1121310000 | RAMP PLATE | 1 | Y |
| 5 | P1121200000 | WEIGHT ROLLER COMP. | 6 | Y |
| 6 | P1121101000 | DRIVING FACE COMP., MOVABLE | 1 | Y |
| 7 | P1121050000 | BOSS, MOVABLE DRIVE FACE | 1 | Y |
| 8 | P1121060000 | DRIVE FACE | 1 | Y |
| 9 | P1251030000 | RATCHET, KICK STARTWER | 1 | Y |
| 10 | 92141000001 | PLAIN WASHER | 1 | |
| 11 | 92041000001 | HEXAGON FLANGE NUT | 1 | Y |
| 12 | NA | DRIVEN GEAR COMP., KICK STARTER | 1 | |
| 13 | E1251000000 | DRIVEN GEAR 7 SPRING COMP. | 1 | Y |
| 14 | NA | SPRING, FRICTION STARTER GEAR | 1 | |
| 15 | E1251101000 | SPINDLE COMP., KICK STARTER | 1 | Y |
| 16 | E2251110000 | TORSION SPRING | 1 | |
| 17 | E1251120000 | BUSH | 1 | |
| 18 | 92141400000 | PLAIN WASHER | 1 | |
| 19 | 92171400000 | RETAINING RING, C TYPE | 1 | |
| 20 | 92141000011 | PLAIN WASHER | 1 | |
| 21 | P11210800005 | COLLAR | 1 | |
| | | | | |
| | | | | |
| | | | | |
| | | | | |
| | | | | |

E5

曲柄軸, 活塞
CRANKSHAFT, PISTON

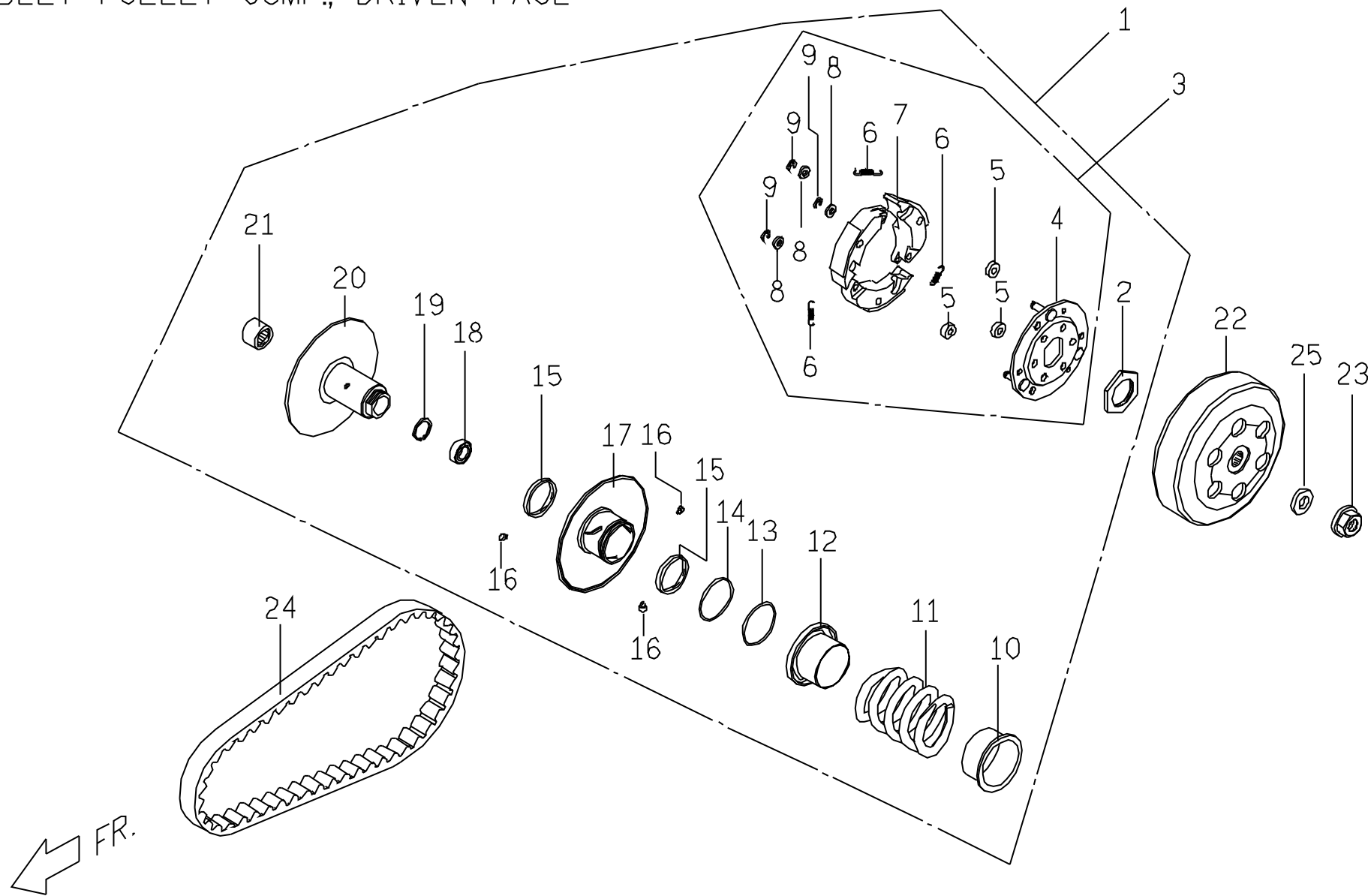


← FR.

E5. CRANKSHAFT.PISTON(Black Cat & Rattler 50)

| NO. | PART NO. | PART NAME | Q'TY | FMSP |
|------------|-----------------|-------------------|-------------|-------------|
| 1 | P1066000000 | CRANKSHAFT COMP. | 1 | |
| 2 | NA | LH CRANKSHAFT | 1 | |
| 3 | NA | RH CRANKSHAFT | 1 | |
| 4 | P1066030000 | CRANK PIN | 1 | |
| 5 | 96590162200 | BEARING CAGE | 1 | |
| 6 | P1066120000 | CONNECTING ROD | 1 | |
| 7 | 96601001400 | RBEARING CAGE | 1 | Y |
| 8 | E1062100000 | BALL BEARING | 2 | |
| 9 | 93530302400 | WOODRUFF KEY | 1 | |
| 10 | P1067010000 | PISTON | 1 | Y |
| 11 | E1067150000 | CLIP, PISTON PIN | 2 | Y |
| 12 | P1067110000 | PISTON PIN | 1 | Y |
| 13 | E10673100001 | PISTON RING | 2 | Y |
| 14 | NA | WASHER, CRANK PIN | 2 | |
| | | | | |
| | | | | |
| | | | | |
| | | | | |
| | | | | |
| | | | | |
| | | | | |
| | | | | |
| | | | | |
| | | | | |
| | | | | |
| | | | | |
| | | | | |
| | | | | |
| | | | | |

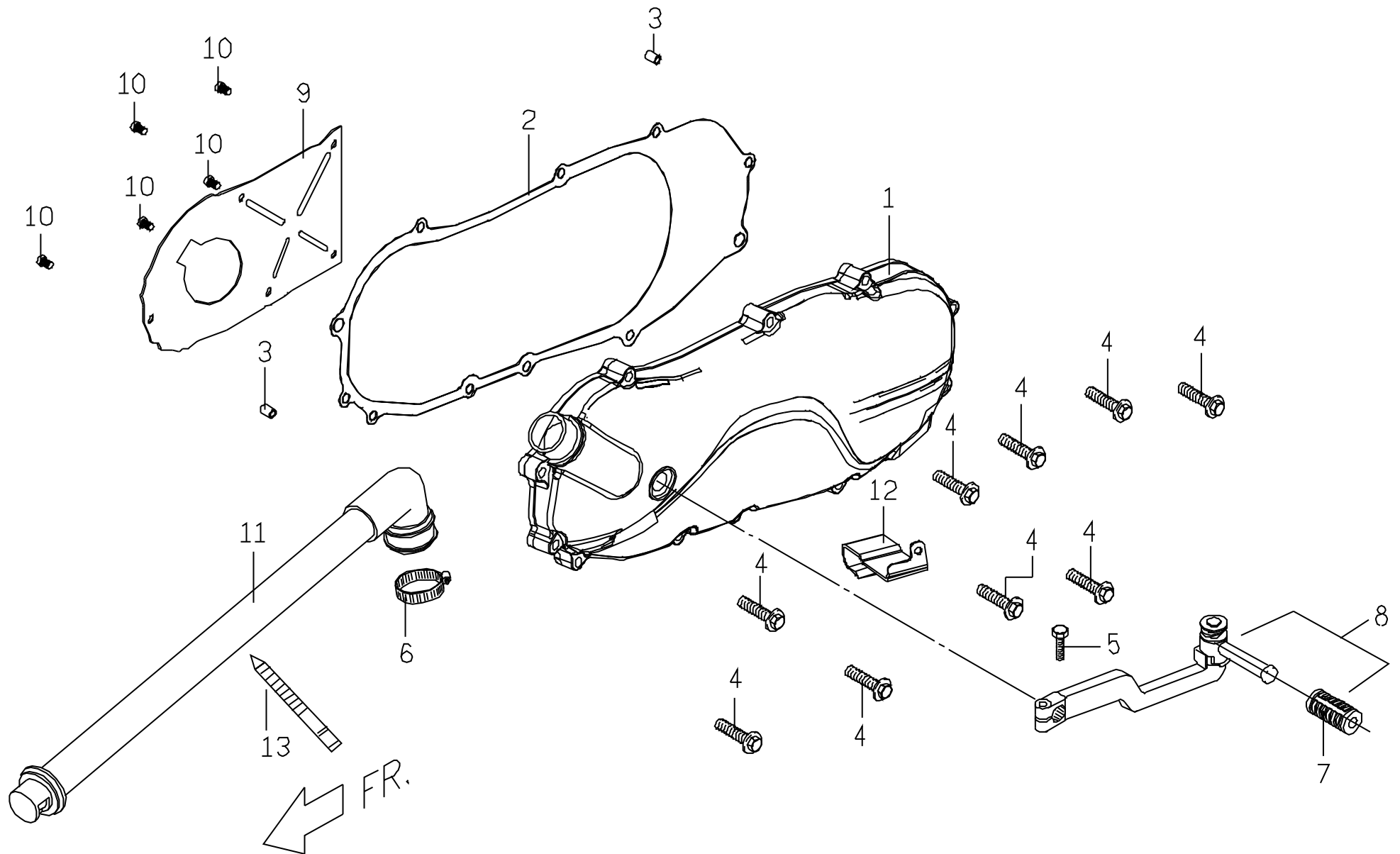
E6 被驅動面皮帶輪組合
BELT PULLEY COMP., DRIVEN FACE



E6. BELT PULLY COMP. DRIVEN FACE(Black Cat & Rattler 50)

| NO. | PART NO. | PART NAME | Q'TY | FMSP |
|------------|-----------------|------------------------------------|-------------|-------------|
| 1 | P1123701000 | BELT PULLY COMP, DRIVEN FACE | 1 | Y |
| 2 | P1123410000 | NUT | 1 | |
| 3 | P1123601000 | DRIVE PLATE COMP | 1 | Y |
| 4 | P1123300000 | BODY COMP., DRIVE PLATE | 1 | |
| 5 | P1123420000 | DAMPER RUBBER, CLUTCH | 3 | |
| 6 | P1123430000 | SPRING , CLUTCH | 3 | |
| 7 | P1123441000 | WEIGHT SET, CLUTCH | 3 | |
| 8 | 92140600008 | PLAIN WASHER | 3 | |
| 9 | 92180500000 | RETAINING RING, E TYPE | 3 | |
| 10 | P1123330000 | COLLAR, SPRING | 1 | |
| 11 | P1123520000 | SPRING, DRIVEN FACE | 1 | |
| 12 | P1123530000 | SEALED SOCKET | 1 | |
| 13 | 95513600000 | O RING | 1 | |
| 14 | 95514000001 | O RING | 1 | |
| 15 | 95593439300 | OLI SEAL , G TYPE | 2 | |
| 16 | P1123240000 | PIN, GUIDE ROLLER | 3 | |
| 17 | P1123210000 | BODY COMP, MOVABLE DRIVEN FACE | 1 | |
| 18 | 96520690100 | DEEP GROOVE BALL BEARING, ONE SEAL | 1 | |
| 19 | 92162400000 | RETAINING RING, C TYPE | 1 | |
| 20 | P1123110000 | BODY COMP, DRIVEN FACE | 1 | |
| 21 | E1123140000 | NIDDLE BEARING | 1 | |
| 22 | P1123510000 | OUTER BODY COMP., CLUTCH | 1 | Y |
| 23 | 92041000001 | HEXAGON FLANGE NUT | 1 | Y |
| 24 | P1122000000 | V BELT | 1 | Y |
| 25 | 92141000001 | PLAIN WASHER | 1 | |
| | | | | |
| | | | | |

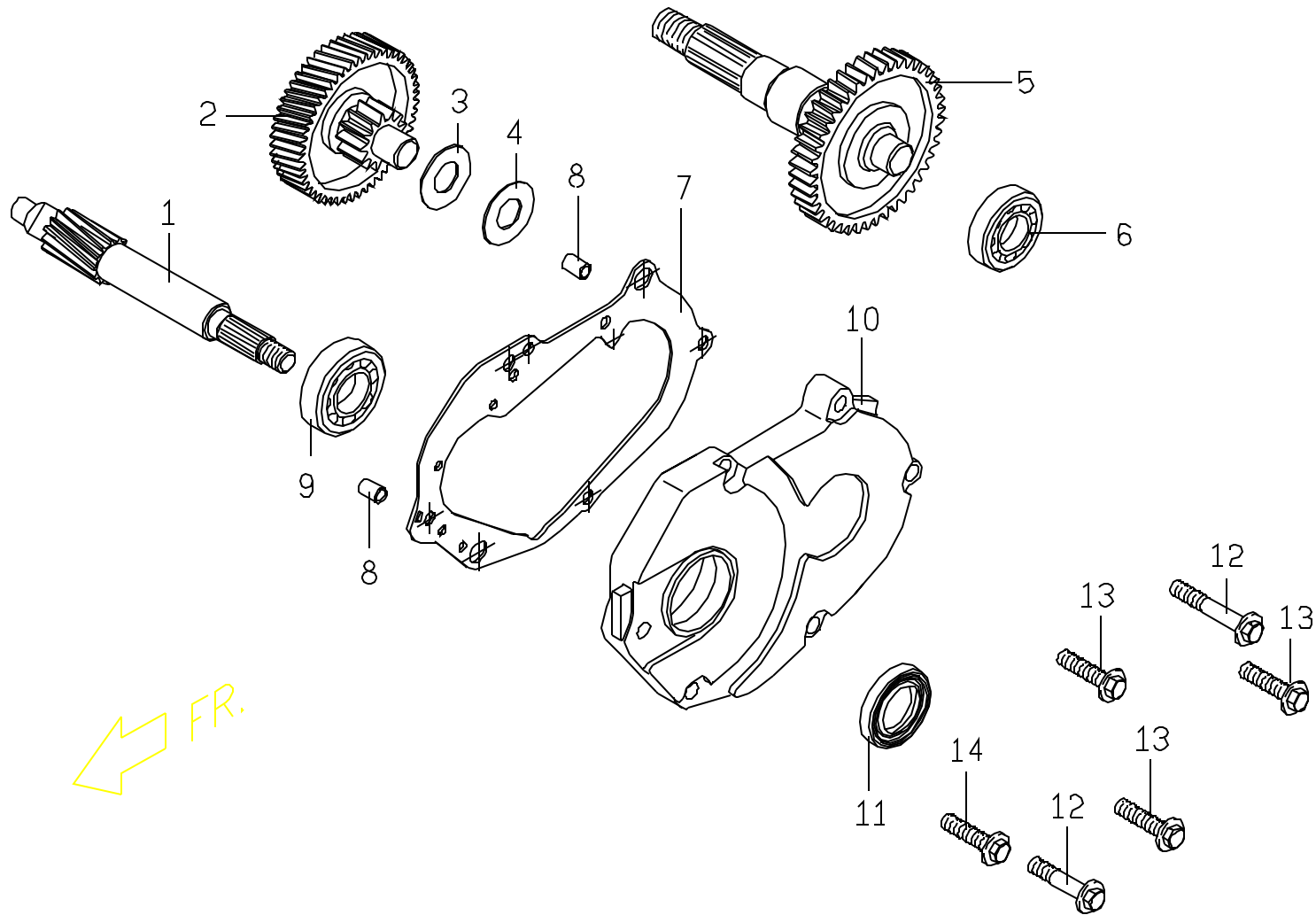
E7 LH. SIDE COVER



E7. LH SIDE COVER(Black Cat & Rattler 50)

| NO. | PART NO. | PART NAME | Q'TY | FMSP |
|------------|-----------------|------------------------------|-------------|-------------|
| 1 | P10630117201 | LH SIDE COVER | 1 | Y |
| 1 | P10630117204 | LH SIDE COVER | 1 | Y |
| 1 | P10630117G04 | LH SIDE COVER | 1 | Y |
| 1 | P10630116D04 | LH SIDE COVER | 1 | Y |
| 2 | P10630210001 | GASKET, LH SIDE COVER | 1 | Y |
| 3 | 93541001401 | LOCK PIN | 2 | |
| 4 | 90190603502 | HEXAGON FLANGE BOLT | 10 | |
| 5 | 90020602203 | FASTENING BOLT, KICK STARTER | 1 | |
| 6 | E1706280000 | HOSE CLAMP | 2 | |
| 7 | E1251240000 | RUBBER PAD, KICK STARTER | 1 | |
| 8 | P1251200000 | ARM COMP., KICK STARTER | 1 | Y |
| 9 | P1063060000 | PARTITION PLATE | 1 | |
| 10 | 90050500900 | C-R ROUND HD MACHINE SCREW | 5 | |
| 11 | P5063030000 | BREATHER PIPE | 1 | Y |
| 12 | P2706030000 | CLIP, RR BRAKE WIRE | 1 | Y |
| 13 | E1701031000 | PLASTIC BAND | 1 | |
| | | | | |
| | | | | |
| | | | | |
| | | | | |
| | | | | |
| | | | | |
| | | | | |
| | | | | |
| | | | | |
| | | | | |
| | | | | |
| | | | | |
| | | | | |
| | | | | |
| | | | | |
| | | | | |
| | | | | |
| | | | | |
| | | | | |
| | | | | |
| | | | | |
| | | | | |

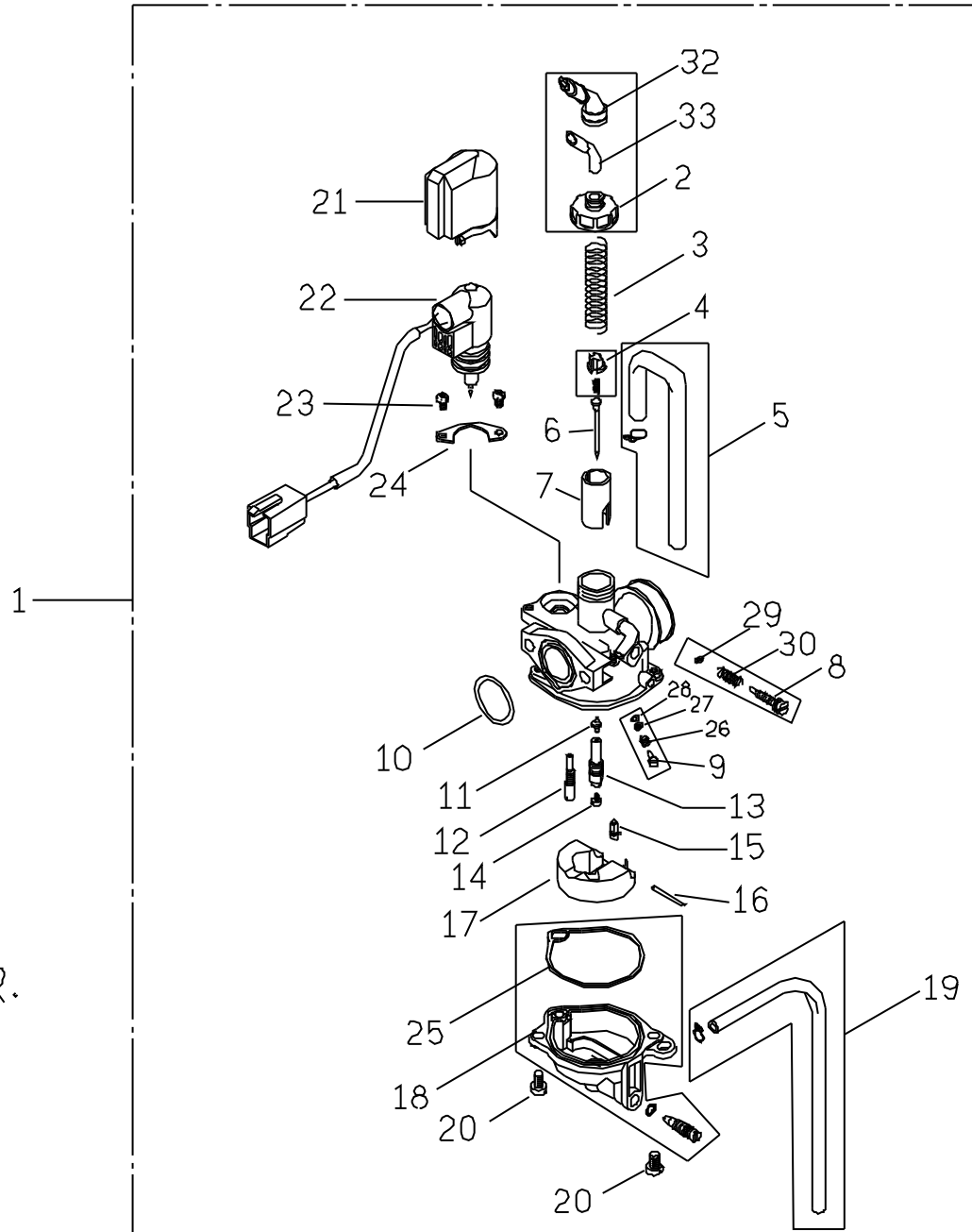
E8 傳動系
TRANSMISSION



E8. TRANSMISSION(Black Cat & Rattler 50)

| NO. | PART NO. | PART NAME | Q'TY | FMSP |
|------------|-----------------|---------------------------|-------------|-------------|
| 1 | P1141101000 | DRIVE SHAFT | 1 | |
| 2 | P1141200000 | IDLE GEAR COMP. | 1 | |
| 3 | P1141230000 | DISK SPRING WASHER | 1 | |
| 4 | 92141400003 | PLAIN WASHER | 1 | |
| 5 | P1141302000 | FINAL GEAR COMP. | 1 | Y |
| 6 | 96510620200 | BALL BEARING | 1 | Y |
| 7 | P1141021000 | TRANSMISSION COVER GASKET | 1 | Y |
| 8 | 93541001401 | LOCK PIN | 2 | |
| 9 | 96510620301 | BALL BEARING | 1 | Y |
| 10 | P1141010000 | TRANSMISSION COVER | 1 | |
| 11 | 95571735700 | OIL SEAL TC TYPE | 1 | Y |
| 12 | 90190603500 | HEXAGON FLANGE BOLT | 2 | |
| 13 | 90180602500 | HEXAGON FLANGE BOLT | 3 | |
| 14 | 90180602000 | HEXAGON FLANGE BOLT | 1 | |
| | | | | |
| | | | | |
| | | | | |
| | | | | |
| | | | | |
| | | | | |
| | | | | |
| | | | | |
| | | | | |
| | | | | |
| | | | | |
| | | | | |
| | | | | |
| | | | | |
| | | | | |

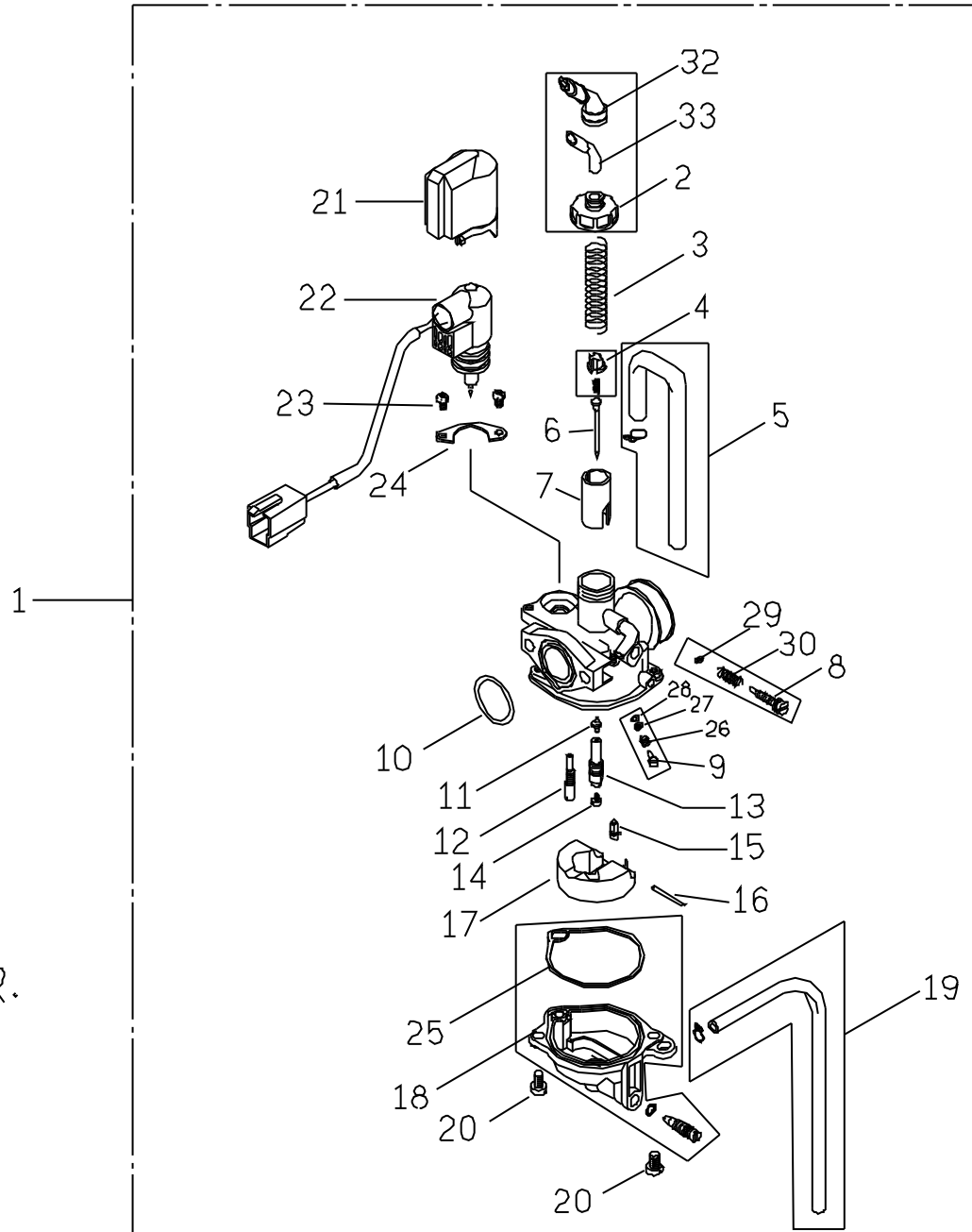
E9.2 化油器
CARBURETOR



E9. CARBURETOR / (Black Cat & Rattler 50)

| NO. | PART NO. | PART NAME | Q'TY | FMSP |
|------------|-------------------|-----------------------|-------------|-------------|
| 1 | P11510020000 | CARBURETOR ASSY. | 1 | |
| 2 | D1590-TA1-0100 | TOP SET | 1 | |
| 3 | 1300-KG8H-9000 | SPG., COMP. | 1 | |
| 4 | 1019-GW3H-9800 | PLATE SET | 1 | |
| 5 | 16199-GY6-9000 | TUBE SET | 1 | |
| 6 | KT425-KLE-9000 | JET NEEDLE | 1 | |
| 7 | 1020-GWOH-9200 | THROTTLE VALVE | 1 | |
| 8 | D1535-858-0100 | SCREW (S.S) | 1 | |
| 9 | 1014-GWOH-9200 | SCREW (A.S) | 1 | |
| 10 | 16076-KG8-9010-M1 | O RING | 1 | |
| 11 | 1010-GAKH-9200 | NEEDLE JET | 1 | |
| 12 | 1001-GW3H-0351 | SLOW JET | 1 | |
| 13 | N413-32A00 | HOLDER, NEEDLE JET | 1 | |
| 14 | 99101-116-0820 | JET, MAIN | 1 | |
| 15 | 106B-KG8H-9801 | FLOAT VALVE SET | 1 | |
| 16 | 16152-KG8-9010-M1 | PIN, ARM | 1 | |
| 17 | 105B-073H-9931 | FLOAT SET | 1 | |
| 18 | N350-31H00 | FLOAT CHAMBER SET | 1 | |
| 19 | 16147-MN9-0040 | TUBE SET | 1 | |
| 20 | 93892-04014-18 | SCREW, WASHER | 2 | |
| 21 | D1783-838-0100 | CAP HOLDER | 1 | |
| 22 | 4000-023-0001 | AUTO BYSTARTER SET | 1 | |
| 23 | 93892-04008-18 | SCREW, WASHER | 2 | |
| 24 | 1703-GJ2H-0040 | PLATE SET | 1 | |
| 25 | 1051-KG8H-9010 | FLOAT CHAMBER GASKET | 1 | |
| 26 | 1300-KG8H-9010 | COMPRESSION SPRING,AS | 1 | |

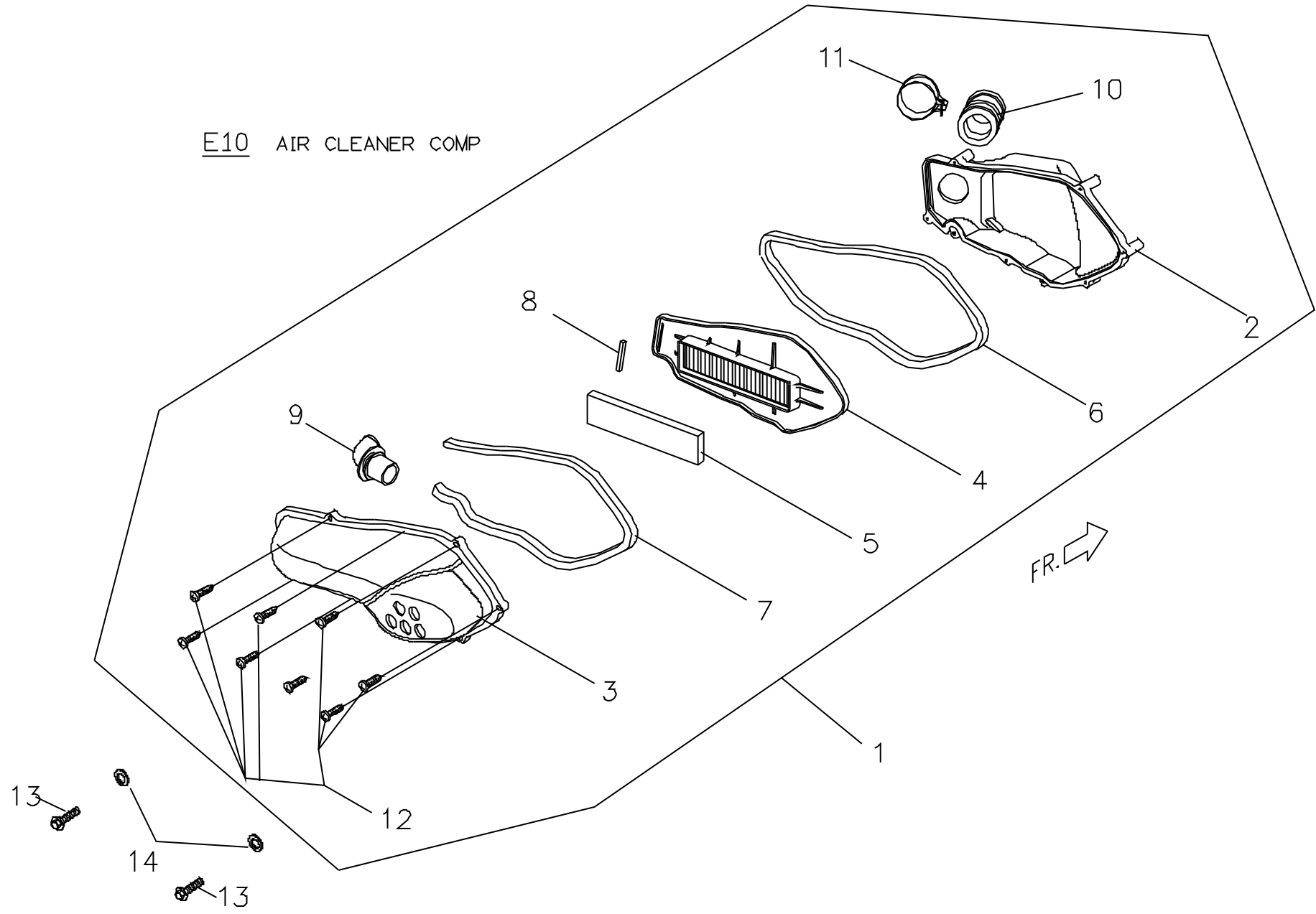
E9.2 化油器
CARBURETOR



E9. CARBURETOR / (Black Cat & Rattler 50)

| NO. | PART NO. | PART NAME | Q'TY | FMSP |
|------------|-----------------------|-------------------------------|-------------|-------------|
| 27 | 1795-KG8H-9010 | PLAIN WASHER, AS | 1 | |
| 28 | 16075-KG8-9010-M1 | O-RING, AS | 1 | |
| 29 | 16076-ND5-0040 | O-RING, SS | 1 | |
| 30 | 1300-KG8H-Q010 | COMPRESSION SPRING, SS | 1 | |
| 31 | 1300-GW3H-Q800 | COMPRESSION SPRING, PLATE SET | 1 | |
| 32 | 1028-GB4H-0030 | CABLE SEALING CAP | 1 | |
| 33 | 1031-181H-8310 | TOP GASKET | 1 | |
| | | | | |
| | | | | |
| | | | | |

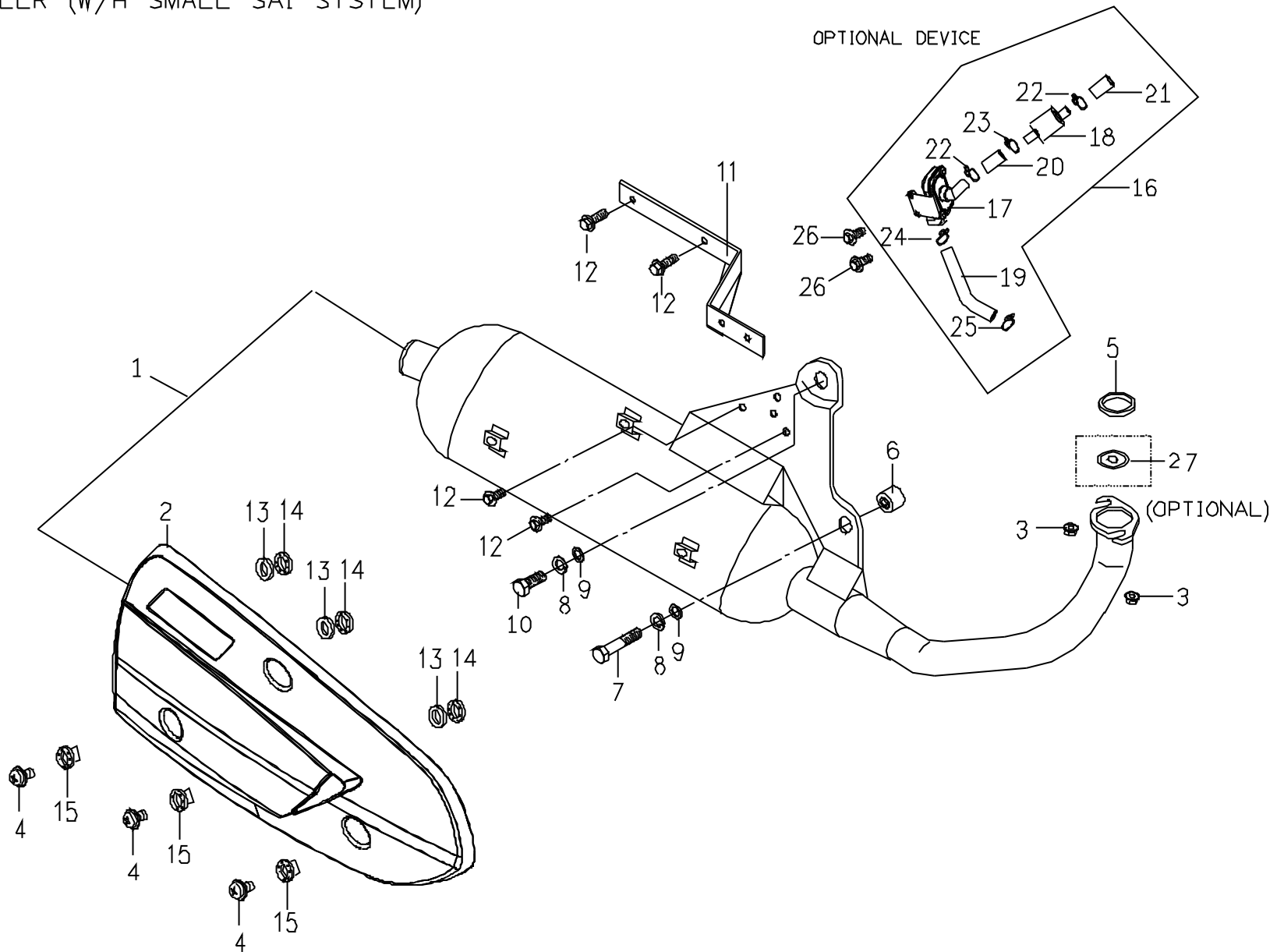
E10 AIR CLEANER COMP



E10. AIR CLEANER COMP (Black Cat & Rattler 50)

| NO. | PART NO. | PART NAME | Q'TY | FMSP |
|-----|-------------|------------------------------|------|------|
| 1 | P2262003000 | AIR CLEANER COMP. | 1 | Y |
| 2 | P2262012000 | BODY, AIR CLEANER | 1 | |
| 3 | P2262021000 | COVER, AIR CLEANER | 1 | |
| 4 | P2262030000 | SPONGE, AIR CLEANER | 1 | Y |
| 5 | P2262040000 | SPONAGE | 1 | |
| 6 | P226B050000 | PACKING, AIR CLEANER | 1 | |
| 7 | P226B060000 | PACKING, AIR CLEANER | 1 | |
| 8 | P226B070000 | PACKING, AIR CLEANER | 1 | |
| 9 | P2262060000 | AIR HOSE | 1 | |
| 10 | P1262080000 | CONNECTING PIPE, AIR CLEANER | 1 | |
| 11 | P1262110000 | CLAMP | 1 | |
| 12 | 90150502500 | C-R ROUND HD SCREW | 7 | |
| 13 | 90180602500 | HEXAGON FLANGE BOLT | 2 | |
| 14 | 92140600005 | PLAIN WASHER | 2 | |
| | | | | |
| | | | | |
| | | | | |
| | | | | |
| | | | | |
| | | | | |
| | | | | |
| | | | | |
| | | | | |
| | | | | |
| | | | | |
| | | | | |
| | | | | |

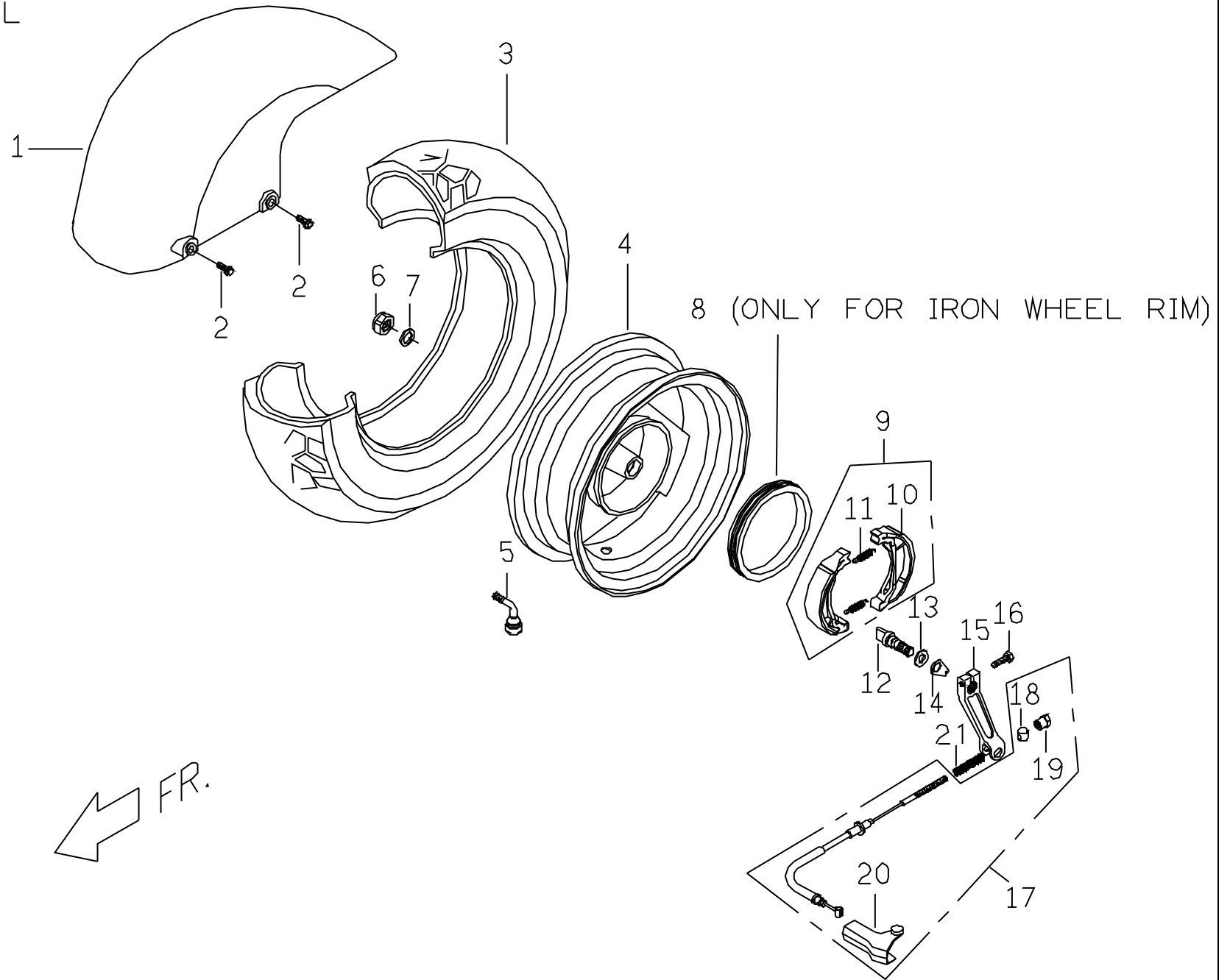
E11.1 MUFFLER (W/H SMALL SAI SYSTEM)



E11. MUFFLER (Black Cat & Rattler 50)

| NO. | PART NO. | PART NAME | Q'TY | FMSP |
|------------|---------------------|------------------------------------|-------------|-------------|
| 1 | P228100000S | MUFFLER ASSY. | 1 | Y |
| 1 | P228100000P | MUFFLER ASSY. | 1 | Y |
| 2 | C12810100004 | OUTSIDE HEAT PROTECTOR ASSY | 1 | Y |
| 2 | C12810100006 | OUTSIDE HEAT PROTECTOR ASSY | 1 | Y |
| 3 | 92050600003 | HEXAGON FLANGE NUT | 2 | Y |
| 4 | 90050602000 | BOLT, MUFFLER HEAT PROTECTOR | 3 | |
| 5 | E9281020000 | GASKET, MUFFLER | 1 | Y |
| 6 | E1062020000 | DAMPER BUSH | 1 | |
| 7 | 90190804003 | HEXAGON BOLT | 1 | |
| 8 | 92110800000 | SPRING WASHER | 2 | |
| 9 | 92140800000 | PLAIN WASHER | 2 | |
| 10 | 90190802600 | HEXAGON BOLT | 1 | |
| 11 | P2634020000 | FENDER BRACKET,RR | 1 | Y |
| 12 | 90180602000 | HEXAGON FLANGE BOLT (M6*20L) | 4 | |
| 13 | C328A040000 | CIRCLET | 3 | |
| 14 | 92140600015 | HIGH TEMPERATURE PLAIN WASHER | 3 | |
| 15 | C328A020000 | INNER SPACER | 3 | |
| 16 | P22861010003 | SECOND AIR CLEANER ASSY. | 1 | |
| 17 | P2286350000 | SECOND AIR REED VALVE ASSY. | 1 | |
| 18 | P0286230000 | SILENCER | 1 | |
| 19 | P22861100005 | AIR TUBE A | 1 | |
| 20 | P0286340000 | AIR TUBE C | 1 | |
| 21 | P02861200001 | AIR TUBE B | 1 | |
| 23 | 92211700000 | CLIP | 1 | |
| 25 | 92212000000 | CLIP | 1 | |
| 26 | 90190501201 | HEXAGON FLANGE BOLT | 2 | |
| 27 | 92141200010 | PLAIN WASHER (12mm) | 1 | |
| | | | | |

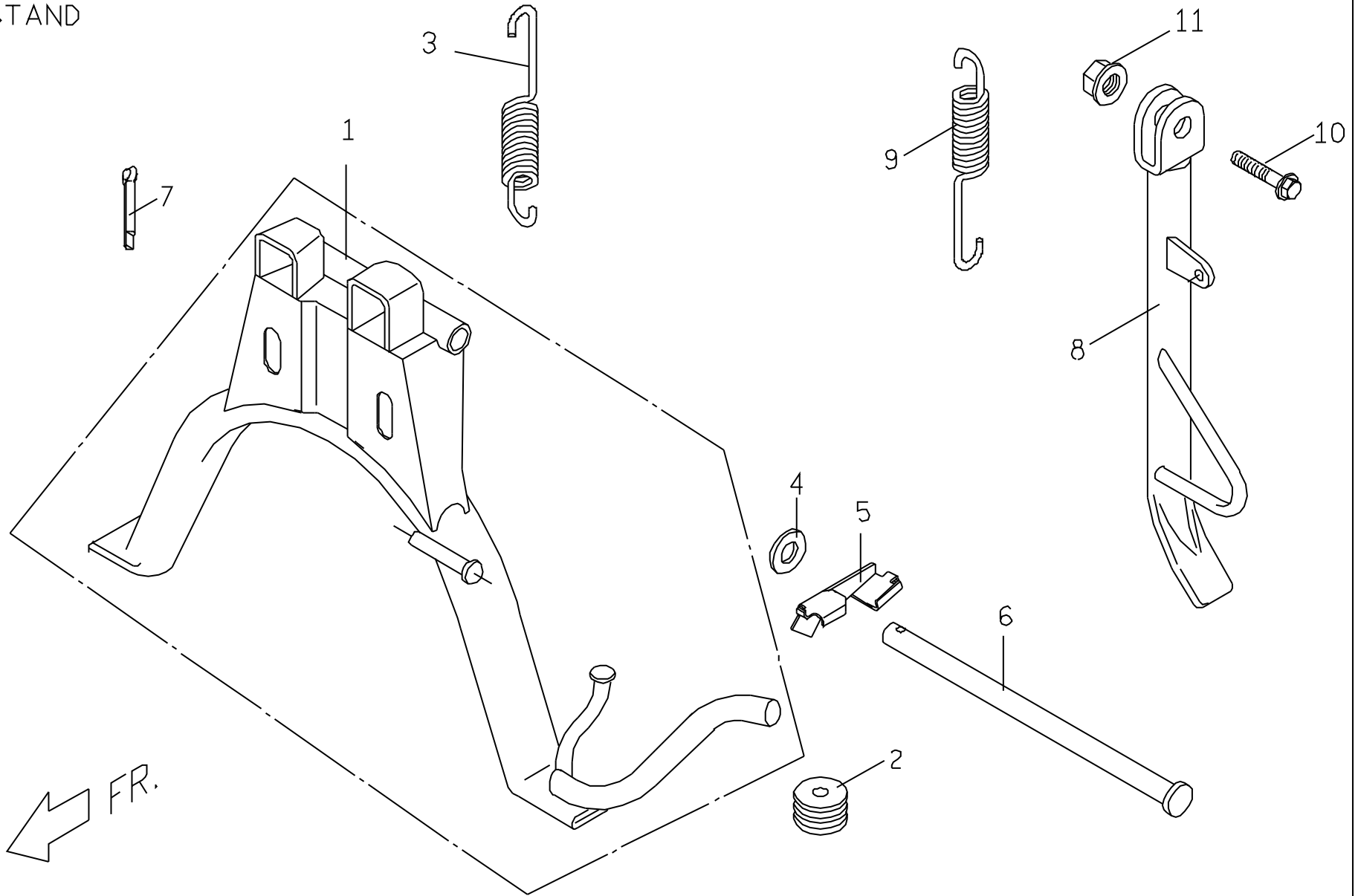
E12 REAR WHEEL



E12. REAR WHEEL(Black Cat & Rattler 50)

| NO. | PART NO. | PART NAME | Q'TY | FMSP |
|-----------|---------------------|-----------------------------|----------|----------|
| 1 | P2634000650 | REAR FENDER | 1 | Y |
| 2 | 90180602000 | HEXAGON FLANGE BOLT | 2 | |
| 3 | P140G3200001 | TIRE 130/90-10 | 1 | Y |
| 3 | P140G320000 | TIRE 130/90-10 | 1 | Y |
| 4 | P14071046D0 | RR WHEEL COMP. | 1 | Y |
| 4 | P14071041E0 | RR WHEEL COMP. | 1 | Y |
| 5 | P140B330000 | VALVE | 1 | |
| 6 | 92011600000 | U TYPE NUT | 1 | Y |
| 7 | 92141700001 | PLAIN WASHER | 1 | |
| 8 | E1407010000 | DUSTPROOF RING | 1 | |
| 9 | E14074000002 | BRAKE SHOE ASSY. | 1 | Y |
| 10 | NA | BRAKE SHOE COMP. | 2 | |
| 11 | E1407410000 | SPRING, BRAKE SHOE | 2 | |
| 12 | E1407440000 | CAM, REAR BRAKE | 1 | |
| 13 | 95511000002 | AEPE WASHER | 1 | |
| 14 | E1407450000 | INDICATOR, RR BRAKE | 1 | |
| 15 | P1407471000 | ARM, REAR BRAKE | 1 | |
| 16 | 90020602203 | HEXAGON BOLT | 1 | |
| 17 | P2544400000N | CABLE ASSY, RR BRAKE | 1 | Y |
| 17 | P0544401000H | CABLE ASSY, RR BRAKE | 1 | Y |
| 18 | E1544440000 | PIN | 1 | |
| 19 | E1544410000 | ADJUST NUT, CABLE | 1 | |
| 20 | NA | PROTECTING COVER | 1 | |
| 21 | C154D110000 | SPRING, RR BRAKE ARM | 1 | |
| | | | | |
| | | | | |
| | | | | |
| | | | | |
| | | | | |
| | | | | |
| | | | | |

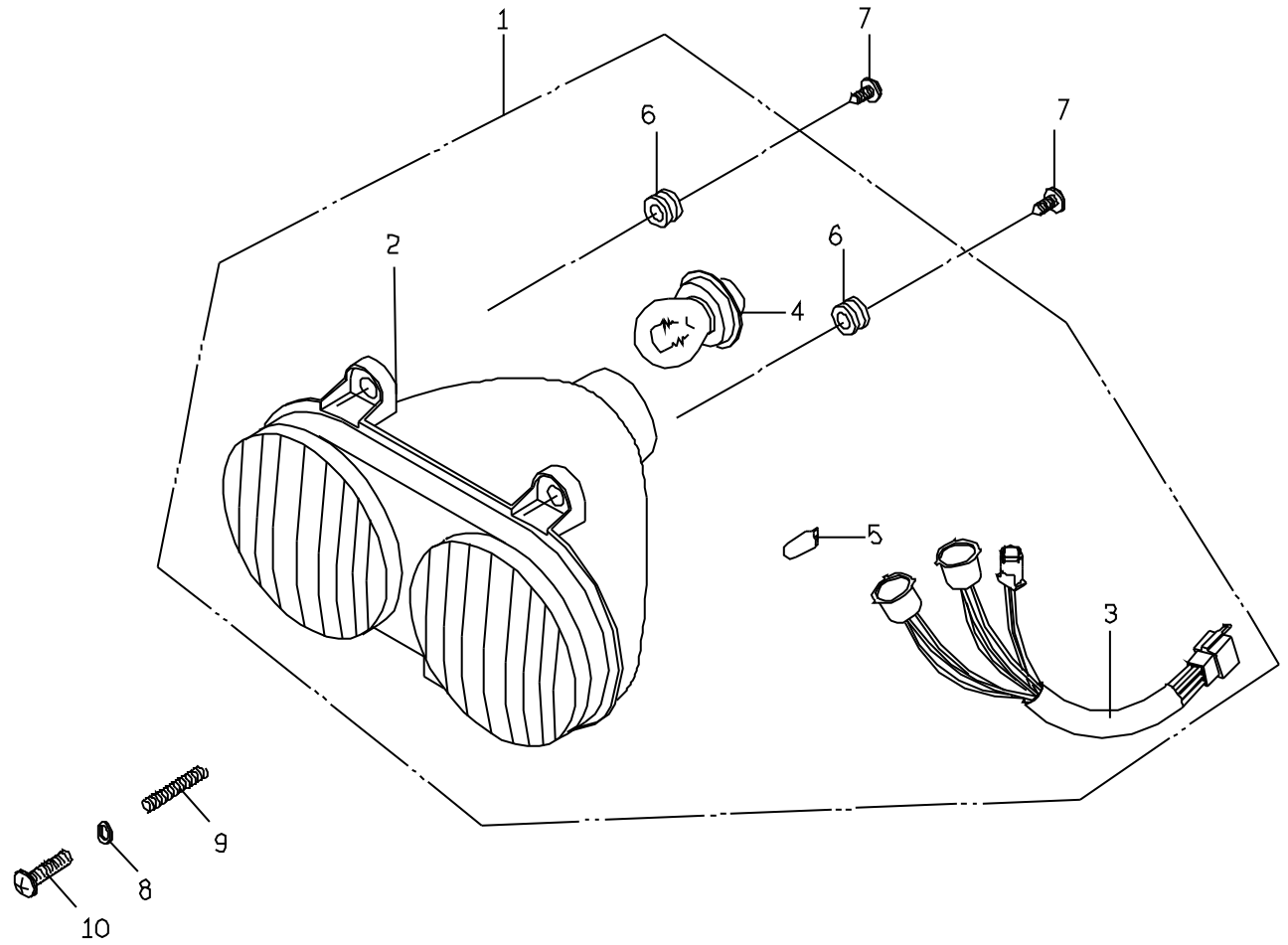
E13 STAND



E13. STAND (Black Cat & Rattler 50)

| NO. | PART NO. | PART NAME | Q'TY | FMSP |
|------------|-----------------|------------------------------|-------------|-------------|
| 1 | P2461002600 | CENTER STAND ASSY. | 1 | Y |
| 2 | P146A011000 | RUBBER DAMPING, CENTER STAND | 1 | Y |
| 3 | P1461120000 | SPRING, CENTER STAND | 1 | Y |
| 4 | P1701070000 | RUBBER WASHER | 2 | |
| 5 | P1407482000 | RR BRAKE FIXING PLATE | 1 | |
| 6 | E1461110000 | CENTER STAND FIXING PIN | 1 | |
| 7 | 93561010000 | "R" TYPE PIN | 1 | |
| 8 | P1462001600 | SIDE STAND COMP. | 1 | Y |
| 9 | E1461121000 | SIDE STAND SPRING | 1 | Y |
| 10 | 90191002800 | HEXAGON FLANGE BOLT | 1 | |
| 11 | 92061000000 | U TYPE NUT | 1 | |
| | | | | |
| | | | | |
| | | | | |
| | | | | |
| | | | | |
| | | | | |
| | | | | |
| | | | | |
| | | | | |
| | | | | |
| | | | | |
| | | | | |
| | | | | |
| | | | | |
| | | | | |
| | | | | |
| | | | | |
| | | | | |
| | | | | |
| | | | | |

F1 HEAD LIGHT



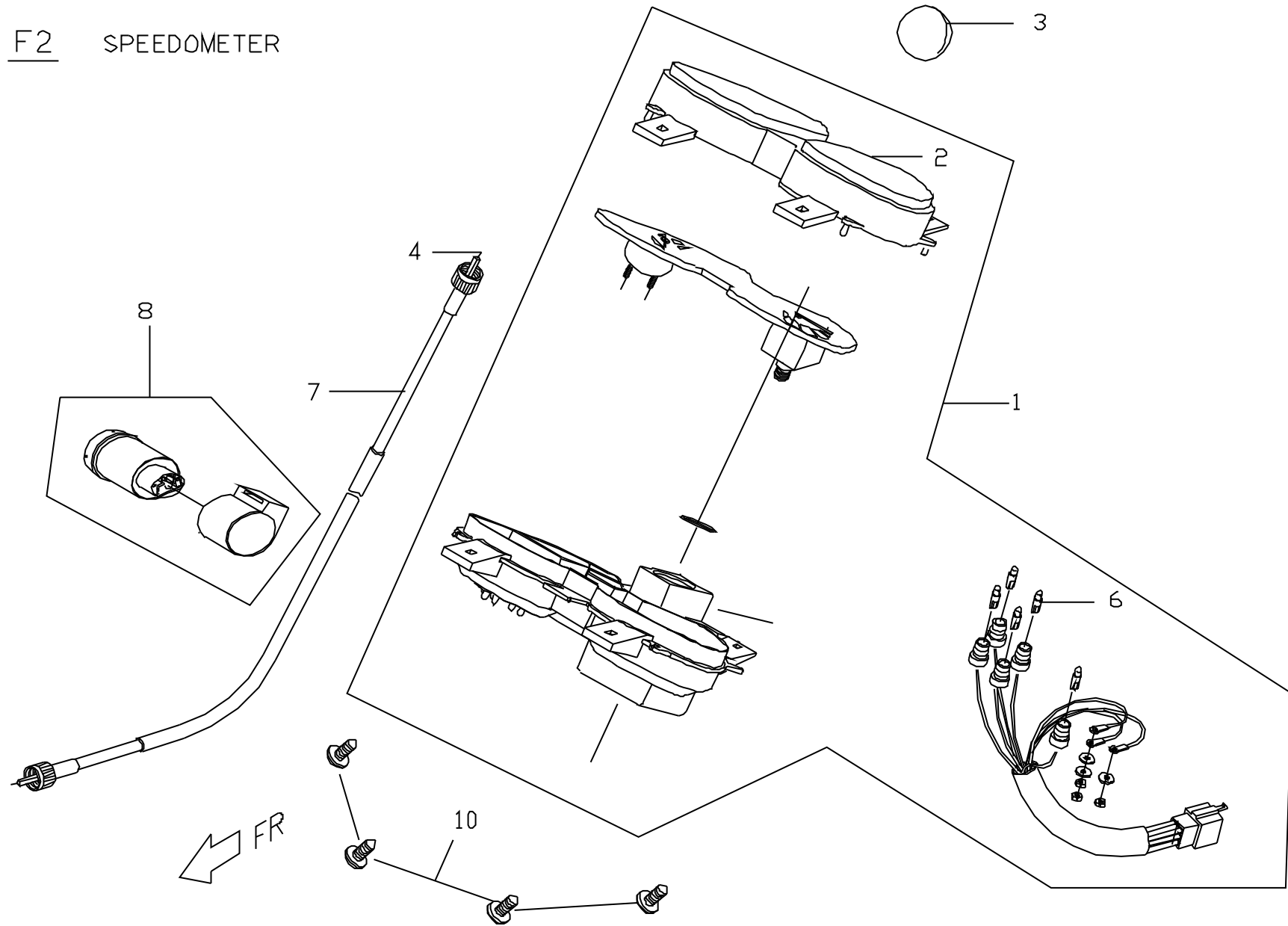
F1. HEAD LIGHT (BLACK CAT)

| NO. | PART NO. | PART NAME | Q'TY | FMSP |
|------------|--------------------|---------------------------------|-------------|-------------|
| 1 | P2661000001 | HEAD LAMP ASSY. | 1 | Y |
| 2 | P266A1200001 | LAMP COVER | 1 | |
| 3 | P266A0300001 | CONNECTING WIRE, HEAD LAMP | 1 | |
| 4 | 98121235351 | BULB (35W) | 1 | Y |
| 5 | P266A0600001 | BULB(5W) | 1 | |
| 6 | P166A030000 | RUBBER BUSH | 2 | |
| 7 | 90130501400 | C-R RECESS PAN HD TAPPING SCREW | 2 | |
| 8 | 92140600005 | PLAIN WASHER | 1 | |
| 9 | P1706530000 | COMPRESSION SPRING | 1 | |
| 10 | 90050407000 | ADJUSTING BOLT | 1 | |
| | | | | |

F1. HEAD LIGHT (BLACK CAT)

| NO. | PART NO. | PART NAME | Q'TY | FMSP |
|------------|--------------------|---------------------------------|-------------|-------------|
| 1 | P2661000002 | HEAD LAMP ASSY. | 1 | Y |
| 2 | P266A0200002 | LAMP COVER | 1 | |
| 3 | P266A0100002 | CONNECTING WIRE, HEAD LAMP | 1 | |
| 4 | 98151235351 | BULB (35W) | 1 | Y |
| 5 | 98231205001 | BULB(5W) | 1 | |
| 6 | P166A030000 | RUBBER BUSH | 2 | |
| 7 | 90130501400 | C-R RECESS PAN HD TAPPING SCREW | 2 | |
| 8 | 92140600005 | PLAIN WASHER | 1 | |
| 9 | P1706530000 | COMPRESSION SPRING | 1 | |
| 10 | 90050407000 | ADJUSTING BOLT | 1 | |
| | | | | |
| | | | | |

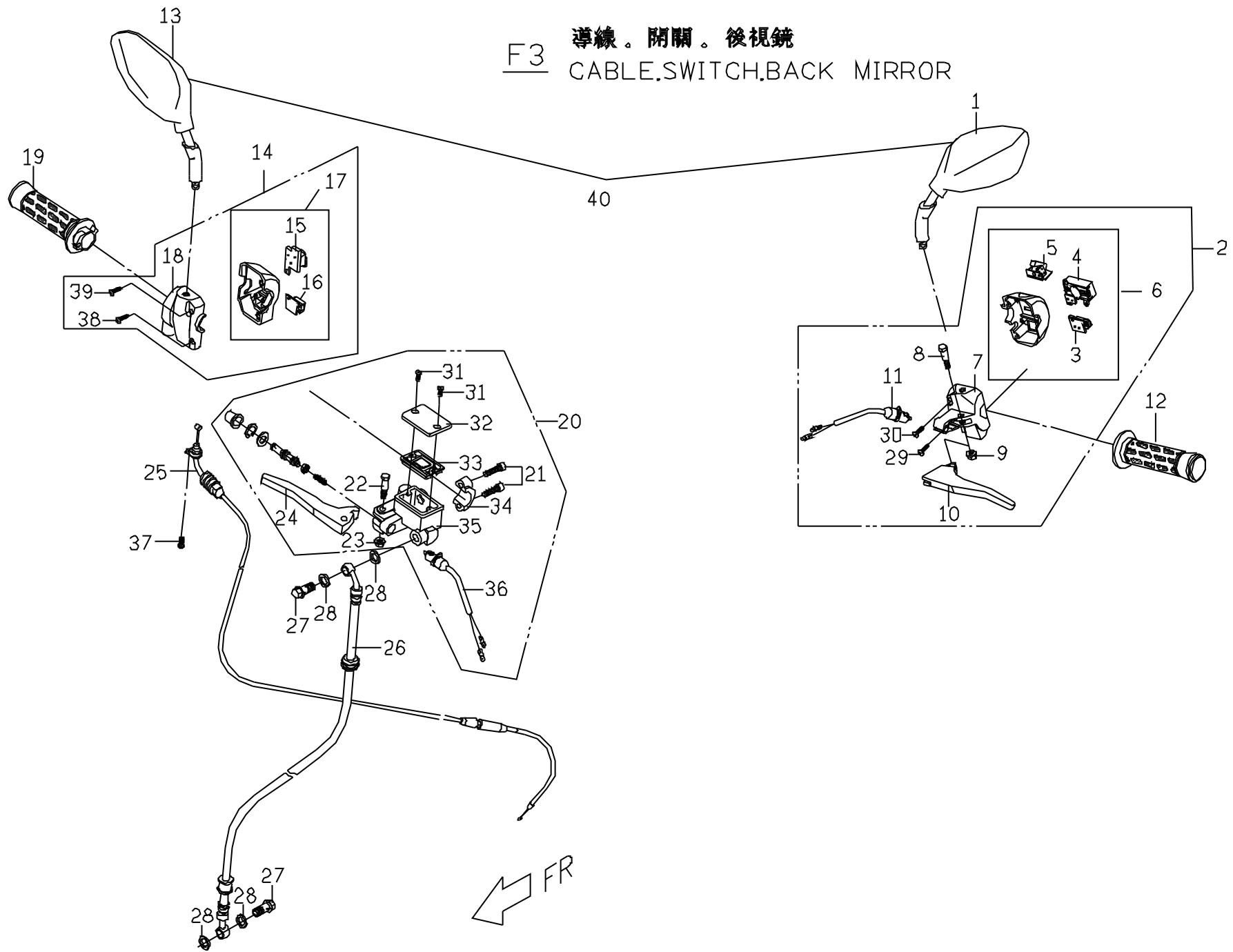
F2 SPEEDOMETER



F2. SPEEDOMETER (BLACK CAT)

| NO. | PART NO. | PART NAME | Q'TY | FMSP |
|------------|-----------------|--------------------------|-------------|-------------|
| 1 | P2561000004 | SPEEDOMETER ASSY. | 1 | Y |
| 2 | P256A010000 | SPEEDOMETER COVER, UPPER | 1 | |
| 3 | NA | PGO LOGO STICKER | 1 | |
| 4 | NA | INNER WIRE | 1 | |
| 5 | P2701010000 | RUBBER BRACKET | 1 | |
| 6 | E1561030000 | BULB | 5 | |
| 7 | P1544005000 | SPEEDOMETER CABLE ASSY. | 1 | Y |
| 8 | C15860000000 | FLASHER RELAY ASSY. | 1 | Y |
| 10 | 90110401600 | TAPPTNG SCREW | 4 | |
| | | | | |
| | | | | |
| | | | | |
| | | | | |
| | | | | |
| | | | | |
| | | | | |
| | | | | |
| | | | | |
| | | | | |
| | | | | |
| | | | | |
| | | | | |
| | | | | |
| | | | | |
| | | | | |
| | | | | |
| | | | | |
| | | | | |
| | | | | |
| | | | | |
| | | | | |

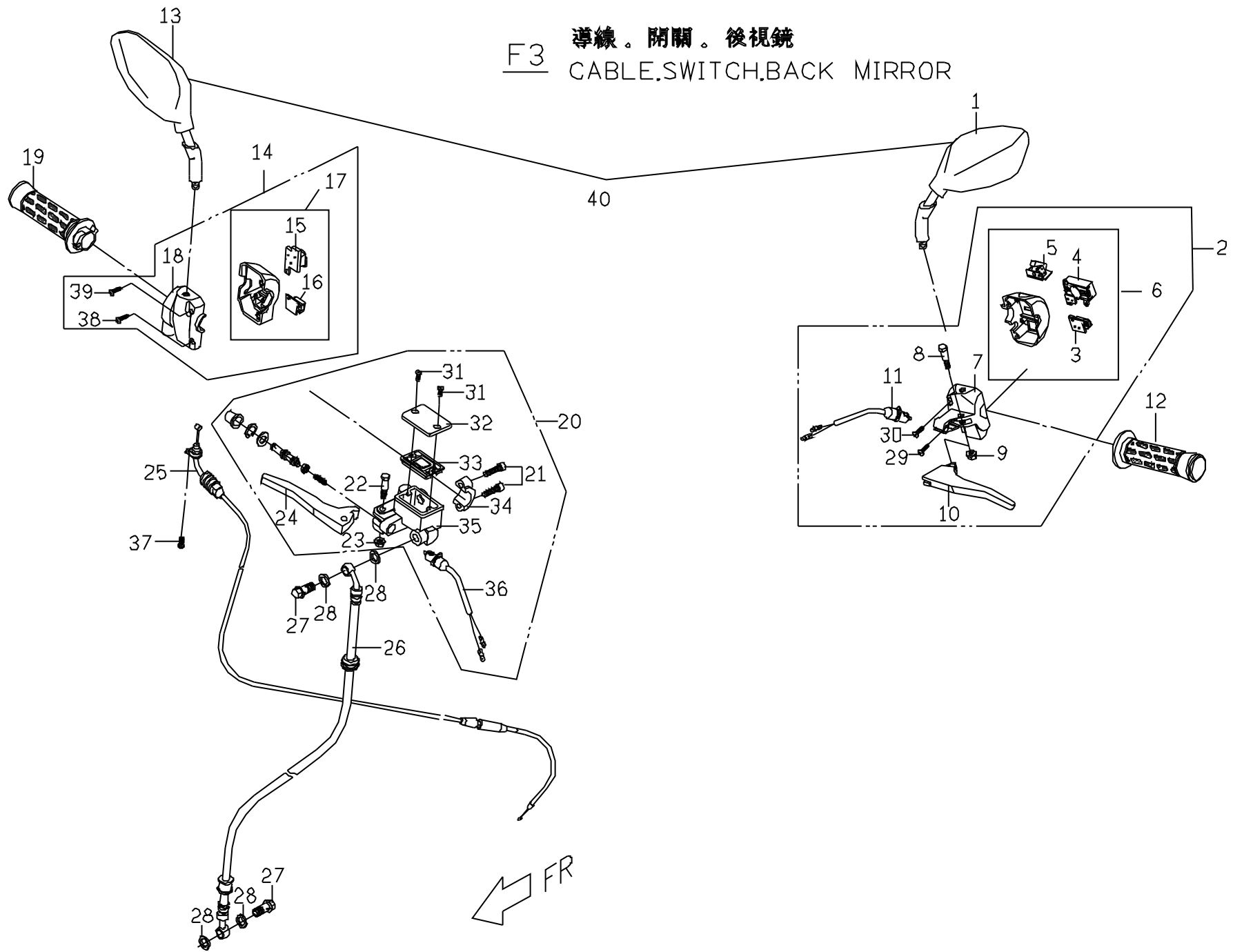
F3 導線。閉關。後視鏡
CABLE.SWITCH.BACK MIRROR



F3. CABLE.SWITCH.BACK MIRROR (BLACK CAT)

| NO. | PART NO. | PART NAME | Q'TY | FMSP |
|-----------|---------------------|----------------------------------|----------|----------|
| 1 | P261F010000 | LH BACK MIRROR | 1 | |
| 2 | P2546003000 | LEVER HOLDER ASSY, LF | 1 | Y |
| 3 | --- | HORN SWITCH | 1 | |
| 4 | --- | SIGNAL LAMP SWITCH | 1 | |
| 5 | --- | HI/LO LAMP SWITCH | 1 | |
| 6 | P154F410000 | CASE, SWITCH UNDER, 2 COMP | 1 | |
| 7 | P154F020000 | CASE, SWITCH UNDER, 1 | 1 | |
| 8 | P154F030000 | BOLT | 1 | |
| 9 | P154F040000 | LOCK NUT | 1 | |
| 10 | P2543300000 | LEVER, LH BRAKE | 1 | |
| 11 | C2548220000 | RR BRAKE SWITCH COMP. | 1 | |
| 12 | P05410010000 | LH GRIP ASSY. | 1 | Y |
| 13 | P261F020000 | RH BACK MIRROR | 1 | Y |
| 14 | P25480000001 | LEVER HOLDER ASSY., RIGHT | 1 | Y |
| 14 | P65480000000 | LEVER HOLDER ASSY,RH | 1 | Y |
| 15 | --- | HEAD LAMP SWITCH | 1 | |
| 16 | --- | START SWITCH | 1 | |
| 17 | P254H0100001 | CASE, SWITCH UNDER 2 COMP | 1 | |
| 18 | P154H020000 | CASE, SWITCH UNDER 1 | 1 | |
| 19 | P05420010000 | RH GRIP ASSY. | 1 | Y |
| 20 | P24030010000 | FR BRAKE MASTER CYLINDER | 1 | Y |
| 21 | P140C250000 | HEXAGON SOCKET HEAD BOLT | 2 | |
| 22 | P140C220000 | BOLT | 1 | |
| 23 | P140C230000 | FLANGE NUT | 1 | |
| 24 | P2543600000 | LEVER, RH BRAKE | 1 | |
| 25 | P1544603000 | CABLE ASSY., THROTTLE | 1 | Y |
| 26 | P1403603000 | FRONT BRAKE FLUID HOSE COMP. | 1 | Y |
| 27 | P14038110000 | JOINT BOLT, BRAKE HOSE | 2 | |

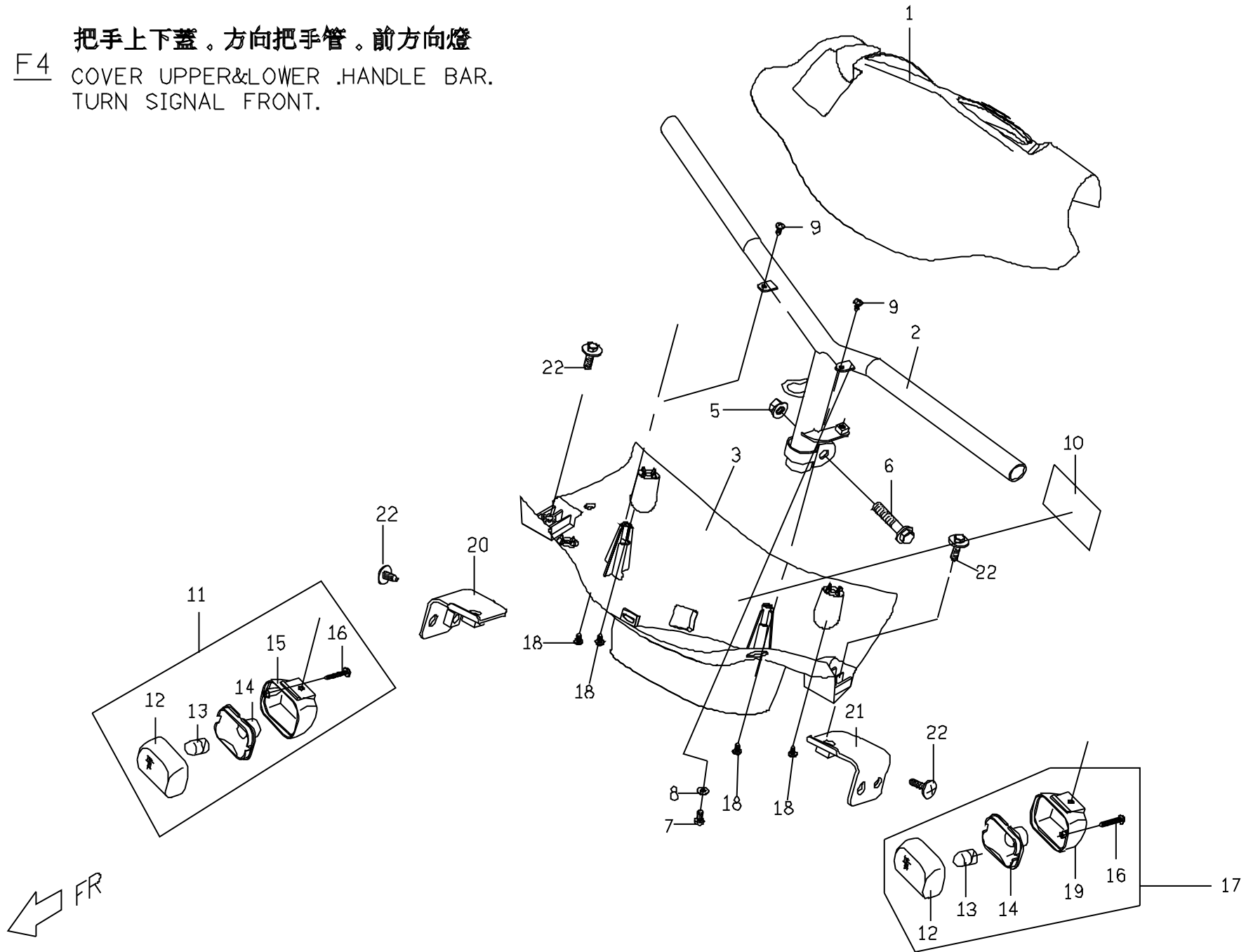
F3 導線。閉關。後視鏡
CABLE.SWITCH.BACK MIRROR



F3. CABLE.SWITCH.BACK MIRROR (BLACK CAT)

| NO. | PART NO. | PART NAME | Q'TY | FMSP |
|-----|--------------|---------------------------------|------|------|
| 28 | 92141000002 | PLAIN WASHER | 4 | |
| 29 | P154F390000 | SCREW, PAN HD | 1 | |
| 30 | P154F400000 | SCREW, PAN HD | 1 | |
| 31 | P140C130000 | SCREW | 2 | |
| 32 | P140C120000 | CAP, RESERVOIR | 1 | |
| 33 | P140C110000 | DIAPHRAGM, RESERVOIR | 1 | |
| 34 | P140C240000 | BRACKET, MASTER CYLINDER | 1 | |
| 35 | NA | MASTER CYLINDER | 1 | |
| 36 | M25480300000 | SAFETY SWITCH ASSY. | 1 | |
| 37 | 90050501200 | C-R RECESS PAN HD TAPPING SCREW | 1 | |
| 38 | P154H180000 | C-R ROUND HD SCREW | 1 | |
| 39 | P154H170000 | C-R ROUND HD SCREW | 1 | |
| 40 | P2616000000 | BACK MIRROR ASSY | 1 | Y |
| | | | | |
| | | | | |
| | | | | |
| | | | | |
| | | | | |
| | | | | |
| | | | | |
| | | | | |
| | | | | |
| | | | | |
| | | | | |
| | | | | |
| | | | | |
| | | | | |
| | | | | |
| | | | | |
| | | | | |
| | | | | |
| | | | | |
| | | | | |
| | | | | |
| | | | | |
| | | | | |
| | | | | |
| | | | | |
| | | | | |
| | | | | |
| | | | | |
| | | | | |
| | | | | |
| | | | | |

F4 把手上下蓋。方向把手管。前方向燈
COVER UPPER&LOWER .HANDLE BAR.
TURN SIGNAL FRONT.

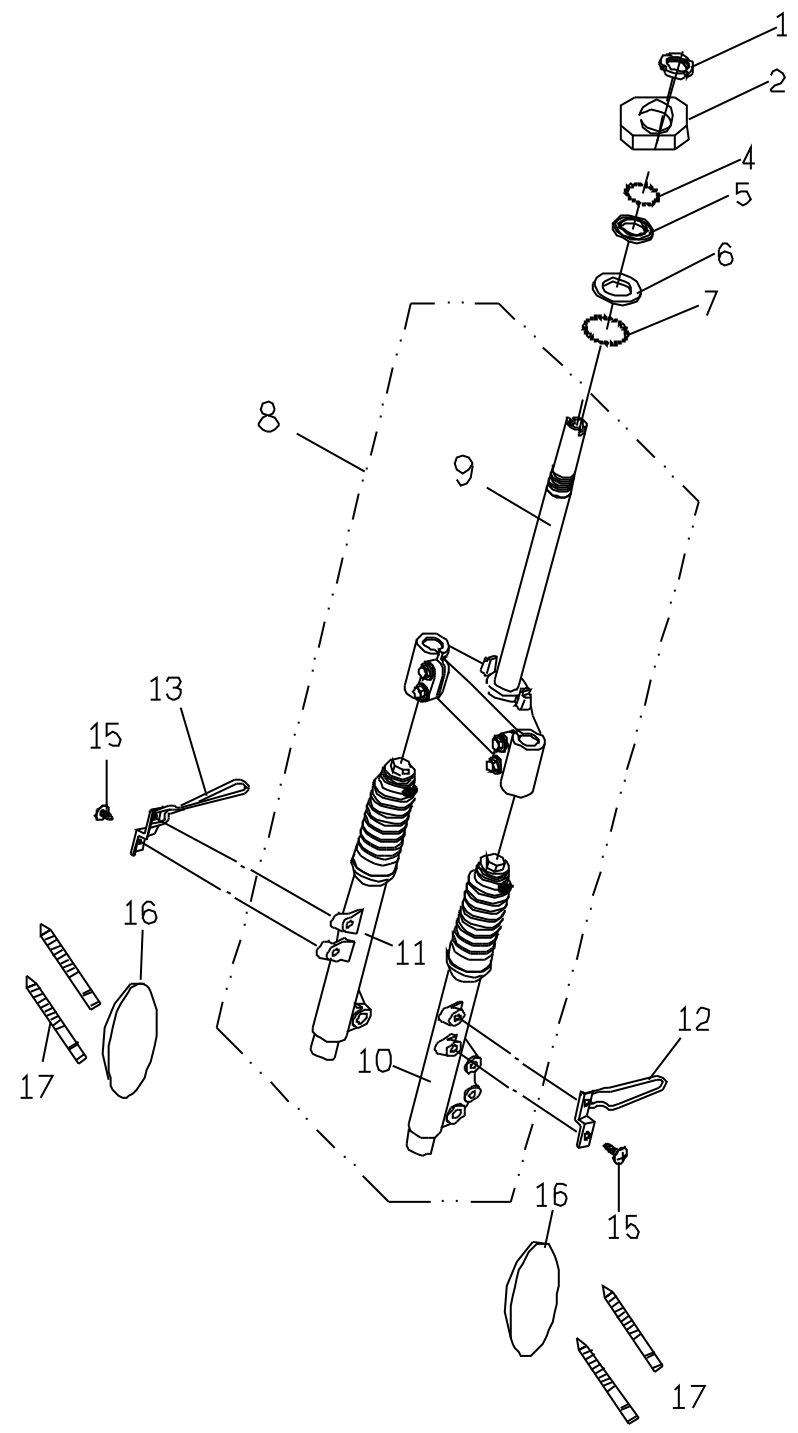
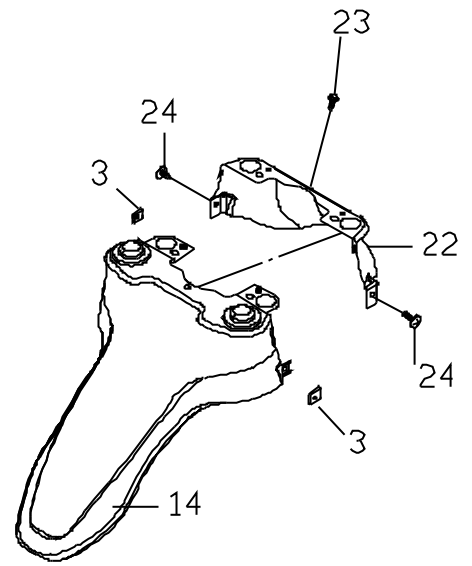


F4. COVER UPPER&LOWER. (BLACK CAT)

| NO. | PART NO. | PART NAME | Q'TY | FMSP |
|------------|---------------------|---------------------------------|-------------|-------------|
| 1 | P2613001690 | COVER, UPPER | 1 | Y |
| 2 | P26120016000 | HANDLE BAR ASSY. | 1 | Y |
| 3 | P261D0026500 | COVER, LOWER | 1 | Y |
| 4 | 90190501201 | SCREW WITH WASHER | 2 | |
| 5 | 92061000001 | HEXAGON LOCK NUT | 1 | |
| 6 | 90191004600 | HEXAGON FLANGE BOLT | 1 | |
| 7 | 90040501600 | C-R RECESS PAN HD TAPPING SCREW | 1 | |
| 8 | 92140500014 | PLAIN WASHER | 1 | |
| 9 | 90130501400 | C-R RECESS PAN HD TAPPING SCREW | 2 | |
| 10 | NA | NOTICE STICKER | 1 | |
| 11 | C166D0110003 | RH FR TURN SIGNAL LAMP ASSY. | 1 | Y |
| 12 | C166G0200005 | COVER, SIGNAL LAMP | 2 | |
| 13 | 98211221001 | BULB | 2 | |
| 14 | --- | TURN SIGNAL LAMP COMP. | 2 | |
| 15 | --- | TURN SIGNAL LAMP SHELL, RH | 1 | |
| 16 | C166G0500005 | TAPPING SCREW | 2 | |
| 17 | C166C0110003 | LH FR TURN SIGNAL LAMP ASSY. | 1 | Y |
| 18 | 90110401200 | TAPPING SCREW | 4 | |
| 19 | --- | TURN SIGNAL LAMP SHELL, LH | 1 | |
| 20 | P170F6400000 | FRT SIGNAL LAMP BRACKET, RH | 1 | Y |
| 21 | P17066400000 | FRT SIGNAL LAMP BRACKET, LH | 1 | Y |
| 22 | 90190501201 | CR ROUND HD TAPPING | 4 | |
| | | | | |
| | | | | |
| | | | | |
| | | | | |
| | | | | |

F5 FRONT FORK,FR FENDER

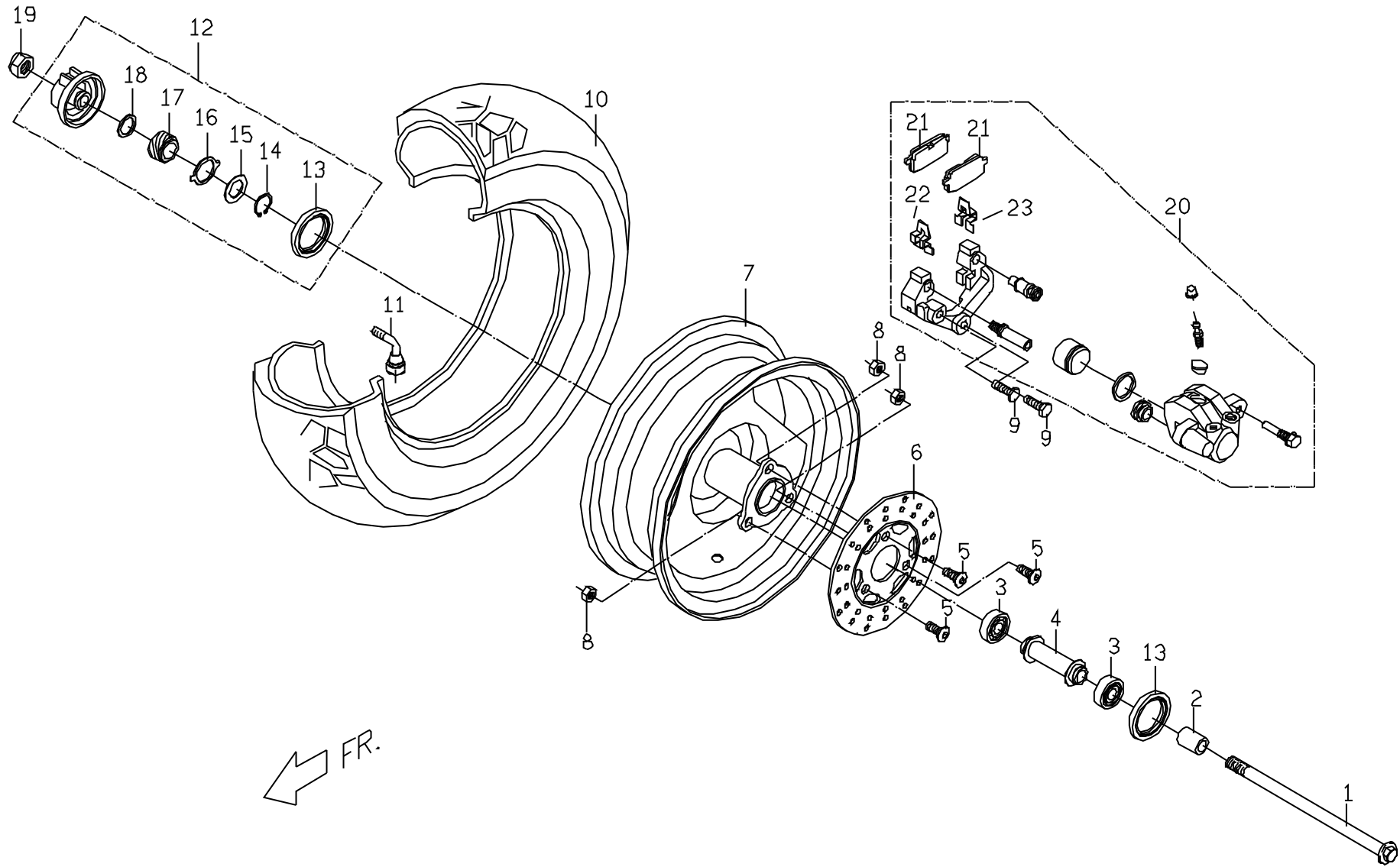
← FR.



F5. FRONT FORK.FR FENDER (BLACK CAT)

| NO. | PART NO. | PART NAME | Q'TY | FMSP |
|------------|-----------------|---------------------------------|-------------|-------------|
| 1 | P1443040000 | STEERING SHAFT LOCK NUT | 1 | Y |
| 2 | P6444051000 | OUTER BEARING CAGE | 1 | Y |
| 3 | 92370500003 | U NUT | 4 | |
| 4 | 99010500000 | BEARING BALL | 22 | |
| 5 | P1443020000 | OUTER BEARING CAGE | 1 | Y |
| 6 | C1443011000 | LOWER INNER BEARING CAGE | 1 | Y |
| 7 | 99010500000 | BEARING BALL | 22 | |
| 8 | P1443002770 | FRONT FORK ASSY. | 1 | Y |
| 9 | P144C010000 | UNDER BRACKET COMP. | 1 | |
| 10 | P144C210000 | LH OUTER TUBE ASSY | 1 | |
| 11 | P144C220000 | RH OUTER TUBE ASSY | 1 | |
| 12 | P2403611000 | CABLE CLIP COMP. LH | 1 | Y |
| 13 | E9544021000 | CABLE CLIP COMP. RH | 1 | Y |
| 14 | P26320012P01 | FRONT FENDER (FRT SECTION) | 1 | Y |
| 15 | 90050601002 | C-R RECESS PAN HD TAPPING SCREW | 2 | |
| 16 | P26690000001 | REFLECTOR,FR | 2 | Y |
| 17 | P1701030000 | CABLE TIE | 4 | Y |
| 22 | P2632601650 | FRONT FENDER (REAR) | 1 | Y |
| 23 | 90190601200 | HEXAGON FLANGE BOLT | 1 | |
| 24 | 90150501600 | TAPPING SCREW | 2 | |
| | | | | |
| | | | | |

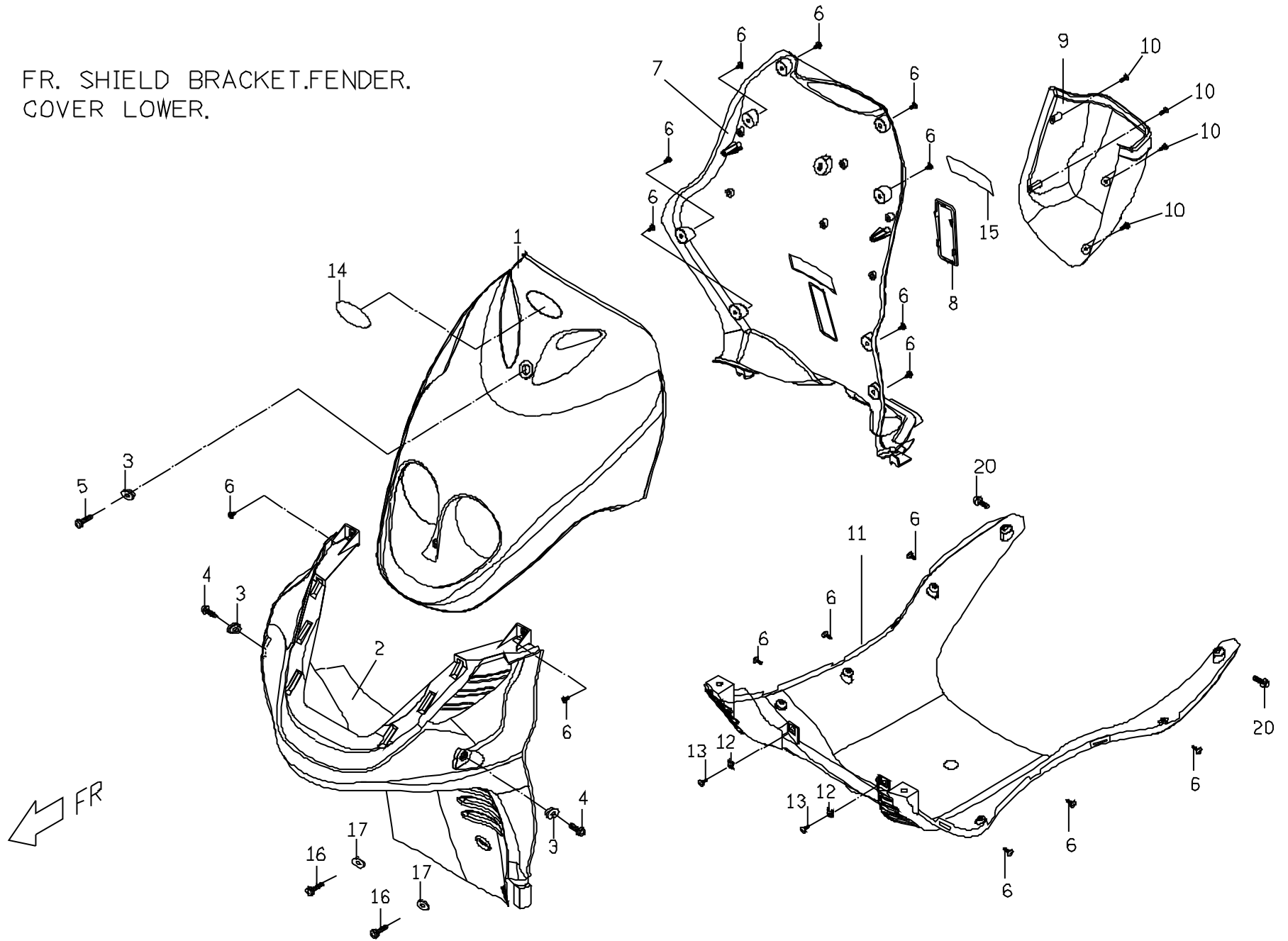
F6 輪胎。前輪圈。碟式煞車夾
TIRE, FRT WHEEL, FRT CALIPER.



F6. TIRE.FRT WHEEL.FRT CALIPER (BLACK CAT)

| NO. | PART NO. | PART NAME | Q'TY | FMSP |
|------------|--------------------|-----------------------------------|-------------|-------------|
| 1 | P1402500000 | FRONT WHEEL SHAFT | 1 | |
| 2 | P1401010000 | SPACER | 1 | |
| 3 | 96520620100 | ONG SHTELD BALL BEARING | 2 | Y |
| 4 | P1402400000 | SPACER COMMP (10" WHEEL) | 1 | |
| 5 | E1403512000 | FRT BRAKE DISK SCREW | 3 | |
| 6 | P1403500000 | FRT BRAKE DISK | 1 | Y |
| 7 | P14011041E0 | FR WHEEL ASSY. | 1 | Y |
| 8 | 92400800000 | LOCK NUT | 3 | |
| 9 | 90190803002 | HEXAGON HEAD BOLT | 2 | |
| 10 | P140B320000 | TIRE 120/70-12 | 1 | Y |
| 11 | P140B330000 | VALVE | 1 | |
| 12 | P1566002000 | Speedometer Gear Comp | 1 | Y |
| 13 | 95572235700 | OIL SEAL | 1 | |
| 14 | 92171800000 | CIRCLIP FOR CRANKCASE CLUTCH SIDE | 1 | |
| 15 | N/A | PLAIN WASHER | 1 | |
| 16 | N/A | TRANSMISSION PLATE | 1 | |
| 17 | N/A | SPEEDOMETER GEAR | 1 | |
| 18 | 92141900002 | PLAIN WASHER | 1 | |
| 19 | 92061200000 | LOCK NUT | 1 | |
| 20 | P1403302000 | FRT CALIPER ASSY | 1 | Y |
| 21 | P140C432000 | PAD (1 SET) | 2 | Y |
| 22 | P140C410000 | YOKE B | 1 | |
| 23 | P140C390000 | YOKE A | 1 | |
| | | | | |
| | | | | |
| | | | | |
| | | | | |

F7 FR. SHIELD BRACKET.FENDER.
COVER LOWER.

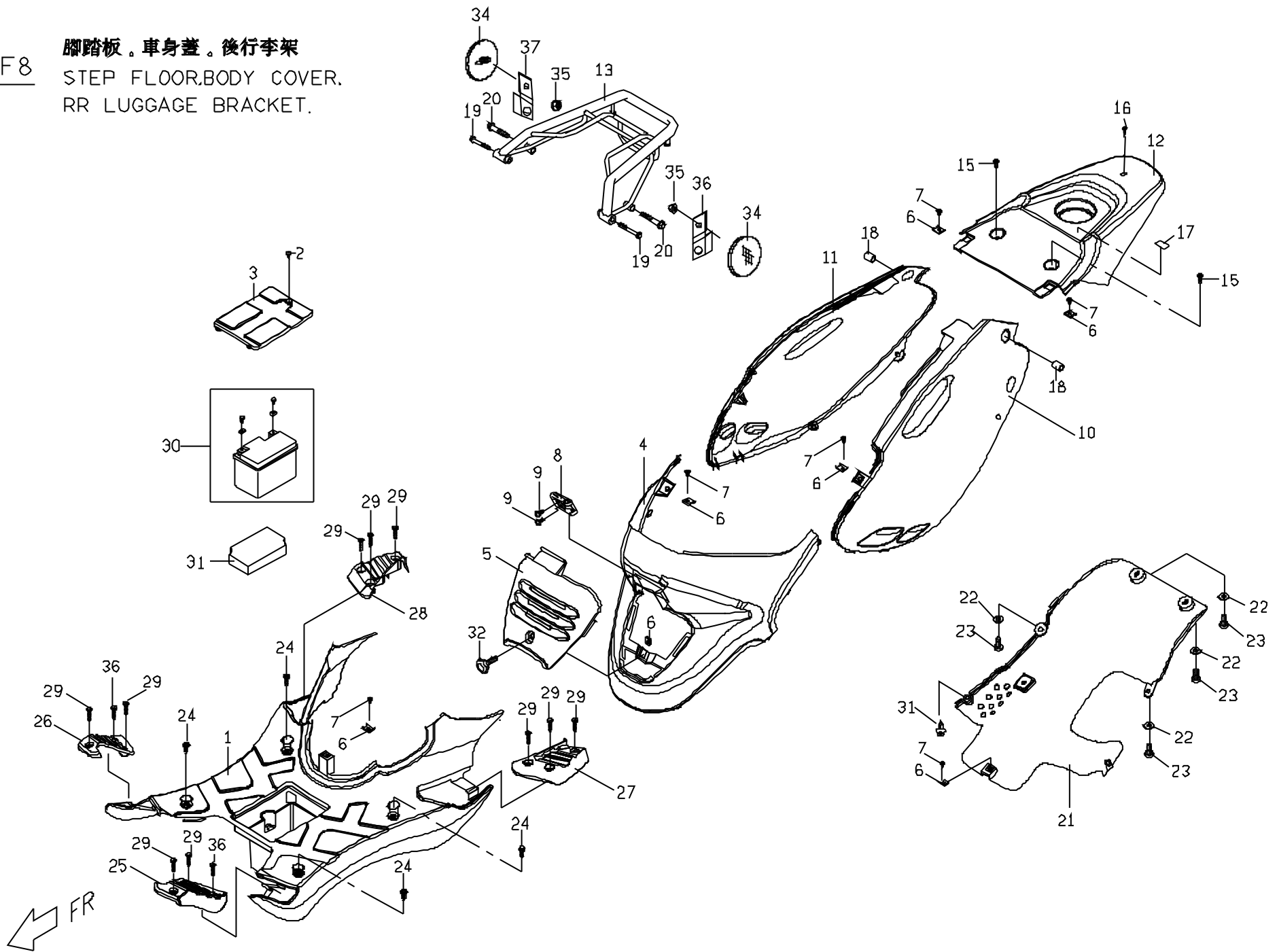


F7. FR. SHIELD BRACKET.FENDER.COVER LOWER (BLACK CAT)

| NO. | PART NO. | PART NAME | Q'TY | FMSP |
|-----|---------------------|---------------------------------|----------|----------|
| 1 | P26210012P0 | WINDSHIELD | 1 | Y |
| 2 | P2626010650 | FR COVER, LOWER | 1 | Y |
| 3 | P1706510000 | BUSH | 3 | |
| 4 | P1621010000 | SCREW WITH WASHER | 2 | |
| 5 | P16210110001 | SCREW WITH WASHER | 1 | |
| 6 | 90130501400 | C-R RECESS PAN HD TAPPING SCREW | 16 | |
| 7 | P262C0036500 | FR INNER COVER | 1 | Y |
| 7 | P262C0036501 | FR INNER COVER | 1 | Y |
| 8 | P16230122P00 | VIN COVER | 1 | Y |
| 9 | P2622000650 | FR LUGGAGE CASE | 1 | Y |
| 10 | 90110401600 | C-R RECESS PAN HD TAPPING SCREW | 4 | |
| 11 | P2626001650 | STEP FLOOR COVER, LOWER | 1 | Y |
| 12 | 92370500003 | U-TYPE SPRING NUT | 2 | |
| 13 | 90150501600 | C-R RECESS PAN HD TAPPING SCREW | 2 | |
| 14 | NA | PGO STICKER | 1 | |
| 15 | NA | PGO DESIGN PAPER | 1 | |
| 16 | 90190601200 | HEXAGON FLANGE BOLT | 2 | |
| 17 | 92140600005 | WASHER | 2 | |
| 20 | 90190601001 | HEXAGON FLANGE BOLT | 2 | |
| | | | | |
| | | | | |
| | | | | |
| | | | | |
| | | | | |
| | | | | |
| | | | | |
| | | | | |
| | | | | |
| | | | | |
| | | | | |
| | | | | |

F8

脚踏板。車身蓋。後行李架
STEP FLOOR, BODY COVER,
RR LUGGAGE BRACKET.

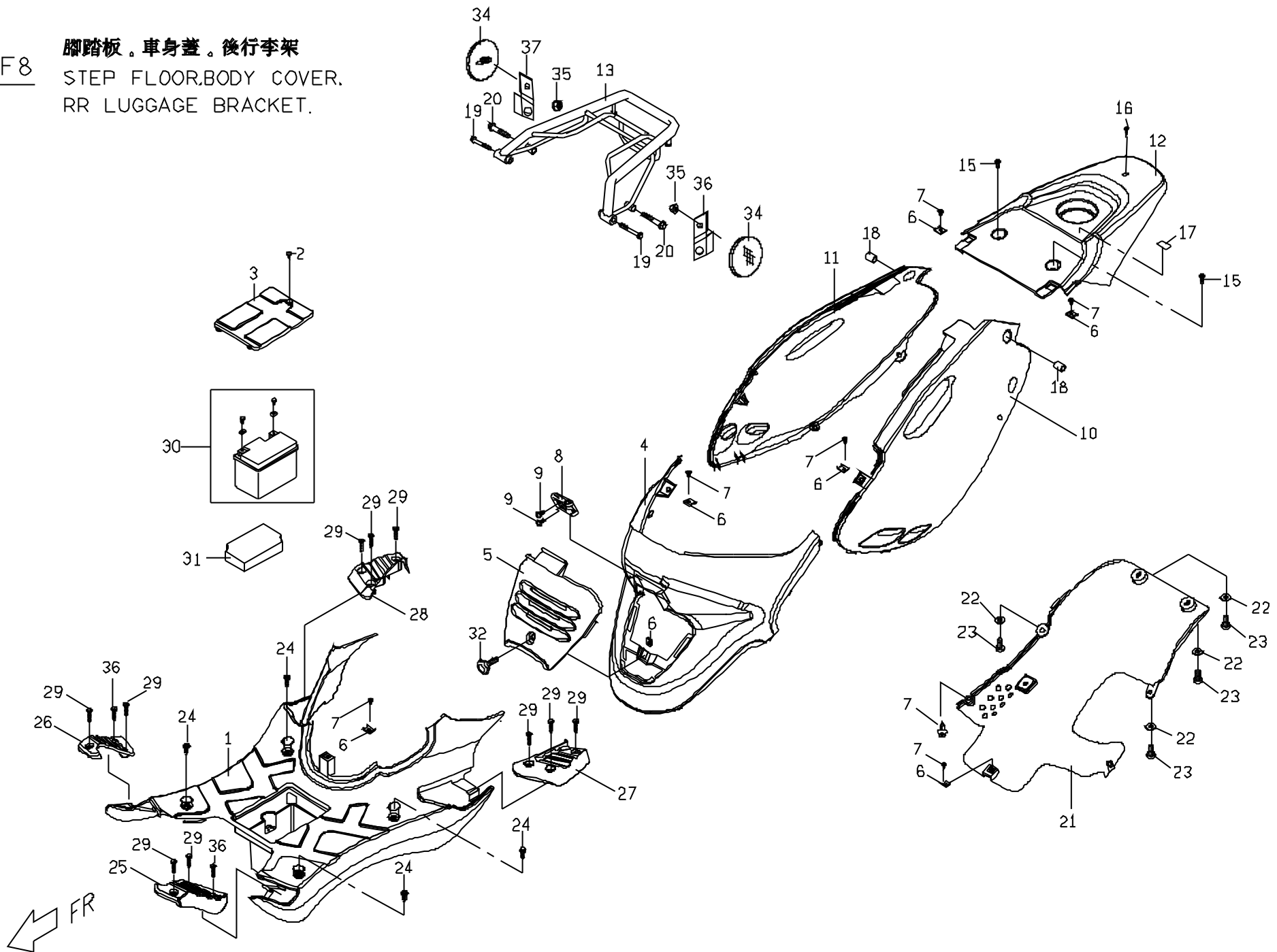


F8. STEP FLOOR.BODY COVER. (BLACK CAT)

| NO. | PART NO. | PART NAME | Q'TY | FMSP |
|------------|-----------------|---------------------------------|-------------|-------------|
| 1 | P26240006501 | STEP FLOOR | 1 | Y |
| 2 | 90130501400 | C-R RECESS PAN HD TAPPING SCREW | 1 | |
| 3 | P2624030650 | BATTERY COVER | 1 | Y |
| 4 | P26250406501 | BODY COVER, FR | 1 | Y |
| 5 | P2625010650 | MIDDLE COVER | 1 | Y |
| 6 | 92370500003 | U-TYPE SPRING NUT | 6 | |
| 7 | 90150501600 | C-R RECESS PAN HD TAPPING SCREW | 6 | |
| 8 | P2701210650 | HELMET HOOK ASSY. | 1 | Y |
| 9 | 90040602003 | FLANGE BOLT | 2 | |
| 10 | P26253012P0 | LH BODY COVER | 1 | Y |
| 11 | P26255002P0 | RH BODY COVER | 1 | Y |
| 12 | P26257002P0 | REAR COVER | 1 | Y |
| 13 | P26760101E0 | RR LUGGAGE BRACKET | 1 | Y |
| 15 | 90190601500 | HEXAGON FLANGE BOLT | 2 | |
| 16 | E1621010000 | SCREW WITH WASHER | 1 | |
| 17 | NA | STICKER, FUEL TYPE | 1 | |
| 18 | P1421480000 | BUSH | 2 | |
| 19 | 90190605002 | HEXAGON FLANGE BOLT | 2 | |
| 20 | 90190805001 | HEXAGON FLANGE BOLT | 2 | |
| 21 | P2625022650 | BODY COVER , LOWER | 1 | Y |
| 22 | 92140600005 | WASHER | 4 | |
| 23 | 90040601400 | C-R RECESS PAN HD TAPPING SCREW | 5 | |
| 24 | 90190602700 | HEXAGON FLANGE BOLT | 4 | |
| 25 | P2624011900 | STEP PLATE, LH FRT | 1 | Y |
| 26 | P262D011900 | STEP PLATE, RH FRT | 1 | Y |
| 27 | P2624020900 | STEP PLATE, LH RR | 1 | Y |
| 28 | P262D020900 | STEP PLATE, RH RR | 1 | Y |

F8

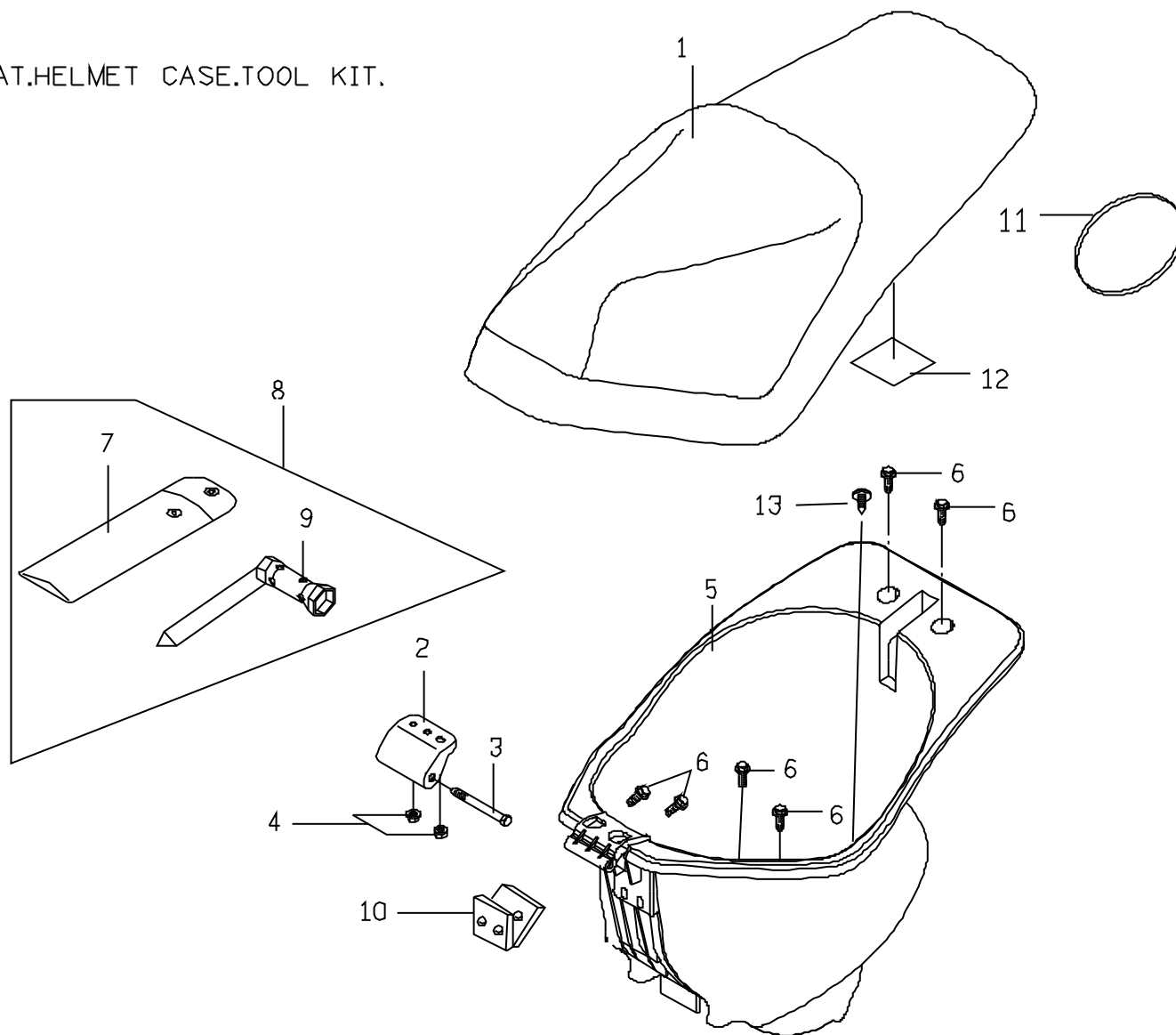
脚踏板。車身蓋。後行李架
STEP FLOOR, BODY COVER,
RR LUGGAGE BRACKET.



F8. STEP FLOOR.BODY COVER. (BLACK CAT)

| NO. | PART NO. | PART NAME | Q'TY | FMSP |
|------------|-----------------|---------------------------------|-------------|-------------|
| 29 | 90210601602 | C-R PAN HD MACHINE SCREW | 14 | |
| 30 | P5583000000 | BATTERY | 1 | |
| 31 | P15830100001 | BATTERY PAD | 1 | |
| 32 | P2706020000 | C-R RECESS PAN HD TAPPING SCREW | 1 | |
| 33 | 90210602200 | C-R PAN HD MACHINE SCREW | 2 | |
| 34 | C16690000001 | REFLECTOR DOT | 2 | Y |
| 35 | 92040600000 | HEXAGON NUT (M6*1.0P) | 2 | |
| 36 | P27060600000 | LH BRACKET, SIDE REFLECTOR | 1 | Y |
| 37 | P270F0600000 | RH BRACKET, SIDE REFLECTOR | 1 | Y |
| | | | | |
| | | | | |
| | | | | |
| | | | | |
| | | | | |
| | | | | |
| | | | | |
| | | | | |
| | | | | |
| | | | | |
| | | | | |
| | | | | |
| | | | | |
| | | | | |
| | | | | |
| | | | | |
| | | | | |
| | | | | |
| | | | | |

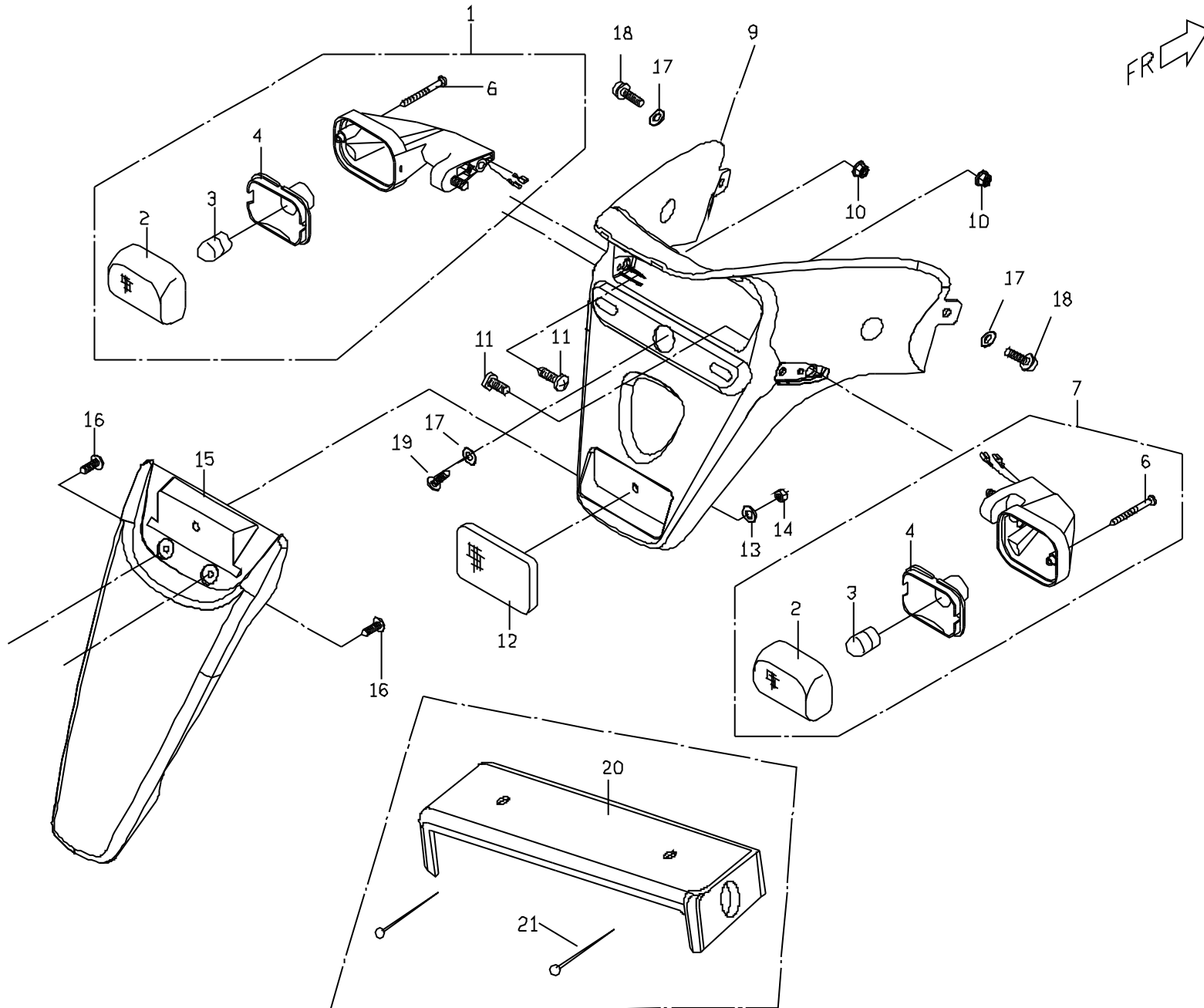
F9 SEAT.HELMET CASE.TOOL KIT.



F9.SEAT.HELMET CASE.TOOL KIT (BLACK CAT)

| NO. | PART NO. | PART NAME | Q'TY | FMSP |
|------------|-----------------|---------------------------------|-------------|-------------|
| 1 | P26710020008 | SEAT ASSY. | 1 | Y |
| 2 | P1681061000 | BRACKET | 1 | |
| 3 | P1681071000 | SPECIAL BOLT | 1 | |
| 4 | 92040600000 | HEXAGON FLANGE NUT | 2 | |
| 5 | P2681002000 | MET-IN COMP. | 1 | Y |
| 6 | 90190601603 | FLANGE BOLT | 6 | |
| 7 | NA | HELMET CUSHION | 1 | |
| 8 | E9706421000 | TOOL SET ASSY. | 1 | |
| 10 | P2706010000 | HOOKHELMET PLAT | 1 | |
| 11 | P6701030000 | TOOL BAND | 1 | |
| 12 | NA | NOTICE STICKER | 1 | |
| 13 | 90130501400 | C-R RECESS PAN HD TAPPING SCREW | 1 | |
| | | | | |
| | | | | |
| | | | | |
| | | | | |
| | | | | |
| | | | | |
| | | | | |
| | | | | |
| | | | | |
| | | | | |
| | | | | |
| | | | | |
| | | | | |
| | | | | |
| | | | | |
| | | | | |
| | | | | |
| | | | | |
| | | | | |
| | | | | |
| | | | | |
| | | | | |
| | | | | |
| | | | | |
| | | | | |

F10 LICENSE PLATE,TURN SIGNAL REAR

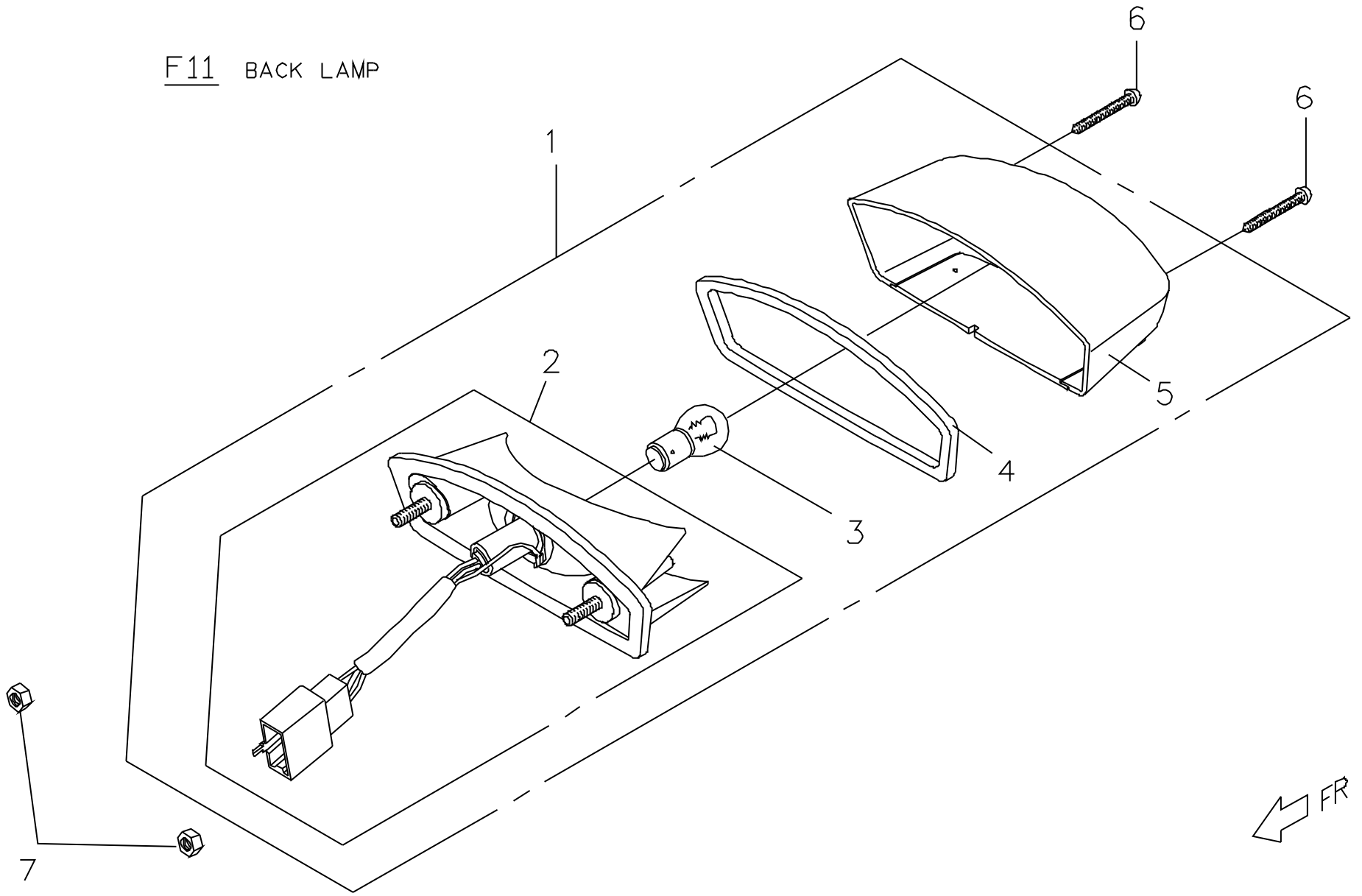


OPTIONAL PARTS FOR DOT SPEC.

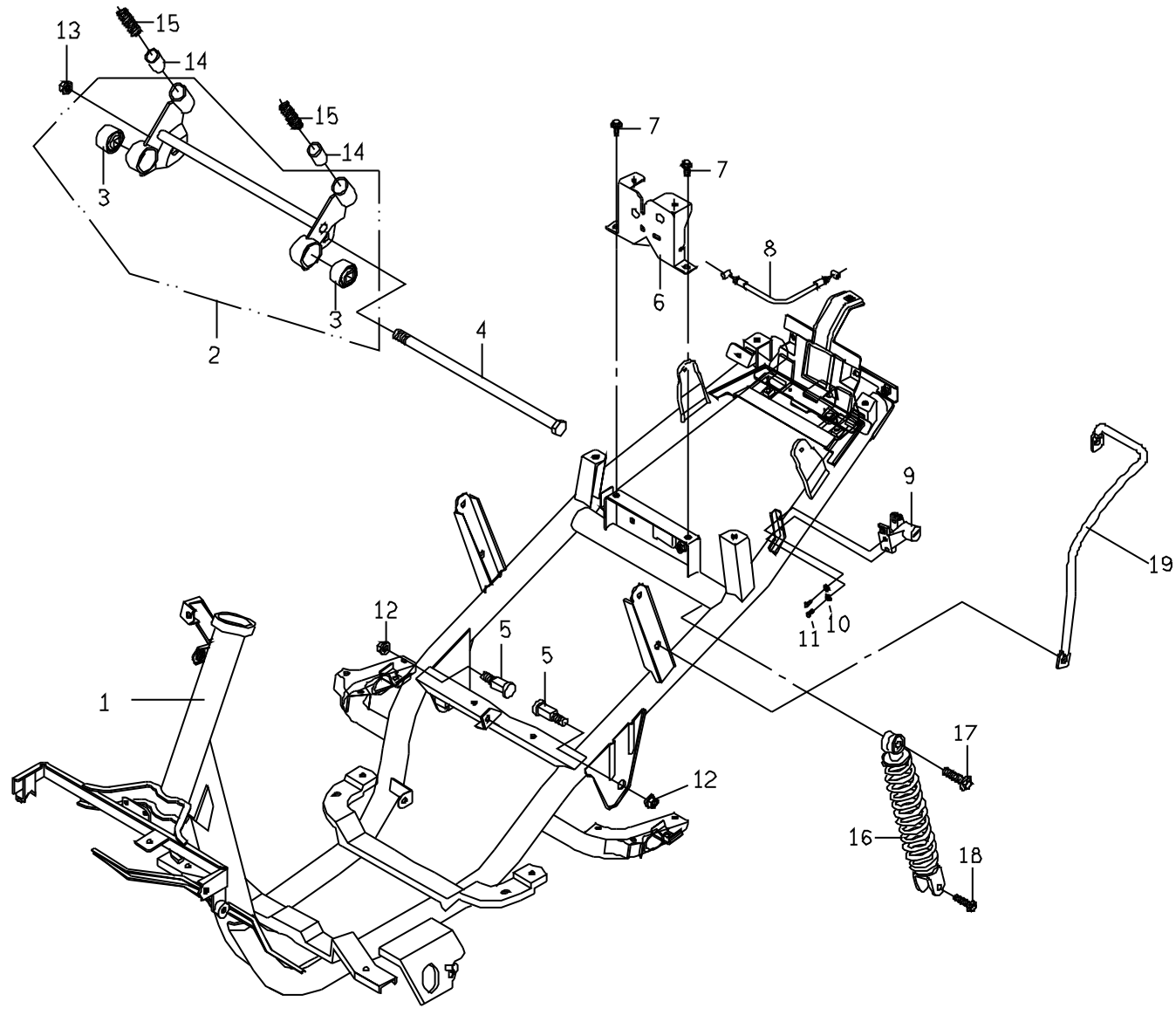
F10. LICENSE PLATE.TURN SIGNAL REAR (BLACK CAT)

| NO. | PART NO. | PART NAME | Q'TY | FMSP |
|------------|-----------------|---------------------------------|-------------|-------------|
| 1 | C166G0100005 | LH RR SIGNAL LAMP ASSY | 1 | Y |
| 2 | C166G0200005 | SIGNAL LAMP COVER | 2 | |
| 3 | 98211221001 | BULB | 2 | |
| 4 | NA | TURN SIGNAL LAMP COMP. | 2 | |
| 5 | NA | LH RR TURN SIGNAL LAMP SHELL | 1 | |
| 6 | C166G0500005 | TAPPING SCREW | 2 | |
| 7 | C166H0100005 | RH RR SIGNAL LAMP ASSY. | 1 | Y |
| 8 | NA | RH RR TURN SIGNAL LAMP SHELL | 1 | |
| 9 | P26360026500 | LICENCE PLATE | 1 | Y |
| 10 | 92040600000 | HEXAGON FLANGE NUT | 2 | |
| 11 | 90110401200 | TAPPING SCREW | 4 | |
| 12 | C5669000000 | REFLECTOR | 1 | Y |
| 13 | 92140500014 | WASHER | 1 | |
| 14 | 92020500000 | HEXAGON NUT | 1 | |
| 15 | P2635001650 | LOWER FENDER | 1 | Y |
| 16 | 90110401200 | C-R RECESS PAN HD TAPPING SCREW | 2 | |
| 17 | 92140600005 | PLAIN WASHER | 3 | |
| 18 | 90050601002 | C-R ROUND HD TAPPING SCREW | 2 | |
| 19 | 90040601400 | C-R ROUND HD TAPPING SCREW | 1 | |
| 20 | P17066516000 | FIXED PLATE, RR TURN SIGNAL | 1 | Y |
| 21 | P5708010000 | BLIND RIVET | 2 | |
| | | | | |
| | | | | |
| | | | | |

F11 BACK LAMP



F12 FRAME

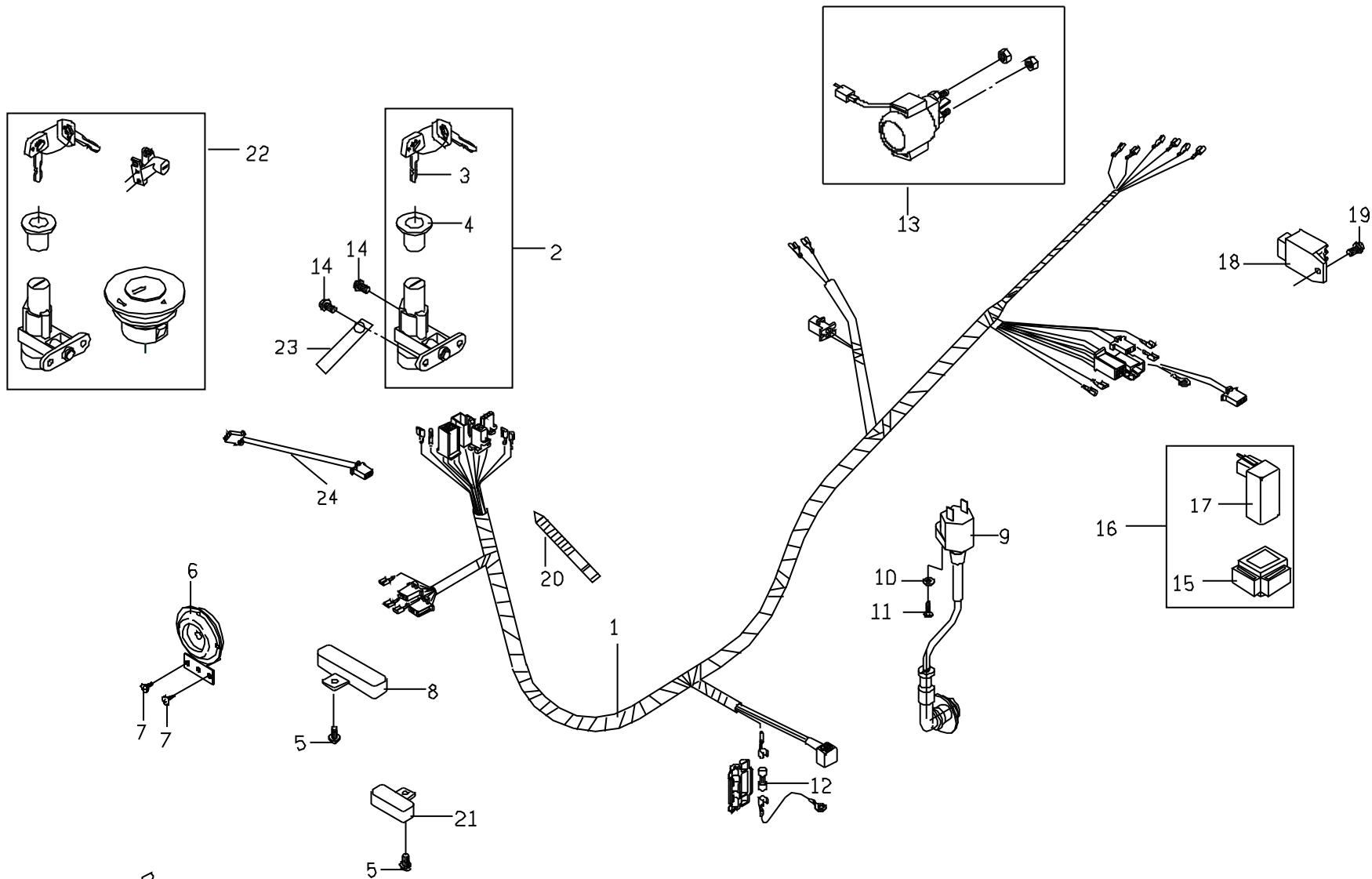


← FR

F12. FRAME (BLACK CAT)

| NO. | PART NO. | PART NAME | Q'TY | FMSP |
|------------|---------------------|-----------------------|-------------|-------------|
| 1 | P242A0066000 | FRAME COMP. | 1 | |
| 2 | P2486002000 | ENGINE HANGER COMP. | 1 | Y |
| 3 | E1486011000 | CUSHION RUBBER | 2 | |
| 4 | 90021228000 | HEXAGON BOLT | 1 | |
| 5 | P1486010000 | BOLT | 2 | |
| 6 | P167A300000 | SEAT LOCK COMP. | 1 | Y |
| 7 | 90190601603 | HEXAGON FLANGE BOLT | 2 | |
| 8 | P2671120000 | SEAT LOCK LEVER CABLE | 1 | |
| 9 | P1558000000 | SEAT LOCK ASSY. | 1 | |
| 10 | 92110500000 | SPRING WASHER | 2 | |
| 11 | 90020501000 | HEXAGON BOLT | 2 | |
| 12 | 92061000001 | HEXAGON LOCK NUT | 2 | |
| 13 | 92061200000 | LOCK NUT | 1 | |
| 14 | E1486040000 | RUBBER, DAMPER | 2 | |
| 15 | E1486050000 | SPRING COMPRESSION | 2 | |
| 16 | P2481001600 | CUSHION ASSY., RR | 1 | Y |
| 17 | 90191004000 | HEXAGON FLANGE BOLT | 1 | |
| 18 | 90190803201 | HEXAGON FLANGE BOLT | 1 | |
| 19 | P2421300000 | HANDLE, FRAME | 1 | Y |
| | | | | |
| | | | | |
| | | | | |
| | | | | |
| | | | | |
| | | | | |
| | | | | |
| | | | | |
| | | | | |

F13 WIRE HARNESS

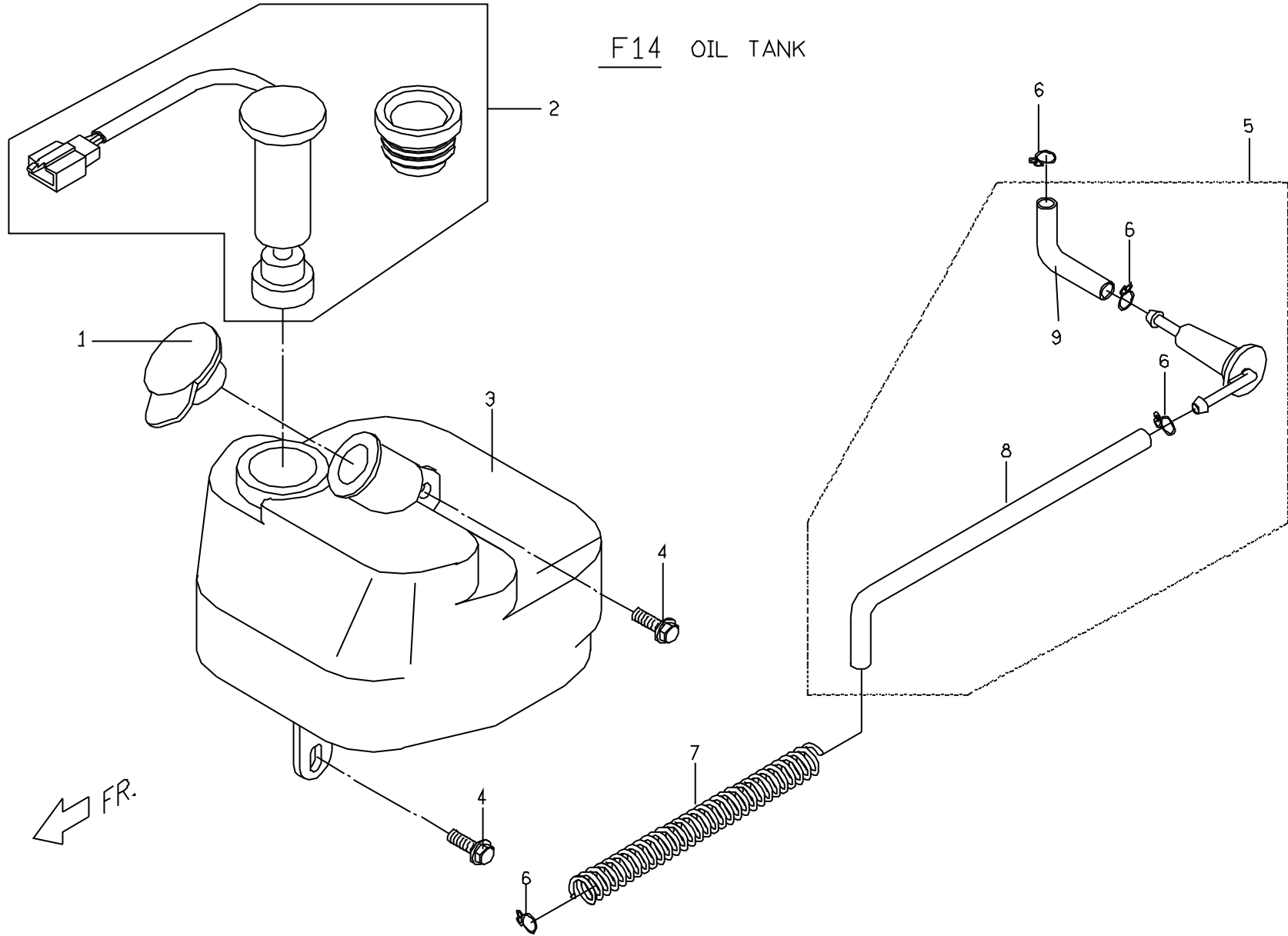


FR.

F13. WIRE HARNESS (BLACK CAT)

| NO. | PART NO. | PART NAME | Q'TY | FMSP |
|------------|---------------------|--|-------------|-------------|
| 1 | P25816000002 | WIRE HARNESS | 1 | |
| 1 | P25816000003 | WIRE HARNESS | 1 | |
| 2 | P1552005000 | IGNITION SWITCH ASSY. | 1 | Y |
| 3 | P155B010000 | KEY | 2 | |
| 4 | P155B020000 | SWITCH INDICATED COVER | 1 | |
| 5 | 90190601001 | HEXAGON FLANGE BOLT | 1 | |
| 6 | P1583600000 | HORN | 1 | Y |
| 7 | E1706190000 | SCREW WITH WASHER | 2 | |
| 8 | P15866000001 | RESISTER A | 1 | Y |
| 9 | C15846010001 | IGNITION COIL COMP. | 1 | Y |
| 10 | 92110500000 | SPRING WASHER | 1 | |
| 11 | 90040601000 | C-R RECESS PAN HD NACHING SCREW | 1 | |
| 12 | E1581630000 | FUSE (8A) | 1 | |
| 13 | P9581000000 | STARTER RELAY WITH BRACKET ASSY. | 1 | Y |
| 14 | 90190601200 | HEXAGON FLANGE BOLT | 2 | |
| 15 | P1701190000 | RUBBER BRACKET | 1 | |
| 17 | E9582000000 | CDI UNIT COMP. | 1 | Y |
| 18 | C15840010000 | VOLTAGE REGULATOR COMP. | 1 | Y |
| 19 | 90190601603 | FLANGE BOLT | 3 | |
| 20 | E1701031000 | TIE | 1 | |
| 21 | P15866000002 | RESISTER B | 1 | Y |
| 21 | P2586600000A | RESISTER | 1 | Y |
| 22 | P25510040001 | KEYLOCK SET | 1 | Y |
| 23 | 92240007800 | WIRE CLIP | 1 | |
| 24 | P2581660000 | HEAD LIGHT ADAPTOR | 1 | |
| 26 | B5583040000 | 12V POWER SUPPLIER | 1 | |
| 27 | P25816300000 | EXTENSION WIRE, CHARGING SOCKET | 1 | |
| 28 | 98701201000 | FUSE | 1 | Y |

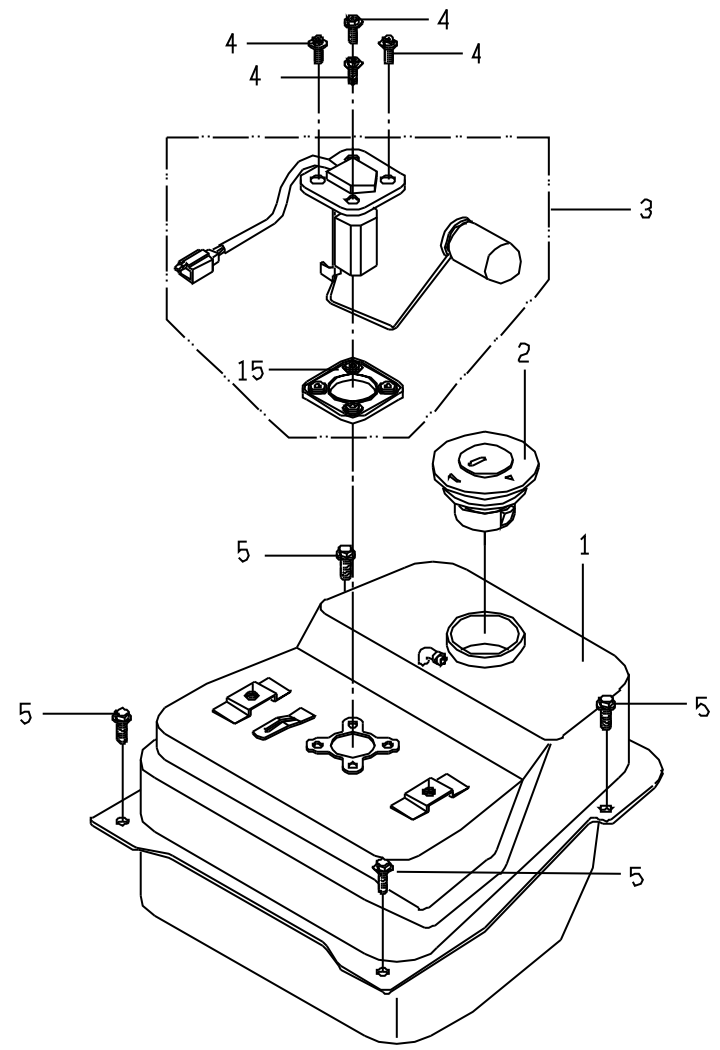
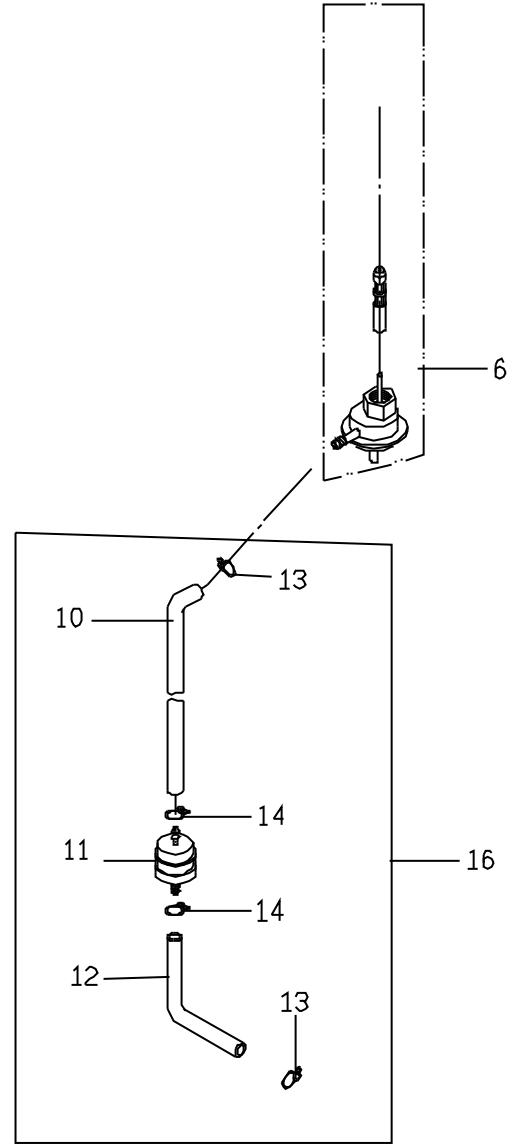
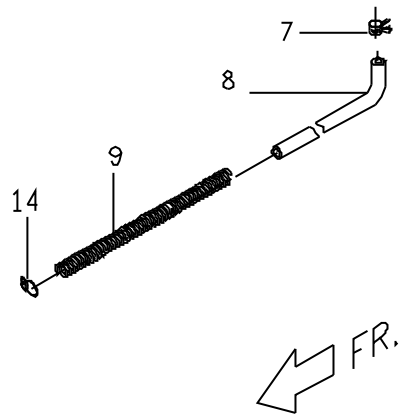
F14 OIL TANK



F14. OIL TANK (BLACK CAT)

| NO. | PART NO. | PART NAME | Q'TY | FMSP |
|-----|-------------|---------------------|------|------|
| 1 | P1522300000 | OIL TANK COVER | 1 | Y |
| 2 | P2522700000 | OIL GAUGE COMP. | 1 | Y |
| 3 | P2522503000 | OIL TANK | 1 | Y |
| 4 | 90190601200 | HEXAGON FLANGE BOLT | 2 | |
| 5 | P1522202000 | OIL FILTER ASSY. | 1 | Y |
| 6 | E1706020000 | CLIP | 4 | |
| 7 | P1706611000 | COMPRESS SPRING | 1 | |
| 8 | P152F020000 | OIL HOSE | 1 | |
| 9 | P152F010000 | OIL HOSE | 1 | |
| | | | | |
| | | | | |
| | | | | |
| | | | | |
| | | | | |
| | | | | |
| | | | | |
| | | | | |
| | | | | |
| | | | | |
| | | | | |
| | | | | |
| | | | | |
| | | | | |
| | | | | |
| | | | | |
| | | | | |
| | | | | |

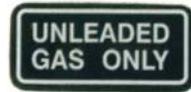
F15 FUEL TANK



F15. FUEL TANK (BLACK CAT)

| NO. | PART NO. | PART NAME | Q'TY | FMSP |
|------------|-----------------|-----------------------------|-------------|-------------|
| 1 | P25215020001 | FUEL TANK ASSY. | 1 | Y |
| 2 | P25213010001 | FUEL TANK COVER | 1 | Y |
| 3 | P25217010000 | FUEL GAUGE ASSY. | 1 | Y |
| 4 | 90200501400 | SCREW WITH WASHER | 4 | |
| 5 | 90190601200 | HEXAGON FLANGE BOLT | 4 | |
| 6 | P6523000000 | AUTO COCK | 1 | Y |
| 7 | KP706370000 | CLIP | 1 | |
| 8 | P1526013000 | HOSE, NEGATIVE PRESURE | 1 | |
| 9 | P1706611000 | COMPRESSION SPRING | 1 | |
| 10 | P152A0300001 | GAS HOSE (FILTER-AUTO COCK) | 1 | |
| 11 | P652A0100001 | FUEL FILTER | 1 | |
| 12 | P252A020000 | GAS HOSE (CRBURETOR-FILTER) | 1 | |
| 13 | 92220800001 | CLIP | 2 | |
| 14 | 92220900001 | CLIP | 3 | |
| 15 | P252A7100000 | RUBBER WASHER | 1 | |
| 16 | P2521200000 | FUEL FILTER ASSY. | 1 | Y |
| | | | | |
| | | | | |
| | | | | |
| | | | | |
| | | | | |
| | | | | |
| | | | | |
| | | | | |
| | | | | |
| | | | | |
| | | | | |
| | | | | |
| | | | | |
| | | | | |
| | | | | |
| | | | | |
| | | | | |

BLACK_CAT LABELS



———— 1

Cat ——— 2



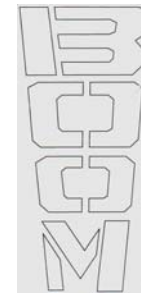
———— 3



———— 4



———— 5



———— 6

Black ——— 7



———— 8



———— 9

THIS VEHICLE IS A LIMITED SPEED MOTORCYCLE AND USE OF THIS VEHICLE MAY BE RESTRICTED BY PROVINCIAL AUTHORITIES TO CERTAIN ROADS.

CE VÉHICULE EST UNE MOTOCYCLLETTE A VITESSE LIMITEE ET L'UTILISATION DE CE VEHICULE PEUT ETRE RESTREINTE A CERTAINES ROUTES PAR LES GOUVERNEMENTS PROVINCIAUX.

———— 10

F16. LABELS (BLACK CAT)

| NO. | PART NO. | PART NAME | Q'TY | FMSP |
|------------|---------------------|------------------------------------|-------------|-------------|
| 1 | P1603040000 | FUEL TYPE LABEL | 1 | |
| 2 | P26014900000 | WINDSHIELD "CAT" STICKER | 1 | Y |
| 3 | P26015000000 | PMX-CAT STICKER | 1 | Y |
| 4 | P26015200000 | BODY COVER "BLACK CAT" STICKER | 2 | Y |
| 5 | C16030000001 | NOTICE STICKER | 1 | |
| 6 | P26015400000 | LOWER COVER "BOOM" STICKER | 1 | Y |
| 7 | P26014800000 | UPPER,HANDLE COVER "BLACK" STICKER | 1 | Y |
| 8 | P66014000000 | GENUINE LOGO LABEL | 1 | Y |
| 9 | P26015800000 | GENUINE LOGO LABEL | 1 | Y |
| 10 | C1603070000 | TIRE INFORMATION LABEL | 1 | |
| 11 | P26031100000 | CHARGING WARNING LABEL | 1 | |
| | | | | |
| | | | | |
| | | | | |
| | | | | |
| | | | | |
| | | | | |
| | | | | |
| | | | | |
| | | | | |
| | | | | |
| | | | | |
| | | | | |



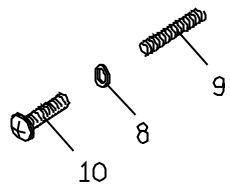
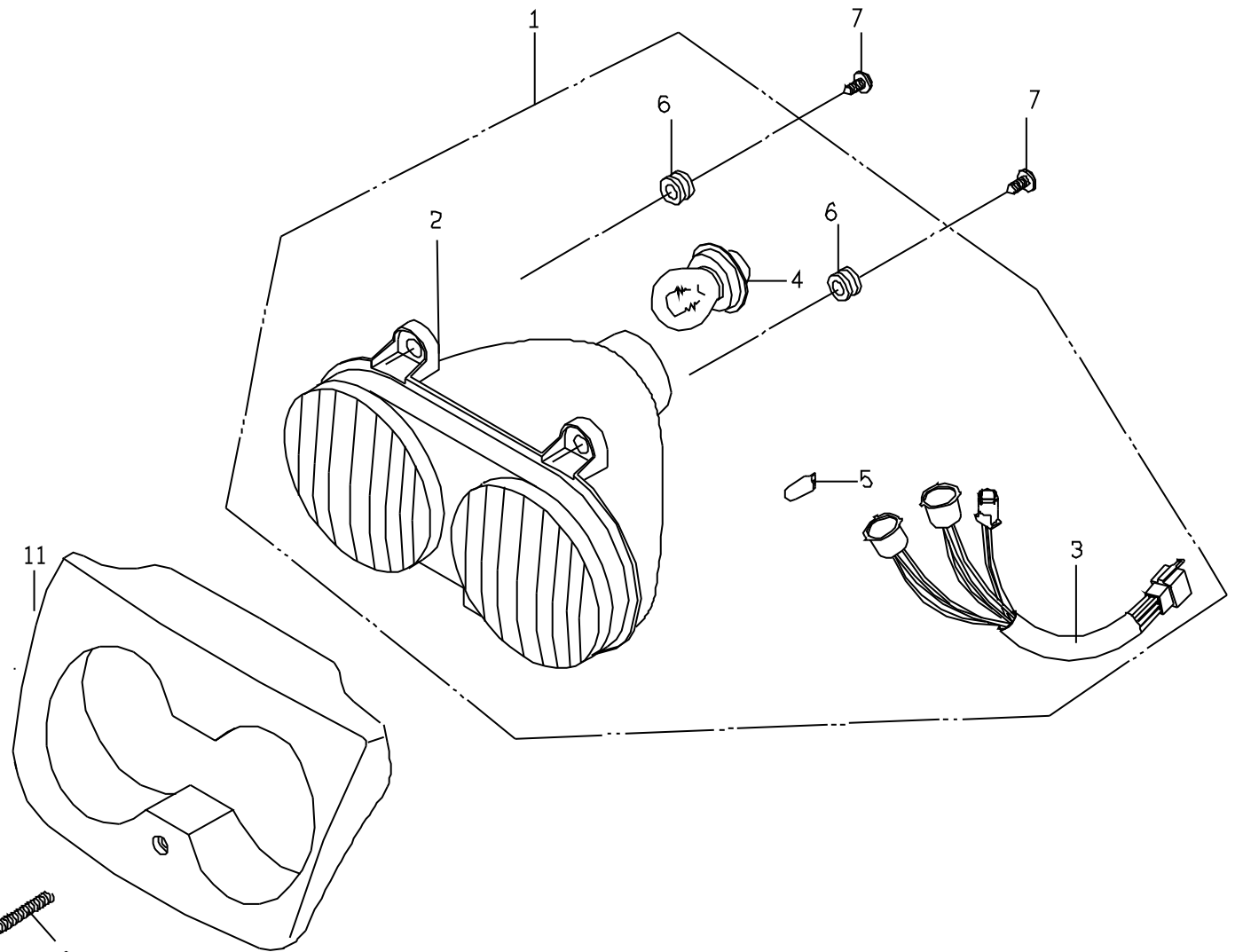
Rattler 50/110 CHASSIS PARTS



PM-NAKED OUTLOOK COLOR CODE



F1 HEAD LIGHT



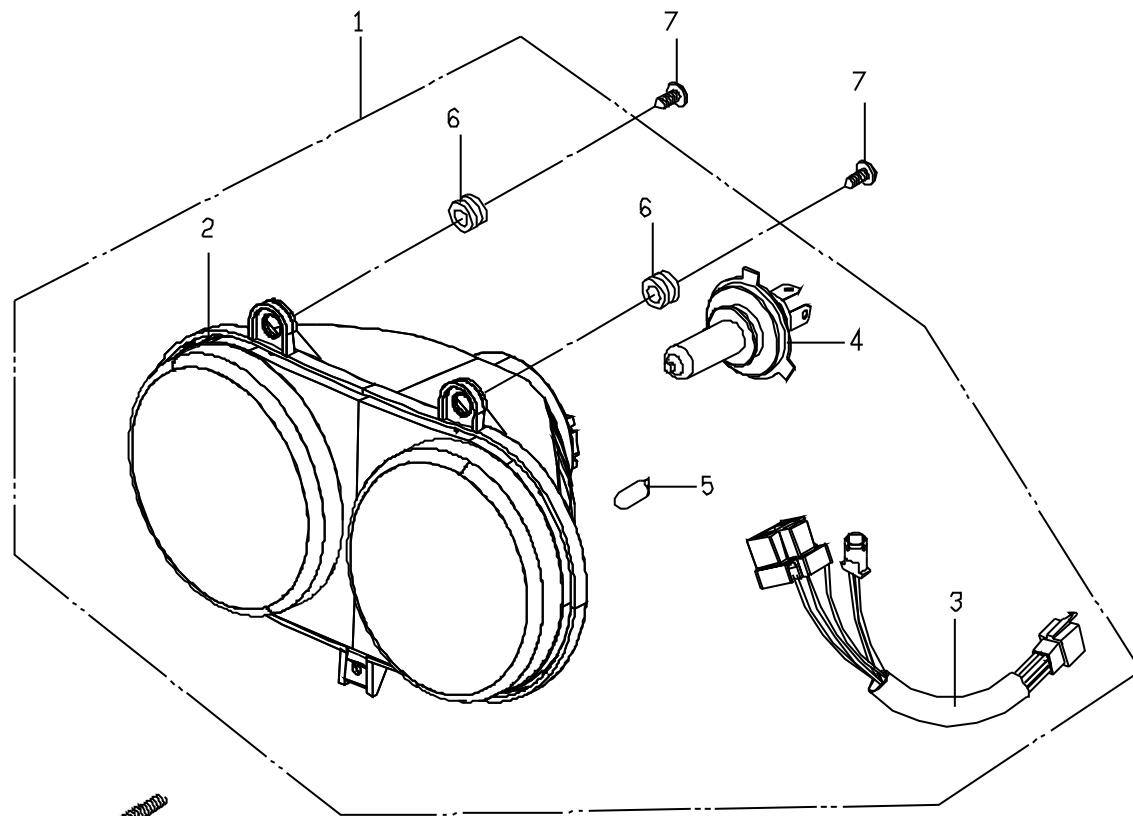
F1.1 HEAD LIGHT (PM-50 FOR PM-50 NAKED

| NO. | PART NO. | PART NAME | Q'TY | FMSP |
|------------|-----------------|---------------------------------|-------------|-------------|
| 1 | P2661000001 | HEAD LAMP ASSY. | 1 | Y |
| 2 | P266A1200001 | LAMP COVER | 1 | |
| 3 | P266A0300001 | CONNECTING WIRE, HEAD LAMP | 1 | |
| 4 | 98121235351 | BULB (35W) | 1 | Y |
| 5 | P266A0600001 | BULB(5W) | 1 | Y |
| 6 | P166A030000 | RUBBER BUSH | 2 | |
| 7 | 90130501400 | C-R RECESS PAN HD TAPPING SCREW | 2 | |
| 8 | 92140600005 | PLAIN WASHER | 1 | |
| 9 | P1706530000 | COMPRESSION SPRING | 1 | |
| 10 | 90050407000 | ADJUSTING BOLT | 1 | |
| | | | | |
| | | | | |

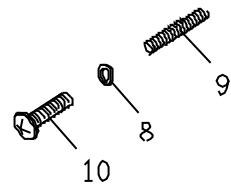
F1.1 HEAD LIGHT (PM-50 FOR PM-50 NAKED

| NO. | PART NO. | PART NAME | Q'TY | FMSP |
|------------|---------------------|---------------------------------|-------------|-------------|
| 1 | P26610000002 | HEAD LAMP ASSY. | 1 | Y |
| 2 | P266A0200002 | LAMP COVER | 1 | |
| 3 | P266A0100002 | CONNECTING WIRE, HEAD LAMP | 1 | |
| 4 | 98151235351 | BULB (35W) | 1 | Y |
| 5 | 98231205001 | BULB(5W) | 1 | |
| 6 | P166A030000 | RUBBER BUSH | 2 | |
| 7 | 90130501400 | C-R RECESS PAN HD TAPPING SCREW | 2 | |
| 8 | 92140600005 | PLAIN WASHER | 1 | |
| 9 | P1706530000 | COMPRESSION SPRING | 1 | |
| 10 | 90050407000 | ADJUSTING BOLT | 1 | |
| | | | | |
| | | | | |

F1 頭 燈
HEAD LIGHT



⇐ FR



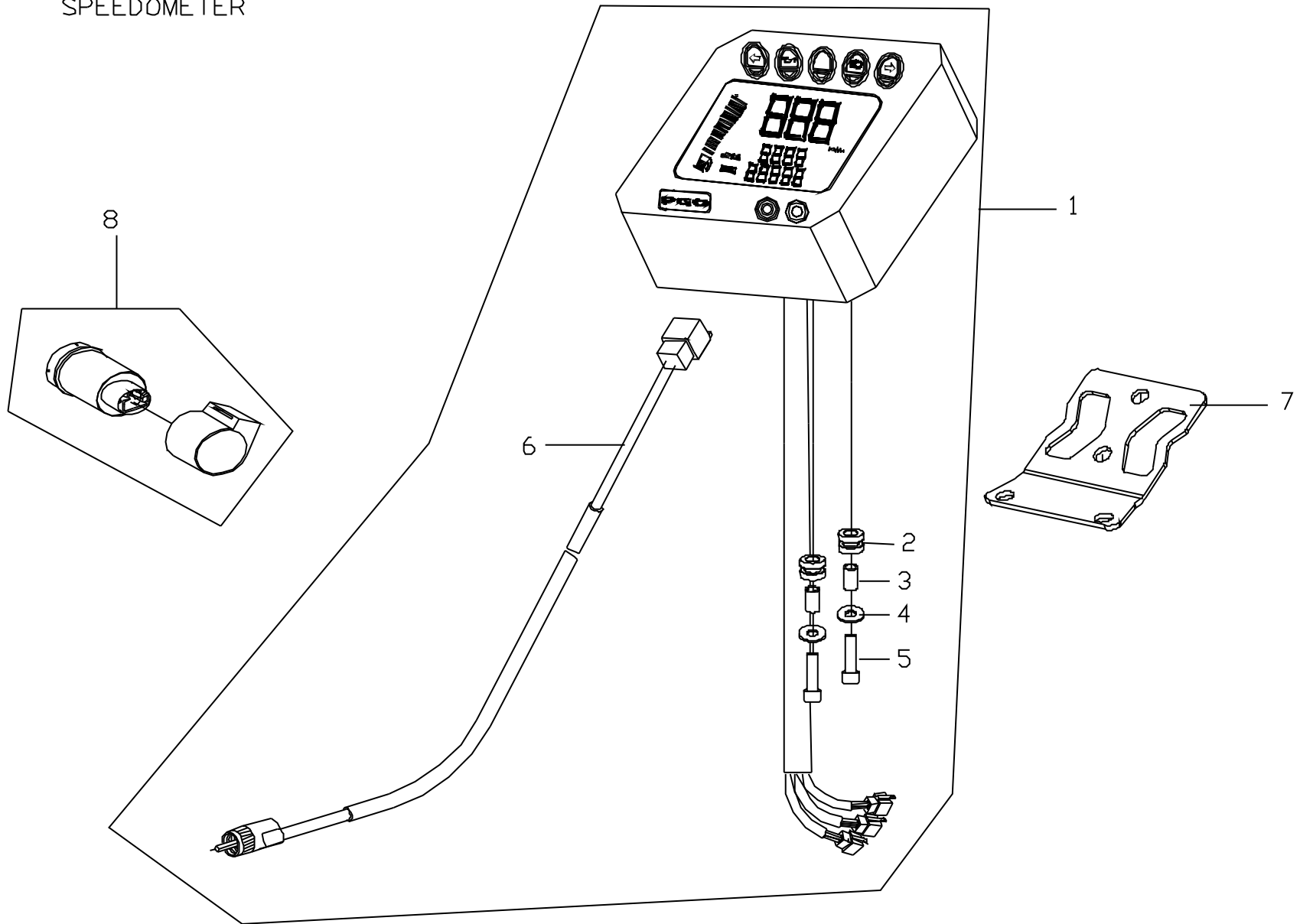
F1.2 HEAD LIGHT (PM-11 FOR PM-110 NAKED

| NO. | PART NO. | PART NAME | Q'TY | FMSP |
|------------|--------------------|---------------------------------|-------------|-------------|
| 1 | P0661000000 | HEAD LAMP ASSY. | 1 | Y |
| 2 | P066A0100000 | LAMP COVER | 1 | |
| 3 | P066A0300000 | CONNECTING WIRE, HEAD LAMP | 1 | |
| 4 | 98151235351 | BULB(35W/35W) | 1 | Y |
| 5 | 98231205001 | BULB(5W) | 1 | Y |
| 6 | P066A0500000 | RUBBER BUSH | 2 | |
| 7 | 90130501400 | C-R RECESS PAN HD TAPPING SCREW | 2 | |
| 8 | 92140600005 | PLAIN WASHER | 1 | |
| 9 | P1706530000 | COMPRESSION SPRING | 1 | |
| 10 | 90050406201 | ADJUSTING BOLT | 1 | |
| | | | | |
| | | | | |
| | | | | |
| | | | | |
| | | | | |
| | | | | |
| | | | | |
| | | | | |
| | | | | |
| | | | | |
| | | | | |
| | | | | |
| | | | | |
| | | | | |
| | | | | |
| | | | | |
| | | | | |
| | | | | |
| | | | | |
| | | | | |
| | | | | |
| | | | | |
| | | | | |

F2

碼錶

SPEEDOMETER

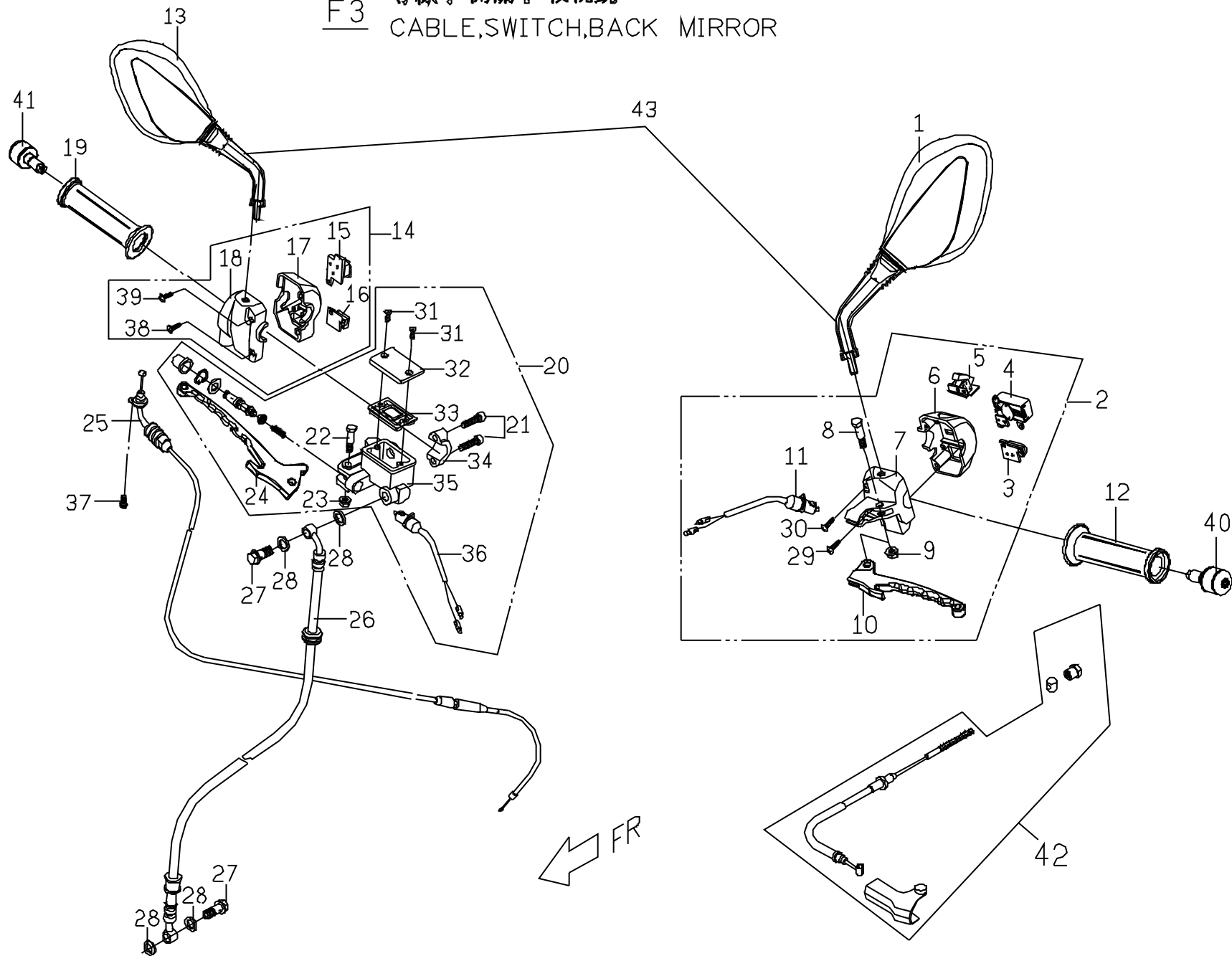


← FR

F2. SPEEDOMETER (PM-50/110 NAKED)

| NO. | PART NO. | PART NAME | Q'TY | FMSP |
|-----|--------------|---------------------------|------|------|
| 1 | P2561001000B | SPEEDOMETER ASSY. | 1 | Y |
| 2 | P256A080000N | RUBBER DAMPER | 2 | |
| 3 | P256A090000N | BUSH | 2 | |
| 4 | P256A030000N | PLAIN WASHER | 2 | |
| 5 | P256A040000N | HEXAGON INNER SOCKET BOLT | 2 | |
| 6 | P256A020000N | SPEEDOMETER CABLE ASSY. | 1 | |
| 7 | P2701230770N | BRACKET, SPEEDOMETER | 1 | Y |
| 8 | C15860000000 | FLASHER RELAY ASSY. | 1 | Y |
| | | | | |
| | | | | |
| | | | | |
| | | | | |
| | | | | |
| | | | | |
| | | | | |
| | | | | |
| | | | | |
| | | | | |
| | | | | |
| | | | | |
| | | | | |
| | | | | |
| | | | | |
| | | | | |
| | | | | |
| | | | | |
| | | | | |

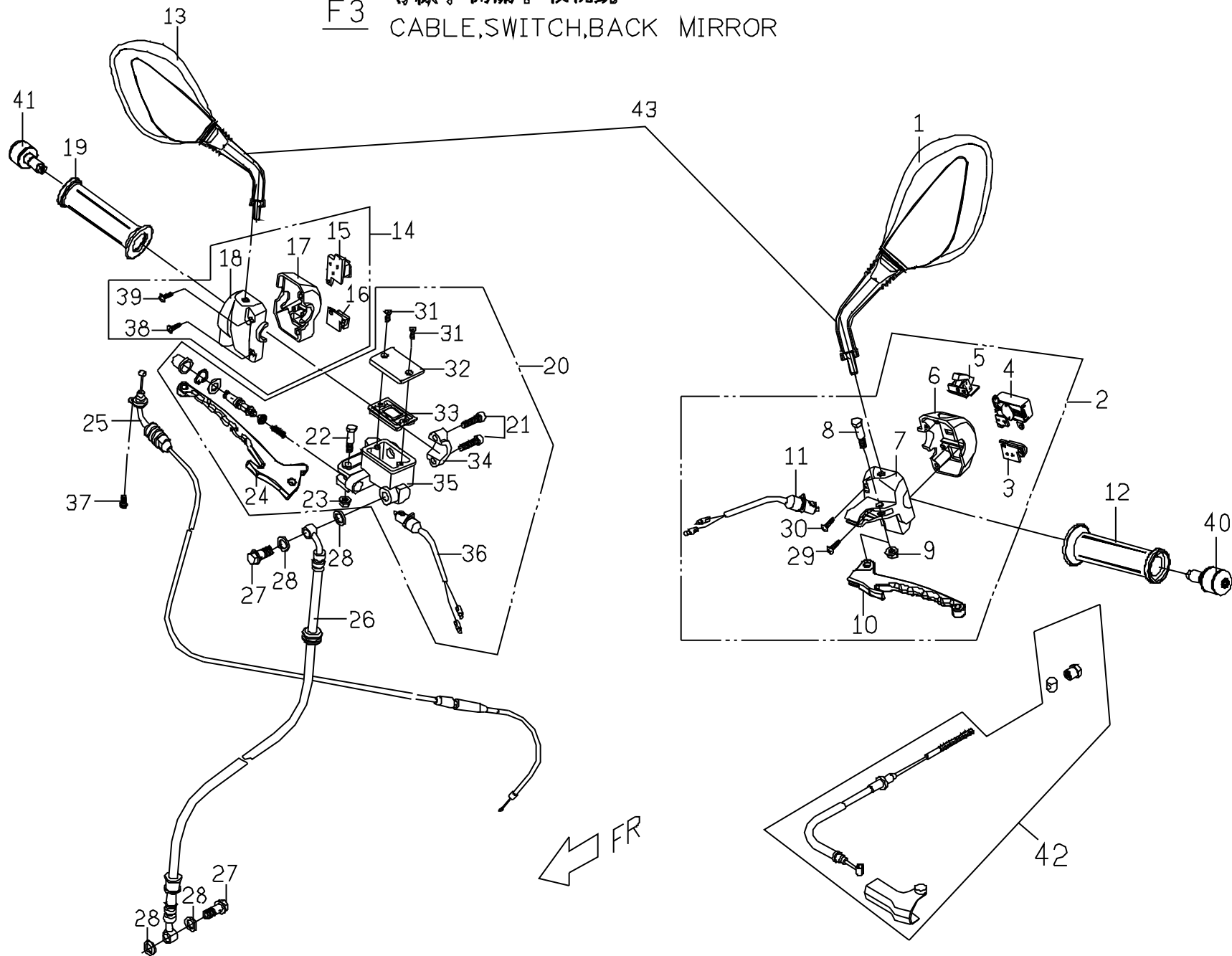
F3 導線。開關。後視鏡
CABLE, SWITCH, BACK MIRROR



F3. CABLE.SWITCH.BACK MIRROR (PM-50/110 NAKED)

| NO. | PART NO. | PART NAME | Q'TY | FMSP |
|------------|---------------------|----------------------------------|-------------|-------------|
| 1 | M261F010000 | LH BACK MIRROR | 1 | |
| 1 | M261F0100002 | LH BACK MIRROR | 1 | |
| 2 | P2546000000N | LEVER HOLDER ASSY, LH | 1 | Y |
| 7 | P154F020000 | CASE, SWITCH UNDER, 1 | 1 | |
| 8 | P154F030000 | BOLT | 1 | |
| 9 | P154F040000 | LOCK NUT | 1 | |
| 10 | P2543300000N | LEVER, LH BRAKE | 1 | |
| 11 | P1548220000N | RR BRAKE SWITCH COMP. | 1 | |
| 12 | P2541000000N | LH GRIP ASSY. | 1 | |
| 13 | M261F020000 | RH BACK MIRROR | 1 | |
| 13 | M261F0200002 | RH BACK MIRROR | 1 | |
| 14 | P2548000000A | LEVER HOLDER ASSY., RIGHT | 1 | Y |
| 14 | P2548000000B | LEVER HOLDER ASSY,RH | 1 | Y |
| 18 | P154H020000 | CASE, SWITCH UNDER 1 | 1 | |
| 19 | P2542000000N | RH GRIP ASSY. | 1 | Y |
| 20 | P2403001000N | FR BRAKE MASTER CYLINDER | 1 | Y |
| 21 | P140C250000 | HEXAGON SUCKET HEAD BOLT | 2 | |
| 22 | P140C220000 | BOLT | 1 | |
| 23 | P140C230000 | FLANGE NUT | 1 | |
| 24 | P2543800000N | LEVER, RH BRAKE | 1 | Y |
| 25 | P5544601000 | CABLE ASSY., THROTTLE | 1 | Y |
| 25 | P0544600000N | CABLE ASSY., THROTTLE | 1 | Y |
| 26 | M24036010001 | FRONT BRAKE FLUID HOSE COMP. | 1 | Y |
| 27 | P14038110000 | JOINT BOLT, BRAKE HOSE | 2 | |

F3 導線。開關。後視鏡
CABLE, SWITCH, BACK MIRROR

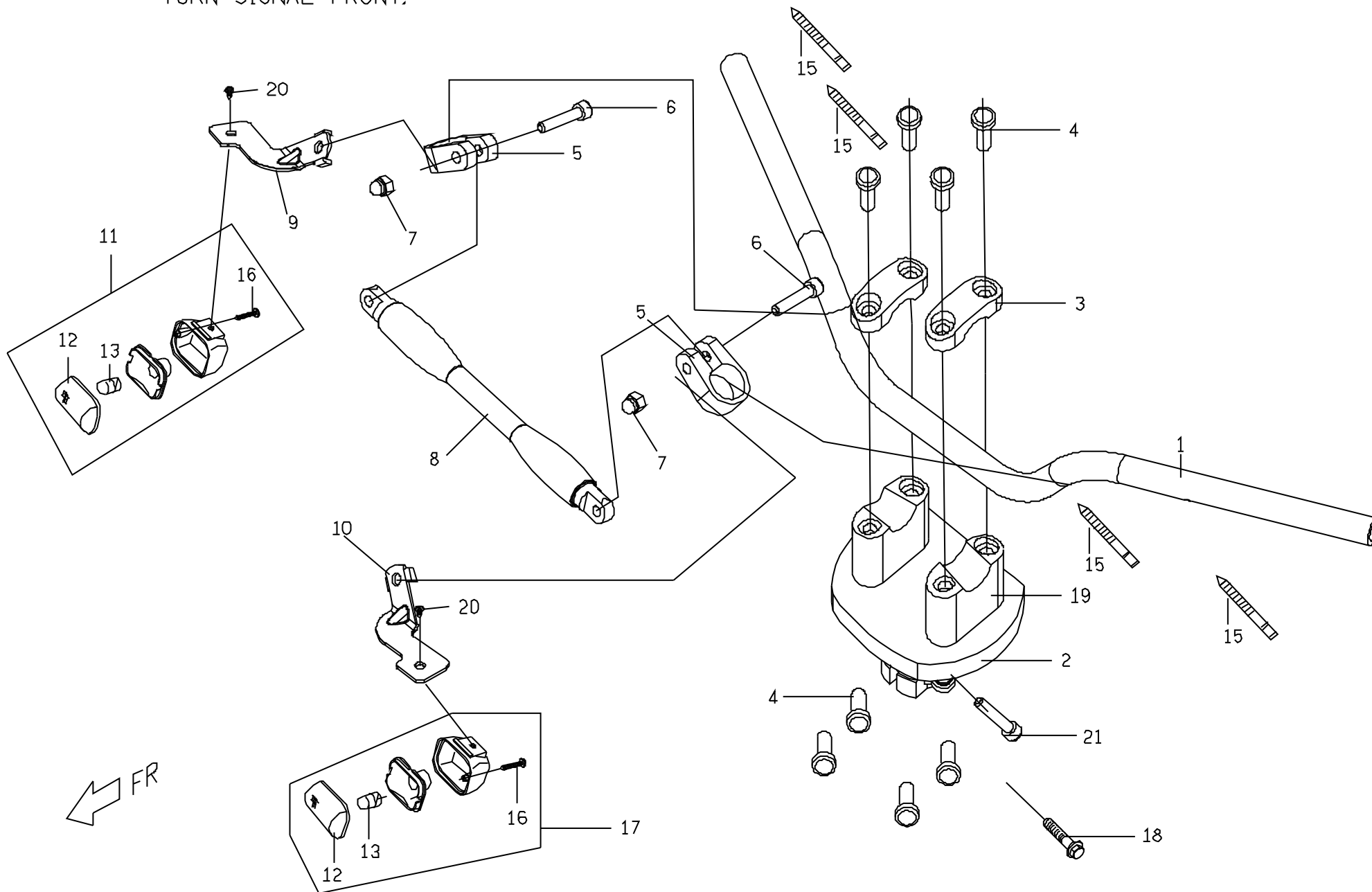


F3. CABLE.SWITCH.BACK MIRROR (PM-50/110 NAKED)

| NO. | PART NO. | PART NAME | Q'TY | FMSP |
|------------|---------------------|---------------------------------|-------------|-------------|
| 28 | 92141000002 | PLAIN WASHER | 4 | |
| 29 | P154F390000 | SCREW, PAN HD | 1 | |
| 30 | P154F400000 | SCREW, PAN HD | 1 | |
| 31 | P140C130000 | SCREW | 2 | |
| 32 | P140C120000 | CAP, RESERVOIR | 1 | |
| 33 | P140C110000 | DIAPHRAGM, RESERVOIR | 1 | |
| 34 | P140C240000 | BRACKET, MASTER CYLINDER | 1 | |
| 36 | M25480300001 | SAFETY SWITCH ASSY. | 1 | |
| 37 | 90050501200 | C-R RECESS PAN HD TAPPING SCREW | 1 | |
| 38 | P154H180000 | C-R ROUND HD SCREW | 1 | |
| 39 | P154H170000 | C-R ROUND HD SCREW | 1 | |
| 40 | P2612013000N | SHOCKPROOF ASSY.(L) | 1 | Y |
| 41 | P2612032000N | SHOCKPROOF ASSY.(r) | 1 | Y |
| 42 | P2544400000N | CABLE ASSY ,RR BRAKE | 1 | Y |
| 43 | M2616000000 | BACK MIRROR COMP | 1 | Y |
| 43 | M26160000002 | BACK MIRROR COMP | 1 | Y |
| | | | | |
| | | | | |
| | | | | |
| | | | | |
| | | | | |
| | | | | |
| | | | | |
| | | | | |
| | | | | |
| | | | | |
| | | | | |
| | | | | |
| | | | | |
| | | | | |
| | | | | |
| | | | | |
| | | | | |
| | | | | |
| | | | | |
| | | | | |

把手上下蓋。方向把手管。前方向燈

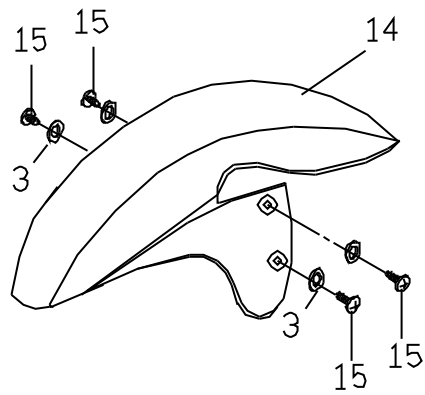
F4 COVER UPPER&LOWER ,HANDLE BAR.
TURN SIGNAL FRONT.



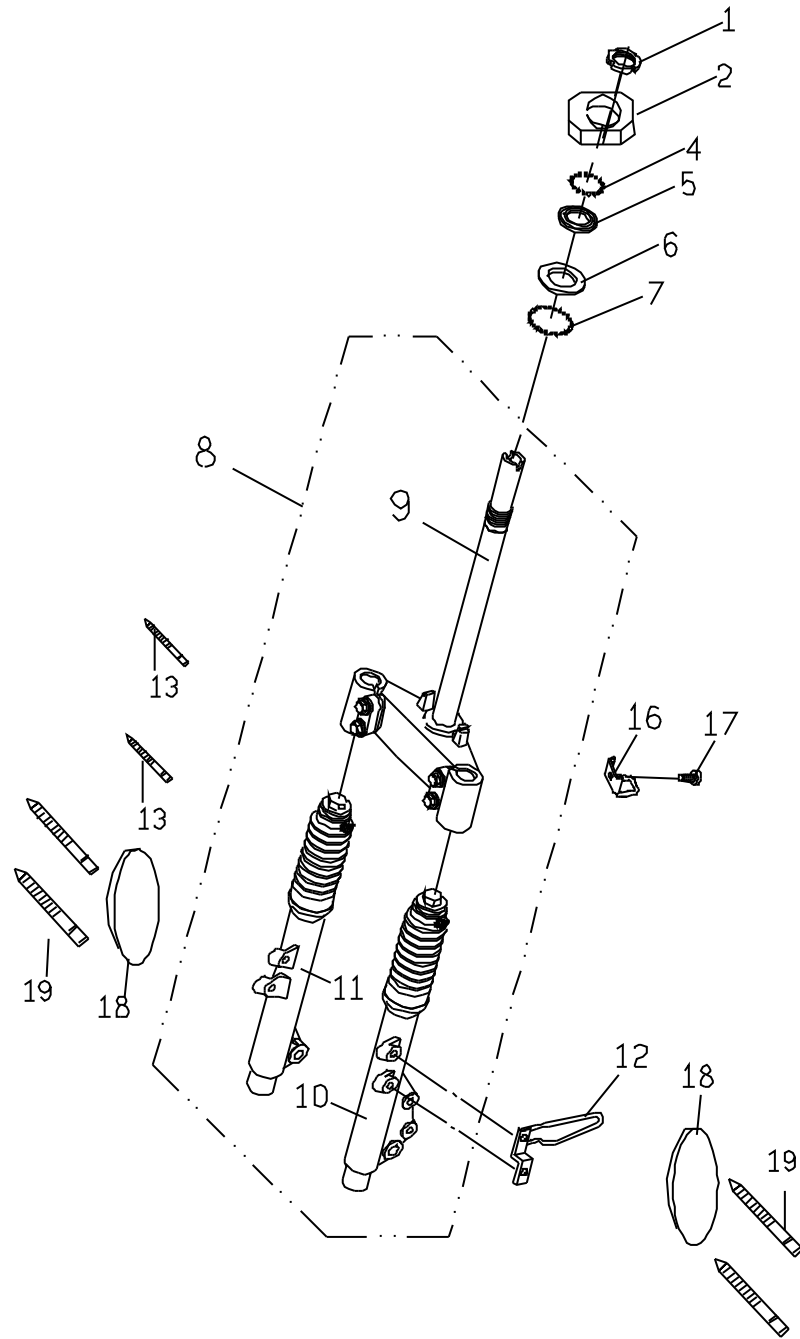
F4. COVER UPPER&LOWER.HANDLE BAR.TURN SIGNAL FRONT (PM-50/110 NAKED)

| NO. | PART NO. | PART NAME | Q'TY | FMSP |
|-------------|---------------------|-------------------------------------|-------------|-------------|
| 1 | P261B001000N | HANDLE BAR | 1 | Y |
| 2 | P244E012000N | HANDLE BAR FIXTURE SEAT | 1 | |
| 3 | P244E030000N | UPPER BRACKET, HANDLE BAR | 2 | |
| 4 | P244E040000N | HEXAGON INNER SOCKET BOLT | 8 | |
| 5 | P261B060000N | FIXED CLIP | 2 | |
| 6 | 90210603001 | HEXAGON INNER SOCKET BOLT | 2 | |
| 7 | 92050600004 | CASTLE NUT | 2 | |
| 8 | P261B070000N | FIXTURE ROD | 1 | |
| 9 | P270A240770N | RIGHT TURN FIXED PLATE | 1 | Y |
| 10 | P2701240770N | LEFT TURN FIXED PLATE | 1 | Y |
| 11 | C166D0110004 | RH FR TURN SIGNAL LAMP ASSY. | 1 | Y |
| 12-1 | C166G0200006 | LH COVER, SIGNAL LAMP | 1 | Y |
| 12-2 | C166H0200006 | RH COVER, SIGNAL LAMP | 1 | |
| 13 | 98211221990 | BULB | 2 | |
| 14 | 92140600005 | PLAIN WASHER | 2 | |
| 15 | P1701030000 | CABLE TIE | 4 | |
| 16 | P066C080000 | TAPPING SCREW | 2 | |
| 17 | C166C0110004 | LH FR TURN SIGNAL LAMP ASSY. | 1 | Y |
| 18 | 90191003500 | HEXAGON FLANGE BOLT | 1 | |
| 19 | P244E020000N | LOWER BRACKET, HANDLE BAR | 1 | |
| 20 | 90190501201 | CR TRUSS HD MACHINE SCREW | 2 | |
| 21 | P244E051000N | BOLT | | |
| | | | | |
| | | | | |

F5 前叉(碟)。前土除
FRONT FORK.FR FENDER



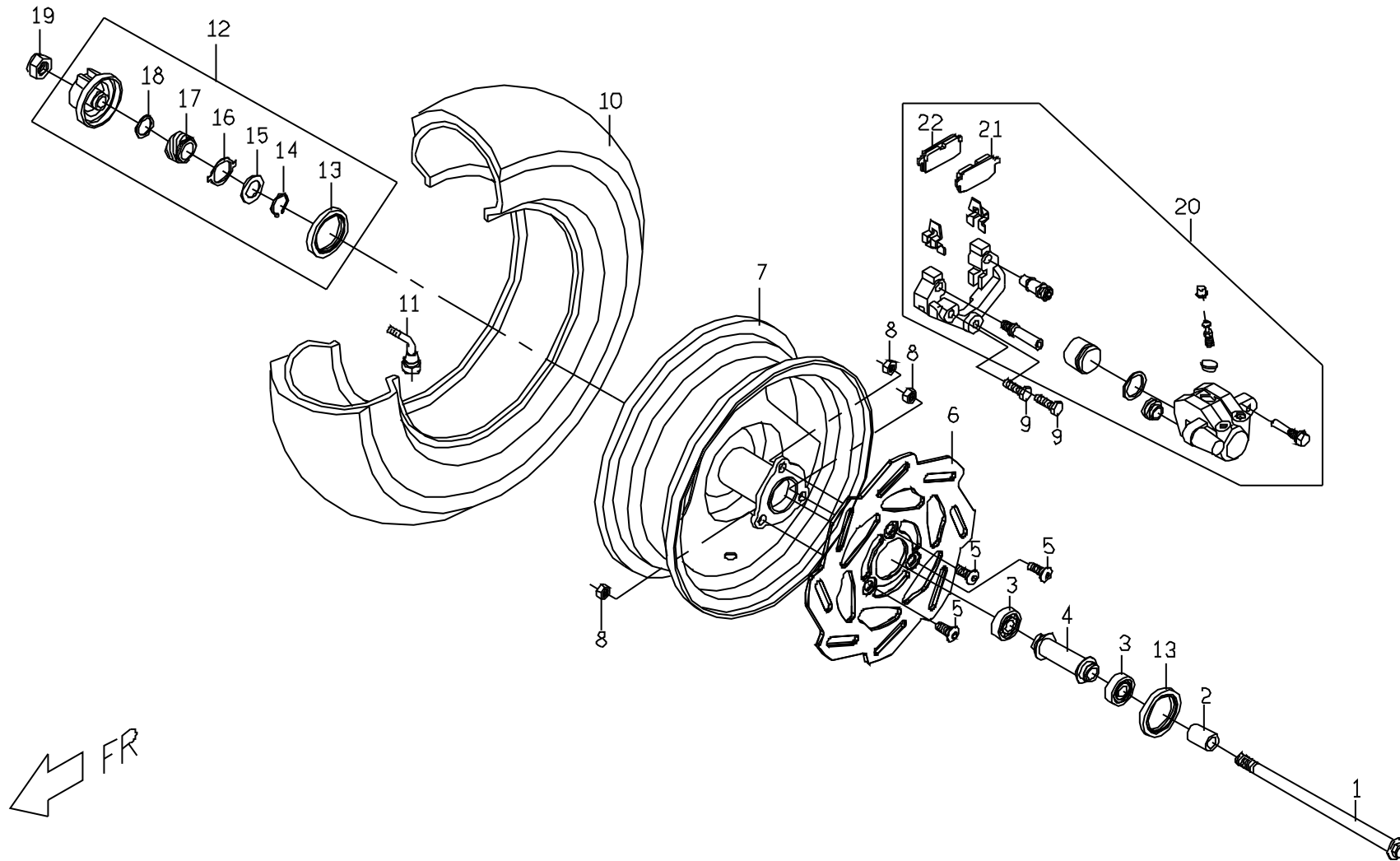
FR.



F5. FRONT FORK (PM-50/110 NAKED)

| NO. | PART NO. | PART NAME | Q'TY | FMSP |
|------------|---------------------|---------------------------------|-------------|-------------|
| 1 | P1443040000 | STEERING SHAFT LOCK NUT | 1 | Y |
| 2 | P6444051000 | OUTER BEARING CAGE | 1 | Y |
| 3 | 92140600005 | WASHER | 4 | |
| 4 | 99010500000 | BEARING BALL | 22 | |
| 5 | P1443020000 | OUTTER BEARING CAGE | 1 | |
| 6 | C1443011000 | LOWER INNER BEARING CAGE | 1 | |
| 7 | 99010600000 | BEARING BALL | 19 | |
| 8 | P24430056D03 | FRONT FORK ASSY. | 1 | Y |
| 9 | P244C2030002 | UNDER BRACKET COMP. | 1 | |
| 10 | P244C2116D03 | LH OUTER TUBE ASSY | 1 | |
| 11 | P244C2216D03 | RH OUTER TUBE ASSY | 1 | |
| 12 | C1544040000 | CABLE CLIP COMP. LH | 1 | |
| 13 | P1701030000 | CABLE TIE | 2 | |
| 14 | P26320006901 | FRONT FENDER (BLACK) | 1 | Y |
| 15 | 90050601002 | C-R RECESS PAN HD TAPPING SCREW | 4 | |
| 16 | P5544010000 | CABLE CLIP COMP | 1 | Y |
| 17 | 90190601001 | HEXAGON FLANGE BOLT | 1 | |
| 18 | P26690000001 | REFLECTOR,FR | 2 | Y |
| 19 | P1701030000 | CABLE TIE | 4 | Y |
| | | | | |
| | | | | |
| | | | | |
| | | | | |
| | | | | |
| | | | | |
| | | | | |

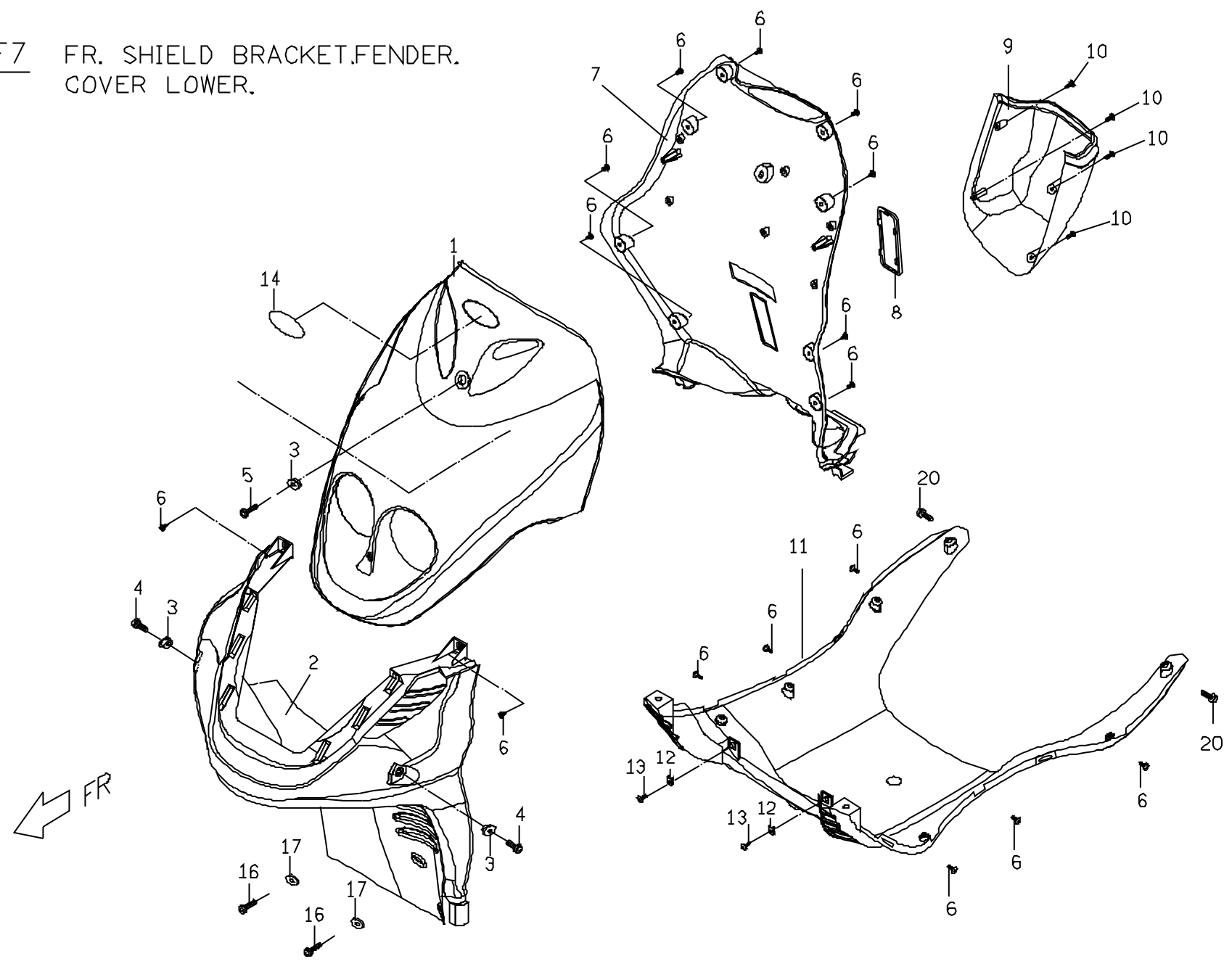
F6 輪胎。前輪圈。碟式煞車夾
TIRE.FRT WHEEL.FRT CALIPER.



F6. TIRE.FRT WHEEL.FRT CALIPER (PM-50/110 NAKED)

| NO. | PART NO. | PART NAME | Q'TY | FMSP |
|------------|---------------------|-------------------------|-------------|-------------|
| 1 | C14025010000 | AXLE, FR WHEEL | 1 | |
| 2 | P1401010000 | SPACER | 1 | |
| 3 | 96520620100 | ONE SHIELD BALL BEARING | 2 | |
| 4 | P1402400000 | SPACER COMP. | 1 | |
| 5 | E1403512000 | SCREW, FRONT BRAKE DISK | 3 | |
| 6 | P2403500000N | DISK, FR BRAKE | 1 | |
| 7 | P04011026D0 | FR WHEEL ASSY. | 1 | |
| 8 | 92400800001 | LOCK NUT | 3 | |
| 9 | 90190804002 | HEXAGON BOLT | 2 | |
| 10 | P940B320000 | TIRE 120/70-12 | 1 | Y |
| 11 | P140B330000 | VALVE | 1 | |
| 12 | P1566002000 | METER GEAR ASSY. | 1 | Y |
| 13 | 95572235700 | OIL SEAL | 1 | |
| 14 | 92171800000 | C TYPE CLIP | 1 | |
| 15 | 92141900001 | PLAIN WASHER | 1 | |
| 16 | P1566050000 | PAD | 1 | |
| 17 | P1566040000 | SPEEDMETER GEAR | 1 | |
| 18 | 92141900002 | PLAIN WASHER | 1 | |
| 19 | 92061200001 | LOCK NUT | 1 | |
| 20 | P2403300000N | FR CALIPER ASSY. | 1 | Y |
| 21 | C240C311000 | INSIDE PAD | 1 | Y |
| 22 | C240C321000 | OUTSIDE PAD | 1 | Y |
| | | | | |
| | | | | |
| | | | | |
| | | | | |

F7 FR. SHIELD BRACKET.FENDER.
COVER LOWER.



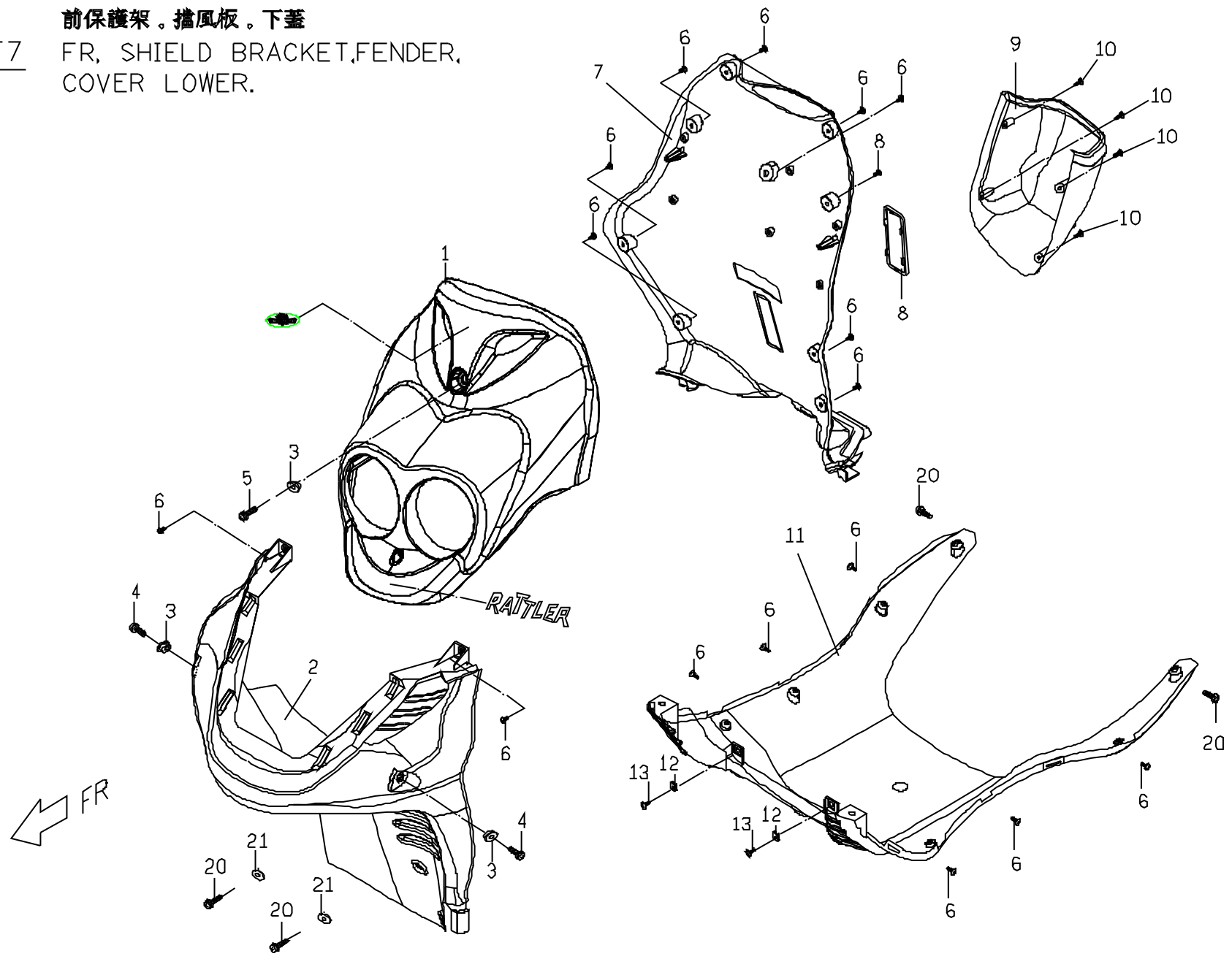
F7.1 FR. SHIELD.FENDER. FOR PM-50 NAKED

| NO. | PART NO. | PART NAME | Q'TY | FMSP |
|------------|---------------------|---------------------------------|-------------|-------------|
| 1 | P2621001E40 | WINDSHIELD (69+7L) | 1 | Y |
| 2 | P2626010650 | FR COVER, LOWER | 1 | Y |
| 3 | P1706510000 | BUSH | 3 | |
| 4 | P1621010000 | SCREW WITH WASHER | 2 | |
| 5 | P16210110001 | SCREW WITH WASHER | 1 | |
| 6 | 90130501400 | C-R RECESS PAN HD TAPPING SCREW | 16 | |
| 7 | P262C0036500 | FR INNER COVER | 1 | Y |
| 7 | P262C0036501 | FR INNER COVER | 1 | Y |
| 8 | P1623012650 | VIN COVER | 1 | Y |
| 9 | P2622000650 | FR LUGGAGE CASE | 1 | Y |
| 10 | 90110401600 | C-R RECESS PAN HD TAPPING SCREW | 4 | |
| 11 | P2626001650 | STEP FLOOR COVER, LOWER | 1 | Y |
| 12 | 92370500003 | U-TYPE SPRING NUT | 2 | |
| 13 | 90130501400 | C-R RECESS PAN HD TAPPING SCREW | 2 | |
| 14 | NA | PGO STICKER | 1 | |
| 16 | 90190601200 | HEXAGON FLANGE BOLT | 2 | |
| 17 | 92140600005 | WASHER | 2 | |
| 18 | 92140600005 | WASHER | 1 | |
| 19 | 90040601400 | HEXAGON FLANGE BOLT | 1 | |
| 20 | 90050601002 | C-R RECESS PAN HD TAPPING SCREW | 4 | |
| 21 | 92140600005 | PLAIN WASHER | 2 | |
| | | | | |

前保護架。擋風板。下蓋

F7

FR, SHIELD BRACKET, FENDER,
COVER LOWER.

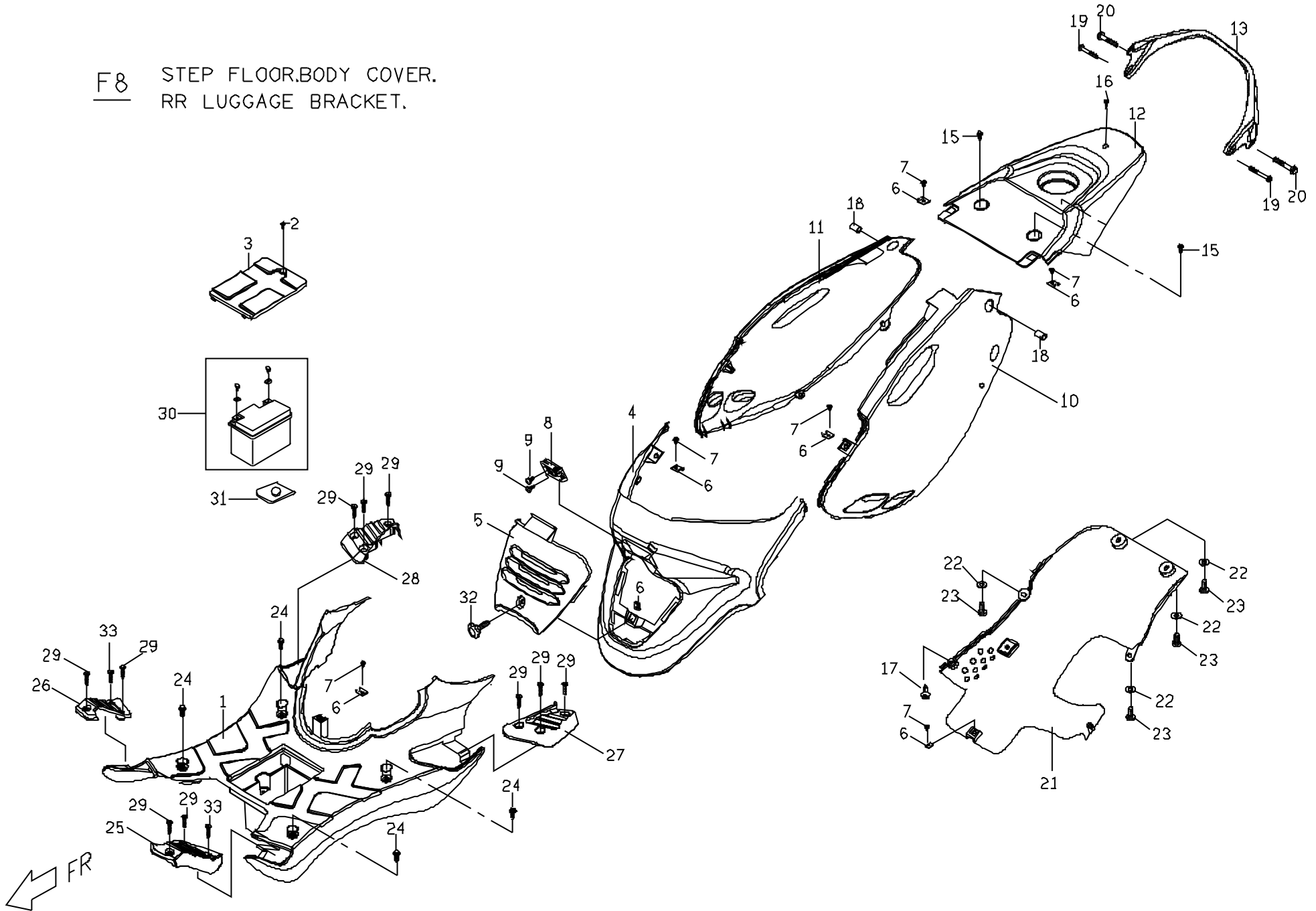


F7.2 FR. SHIELD.FENDER. FOR PM-110 NAKED

| NO. | PART NO. | PART NAME | Q'TY | FMSP |
|------------|---------------------|---------------------------------|-------------|-------------|
| 1 | P06210001J00 | WINDSHIELD (1J) | 1 | Y |
| 1 | P06210007L00 | WINDSHIELD (7L) | 1 | Y |
| 2 | P2626010650 | FR COVER, LOWER | 1 | Y |
| 3 | P1706510000 | BUSH | 3 | |
| 4 | P1621010000 | SCREW WITH WASHER | 2 | |
| 5 | P16210110001 | SCREW WITH WASHER | 1 | |
| 6 | 90130501400 | C-R RECESS PAN HD TAPPING SCREW | 16 | |
| 7 | P262C0036501 | FR INNER COVER | 1 | Y |
| 8 | P1623012650 | VIN COVER | 1 | Y |
| 9 | P2622000650 | FR LUGGAGE CASE | 1 | Y |
| 10 | 90110401600 | C-R RECESS PAN HD TAPPING SCREW | 4 | |
| 11 | P2626001650 | STEP FLOOR COVER, LOWER | 1 | Y |
| 12 | 92370500003 | U-TYPE SPRING NUT | 2 | |
| 13 | 90130501400 | C-R RECESS PAN HD TAPPING SCREW | 2 | |
| 14 | NA | PGO STICKER | 1 | |
| 16 | 90190601200 | HEXAGON FLANGE BOLT | 2 | |
| 17 | 92140600005 | WASHER | 2 | |
| 18 | 92140600005 | WASHER | 1 | |
| 19 | 90040601400 | HEXAGON FLANGE BOLT | 1 | |
| 20 | 90050601002 | C-R RECESS PAN HD TAPPING SCREW | 4 | |
| 21 | 92140600005 | PLAIN WASHER | 2 | |
| | | | | |

F8

STEP FLOOR.BODY COVER.
RR LUGGAGE BRACKET.

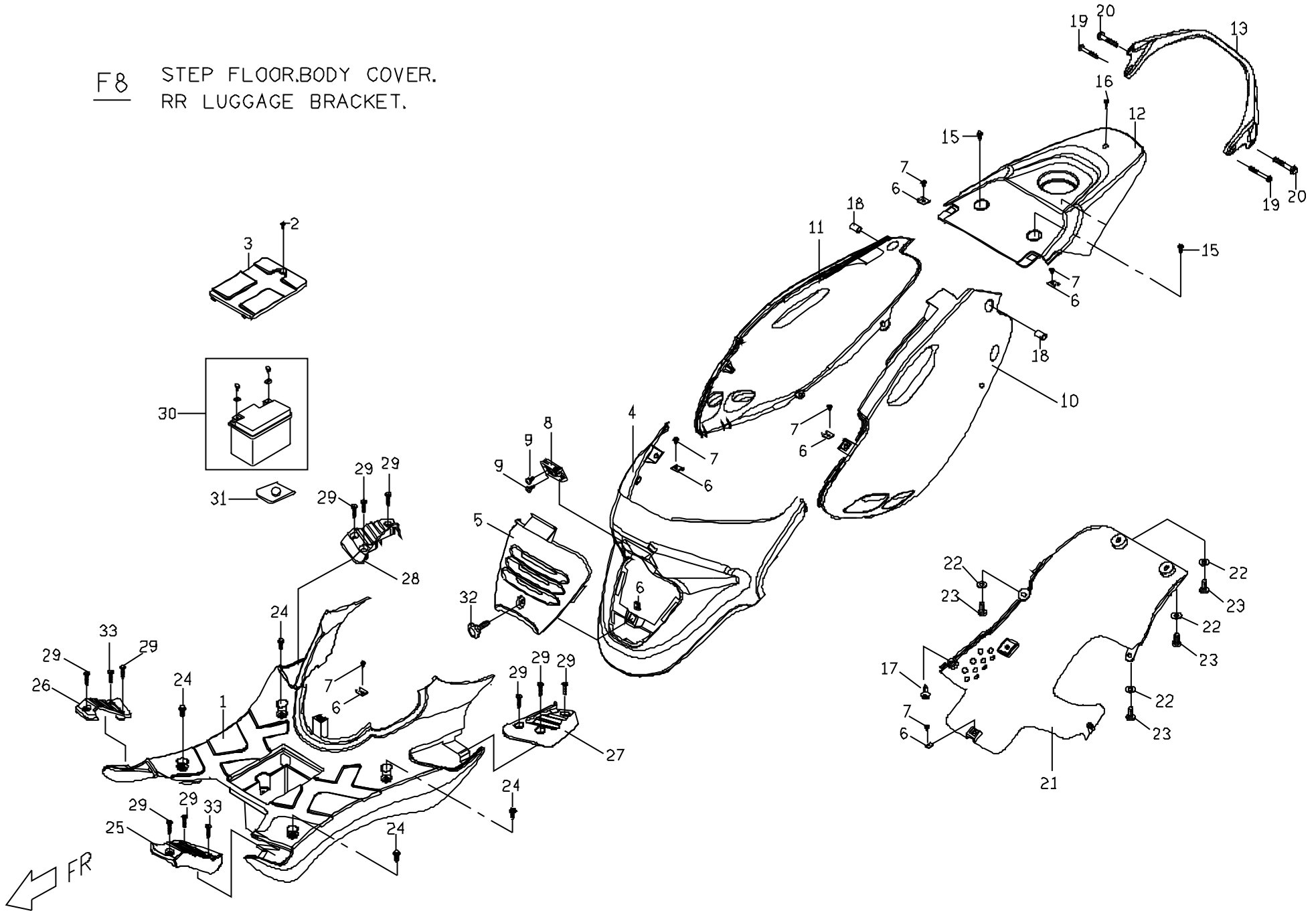


F8. STEP FLOOR.BODY COVER.RR LUGGAGE BRACKET (PM-50/110 NAKED)

| NO. | PART NO. | PART NAME | Q'TY | FMSP |
|------------|--------------------|---------------------------------|-------------|-------------|
| 1 | P2624000650 | STEP FLOOR | 1 | Y |
| 2 | 90130501400 | C-R RECESS PAN HD TAPPING SCREW | 1 | |
| 3 | P2624030650 | BATTERY COVER | 1 | Y |
| 4 | P2625040650 | BODY COVER, FR | 1 | Y |
| 5 | P2625010650 | MIDDLE COVER | 1 | Y |
| 6 | 92370500003 | U-TYPE SPRING NUT | 3 | |
| 7 | 90130501400 | C-R RECESS PAN HD TAPPING SCREW | 5 | |
| 8 | P2701210650 | HELMET HOOK ASSY. | 1 | Y |
| 9 | 90040602003 | FLANGE BOLT | 2 | |
| 10 | P2625301E40 | LH BODY COVER(69+7L) | 1 | Y |
| 11 | P2625500E40 | RH BODY COVER(69+7L) | 1 | Y |
| 12 | P26257007L0 | REAR COVER (7L) | 1 | Y |
| 10 | P2625301K10 | LH BODY COVER(1J+69) | 1 | Y |
| 11 | P2625500K10 | RH BODY COVER(1J+69) | 1 | Y |
| 12 | P26257001J0 | REAR COVER (1J) | 1 | Y |
| 10 | P2625301D00 | LH BODY COVER(7L+69) | 1 | Y |
| 11 | P2625500D00 | RH BODY COVER(7L+69) | 1 | Y |
| 12 | P26257007L0 | REAR COVER (7L) | 1 | Y |
| 13 | P0676011770 | RR LUGGAGE BRACKET | 1 | Y |
| 15 | 90190601200 | HEXAGON FLANGE BOLT | 2 | |
| 16 | E1621010000 | SCREW WITH WASHER | 1 | |
| 17 | E1701040000 | PLASTIC SCREW | 1 | |
| 18 | P1421480000 | BUSH | 2 | |
| 19 | 90190603502 | HEXAGON FLANGE BOLT | 2 | |
| 20 | 90190804501 | HEXAGON FLANGE BOLT | 2 | |
| 21 | P2625022650 | BODY COVER , LOWER | 1 | Y |
| 22 | 92140600005 | WASHER | 4 | |

F8

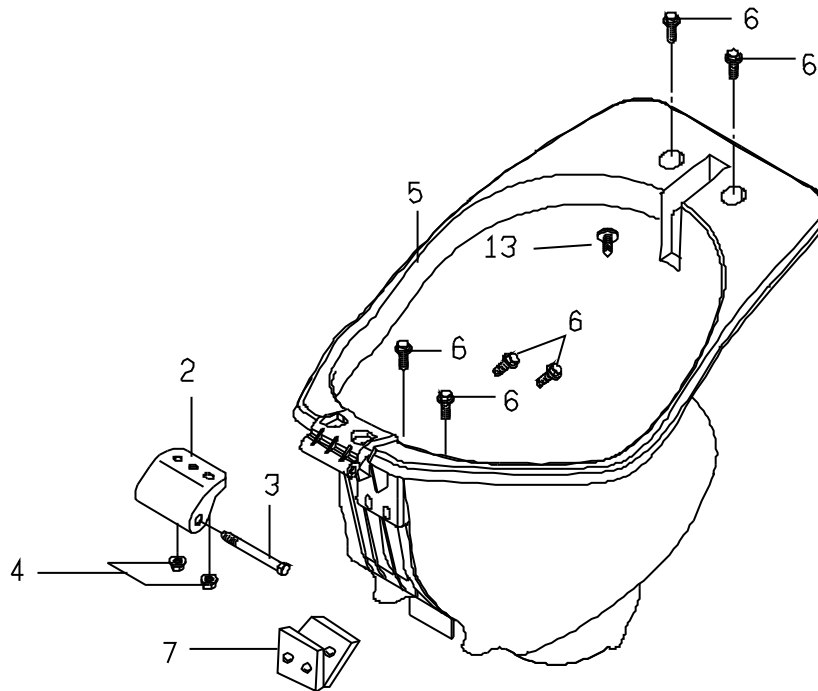
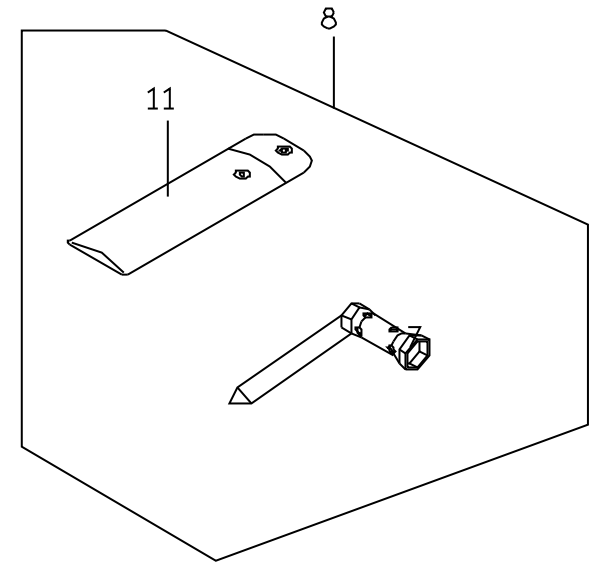
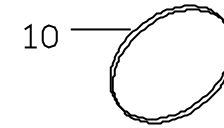
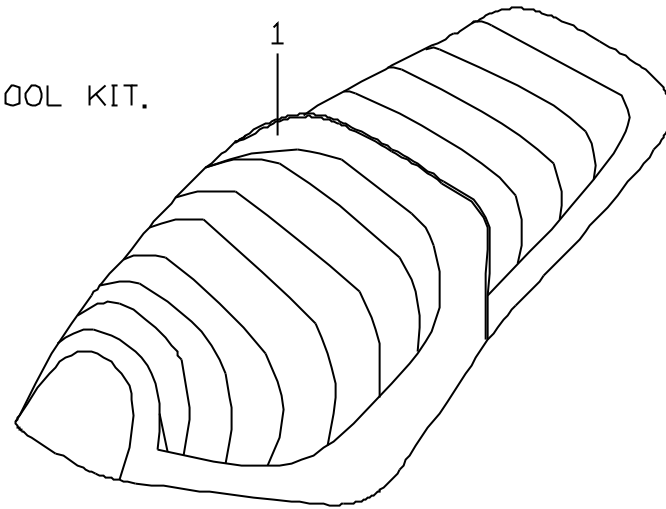
STEP FLOOR.BODY COVER.
RR LUGGAGE BRACKET.



F8. STEP FLOOR.BODY COVER.RR LUGGAGE BRACKET (PM-50/110 NAKED)

| NO. | PART NO. | PART NAME | Q'TY | FMSP |
|------------|---------------------|---------------------------------|-------------|-------------|
| 23 | 90040601400 | C-R RECESS PAN HD TAPPING SCREW | 4 | |
| 24 | 90200602500 | HEXAGON FLANGE BOLT | 4 | |
| 25 | P2624011900 | STEP PLATE, LH FRT | 1 | Y |
| 26 | P262D011900 | STEP PLATE, RH FRT | 1 | Y |
| 27 | P2624020900 | STEP PLATE, LH RR | 1 | Y |
| 28 | P262D020900 | STEP PLATE, RH RR | 1 | Y |
| 29 | 90210601602 | C-R PAN HD MACHINE SCREW | 10 | |
| 30 | P5583000000 | BATTERY | 1 | |
| 30 | E95830000001 | BATTERY | 1 | |
| 31 | P15830100001 | BATTERY PAD | 1 | |
| 32 | P2706020000 | C-R RECESS PAN HD TAPPING SCREW | 1 | |
| 33 | 90210602200 | C-R PAN HD MACHINE SCREW | 2 | |
| | | | | |
| | | | | |
| | | | | |
| | | | | |
| | | | | |
| | | | | |
| | | | | |
| | | | | |
| | | | | |
| | | | | |
| | | | | |

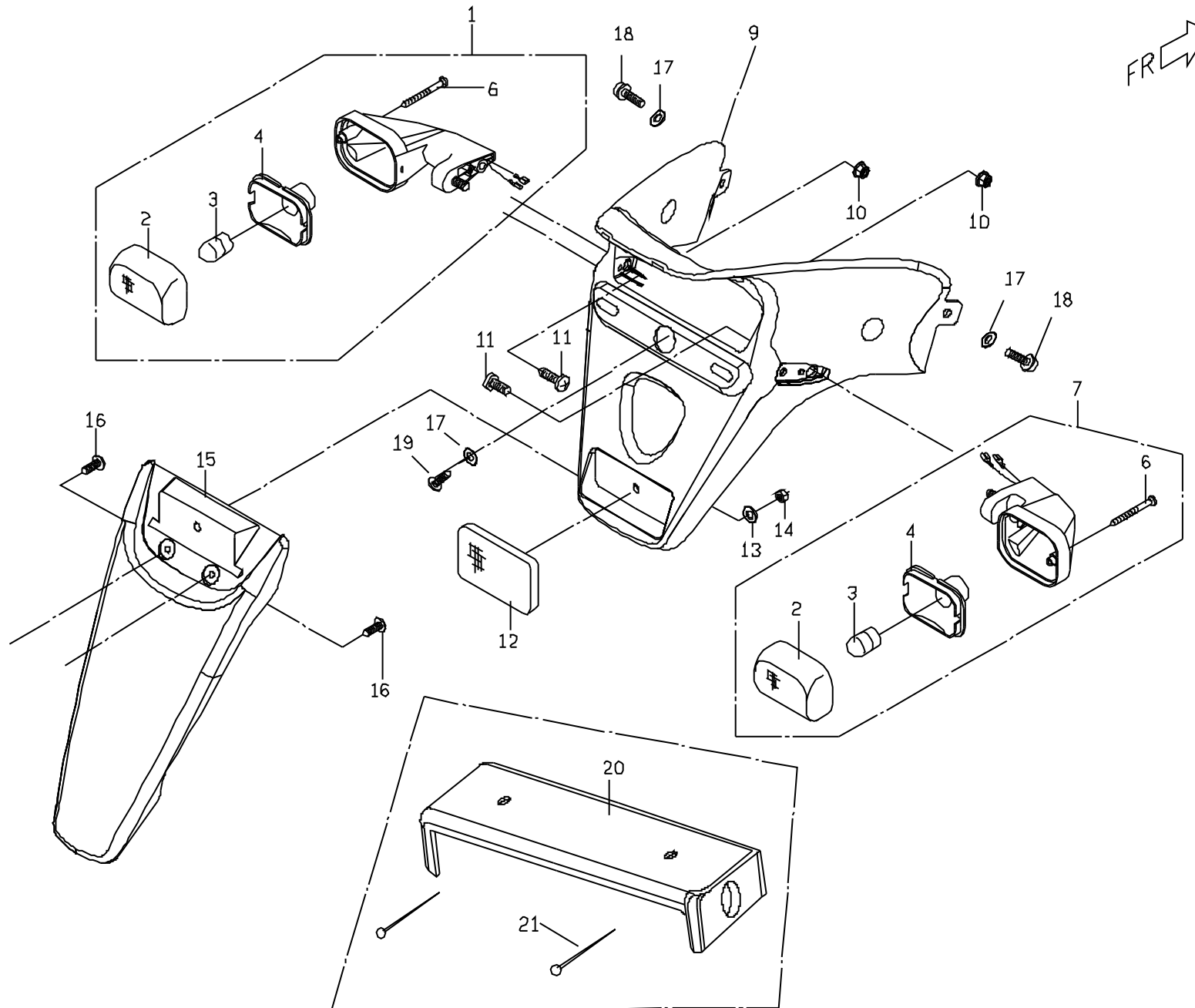
F9 座墊。置物箱。工具包
SEAT, HELMET CASE, TOOL KIT.



F9.SEAT.HELMET CASE.TOOL KIT (PM-50/110 NAKED)

| NO. | PART NO. | PART NAME | Q'TY | FMSP |
|------------|-----------------|----------------------------|-------------|-------------|
| 1 | P267100000N | SEAT ASSY.(BLACK WITH RED) | 1 | Y |
| 2 | P1681061000 | BRACKET | 1 | |
| 3 | P1681071000 | SPECIAL BOLT | 1 | |
| 4 | 92040600000 | HEXAGON FLANGE NUT | 2 | |
| 5 | P2681002000 | MET-IN COMP. | 1 | Y |
| 6 | 90190601500 | FLANGE BOLT | 6 | |
| 7 | P2706010000 | BRACKET, SEAT HOOK | 1 | |
| 8 | E9706421000 | TOOL SET ASSY. | 1 | |
| 9 | NA | SPARK PLUG SPANNER | 1 | |
| 10 | P6701030000 | TOOL SET CLIP | 1 | |
| 11 | P6701030000 | TOOL BAND | 1 | |
| 12 | NA | NOTICE STICKER | 1 | |
| 13 | 90130501400 | TAPPING SCREW | 1 | |
| | | | | |
| | | | | |
| | | | | |
| | | | | |
| | | | | |
| | | | | |
| | | | | |
| | | | | |
| | | | | |
| | | | | |
| | | | | |
| | | | | |
| | | | | |
| | | | | |
| | | | | |
| | | | | |
| | | | | |
| | | | | |

F10 LICENSE PLATE,TURN SIGNAL REAR

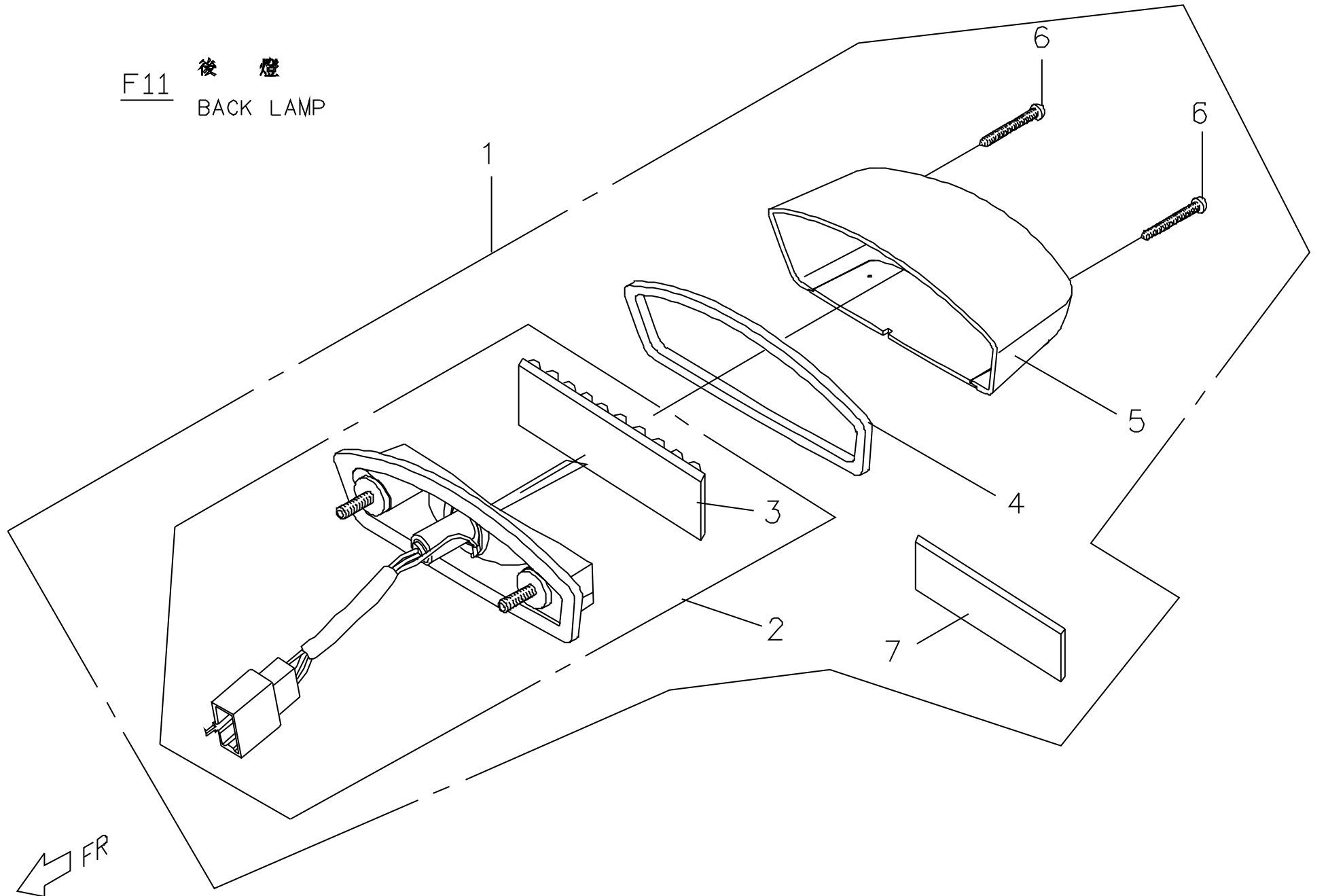


OPTIONAL PARTS FOR DOT SPEC.

F10. LICENSE PLATE.TURN SIGNAL REAR (PM-50/110 NAKED)

| NO. | PART NO. | PART NAME | Q'TY | FMSP |
|------------|-----------------|---------------------------------|-------------|-------------|
| 1 | C166G0100006 | LH RR SIGNAL LAMP ASSY | 1 | Y |
| 2-1 | C166G0200006 | LH SIGNAL LAMP COVER | 1 | Y |
| 2-2 | C166H0200006 | RH SIGNAL LAMP COVER | 1 | Y |
| 3 | 98211221990 | BULB | 2 | Y |
| 4 | NA | TURN SIGNAL LAMP COMP. | 2 | |
| 5 | NA | LH RR TURN SIGNAL LAMP SHELL | 1 | |
| 6 | P066C080000 | TAPPING SCREW | 2 | |
| 7 | C166H0100006 | RH RR SIGNAL LAMP ASSY. | 1 | Y |
| 8 | NA | RH RR TURN SIGNAL LAMP SHELL | 1 | |
| 9 | P26360026500 | LICENCE PLATE | 1 | |
| 10 | 92040600000 | HEXAGON FLANGE NUT | 2 | |
| 11 | 90110401200 | TAPPING SCREW | 4 | |
| 12 | C5669000000 | REFLECTOR | 1 | Y |
| 13 | 92140500014 | WASHER | 1 | |
| 14 | 92020500000 | HEXAGON NUT | 1 | |
| 15 | P2635001650 | LOWER FENDER | 1 | |
| 16 | 90110401200 | C-R RECESS PAN HD TAPPING SCREW | 2 | |
| 17 | 92140600005 | REAR FENDER MARK | 3 | |
| 18 | 90050601002 | C-R RECESS PAN HD TAPPING SCREW | 2 | |
| 19 | 90040601400 | C-R RECESS PAN HD TAPPING SCREW | 1 | |
| 20 | P27060706000 | FIXED PLATE, RR TURN SIGNAL | 1 | |
| 21 | C16690000001 | SIDE REFLECTOR | 2 | Y |
| 22 | 92140500014 | REAR FENDER MARK | 2 | |
| 23 | 92040600000 | HEXAGON FLANGE NUT | 2 | |
| | | | | |
| | | | | |
| | | | | |
| | | | | |
| | | | | |

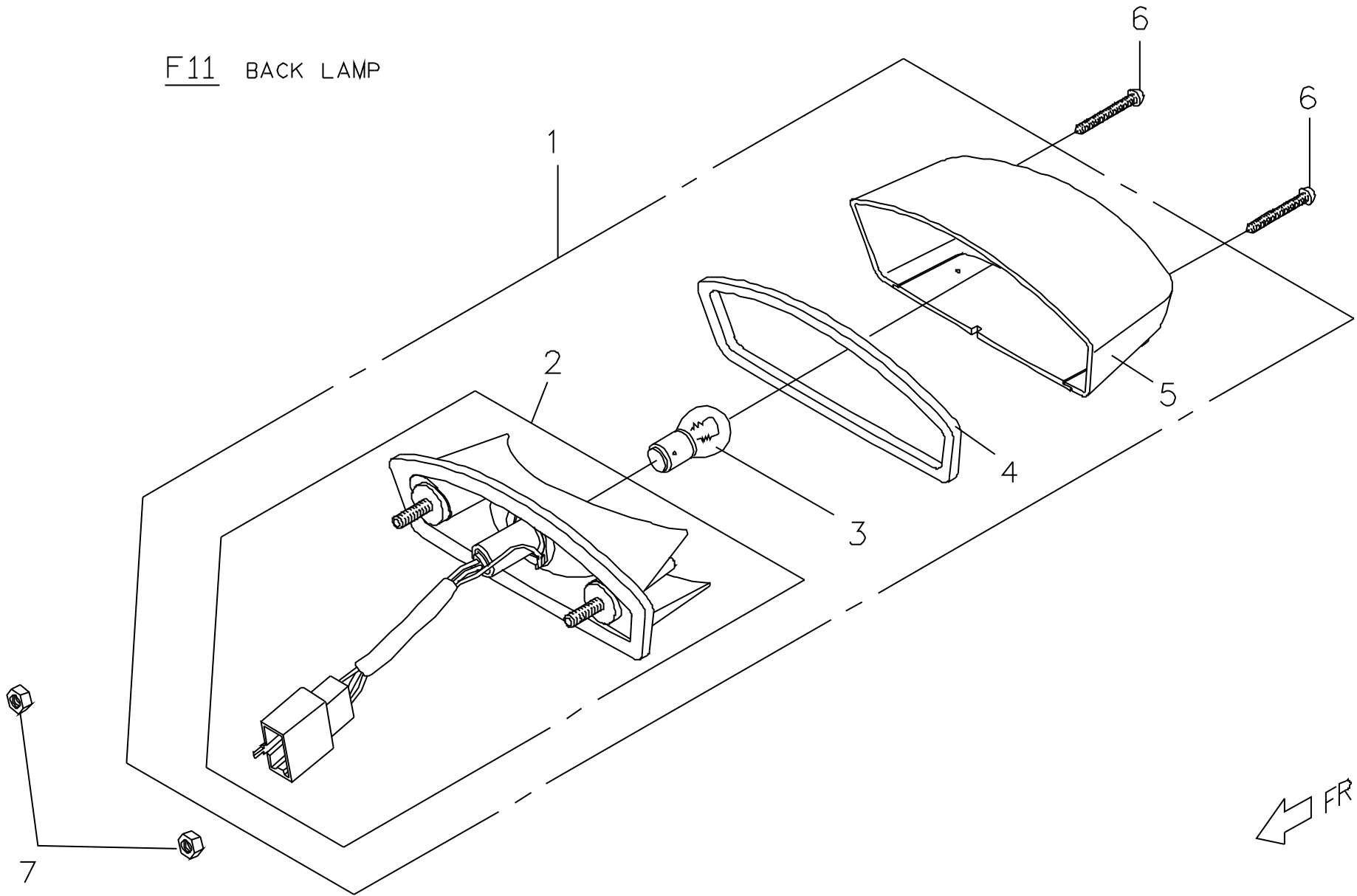
F11 後 燈
BACK LAMP



F11.1 BACK LAMP (PM-50 FOR PM-50 NAKED

| NO. | PART NO. | PART NAME | Q'TY | FMSP |
|------------|-----------------|-------------------|-------------|-------------|
| 1 | P2666000000N | BACK LAMP ASSY. | 1 | Y |
| 2 | P266F090000N | SOCKET | 1 | |
| 3 | NA | BULB | 1 | |
| 4 | P266F070000N | GASKET | 1 | |
| 5 | P266F030000N | LAMP COVER | 1 | |
| 6 | P266F050000N | TAPPING SCREW | 2 | |
| 7 | P266F040000N | PLASTIC REFLECTOR | 1 | |
| | | | | |
| | | | | |
| | | | | |
| | | | | |
| | | | | |
| | | | | |
| | | | | |
| | | | | |
| | | | | |
| | | | | |
| | | | | |
| | | | | |
| | | | | |
| | | | | |
| | | | | |
| | | | | |
| | | | | |
| | | | | |
| | | | | |

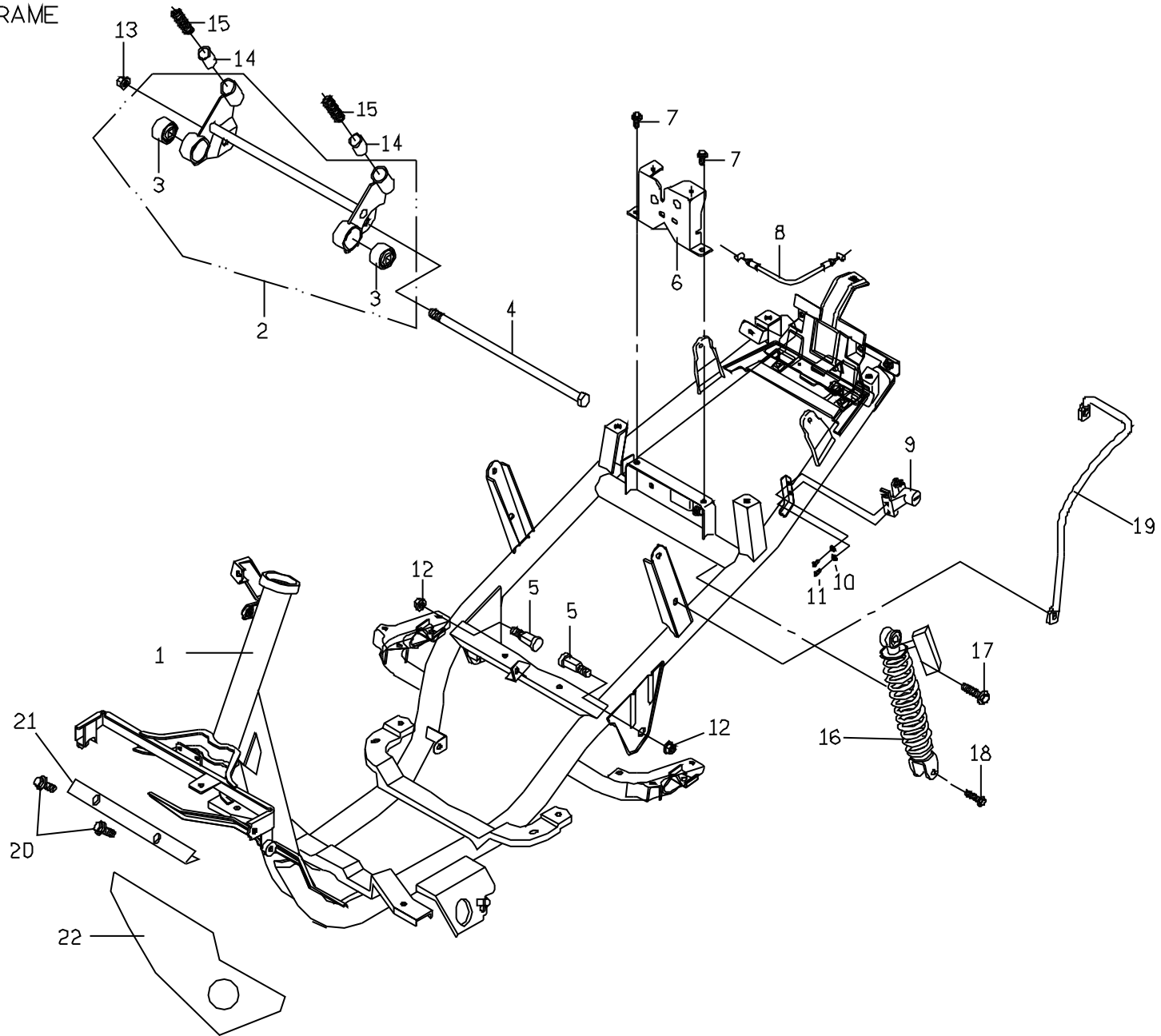
F11 BACK LAMP



F11.2 BACK LAMP (PM-11 FOR PM-110 NAKED

| NO. | PART NO. | PART NAME | Q'TY | FMSP |
|------------|-----------------|------------------|-------------|-------------|
| 1 | P26660000002 | BACK LAMP ASSY. | 1 | Y |
| 2 | P266F0900002 | SOCKET | 1 | |
| 3 | 98311221051 | BULB 21/5W | 1 | |
| 4 | P266F070000 | GASKET | 1 | |
| 5 | P266F030000 | LAMP COVER | 1 | |
| 6 | P266F050000 | TAPPING SCREW | 2 | |
| | | | | |
| | | | | |
| | | | | |
| | | | | |
| | | | | |
| | | | | |
| | | | | |
| | | | | |
| | | | | |
| | | | | |
| | | | | |
| | | | | |
| | | | | |
| | | | | |
| | | | | |
| | | | | |
| | | | | |
| | | | | |
| | | | | |
| | | | | |
| | | | | |

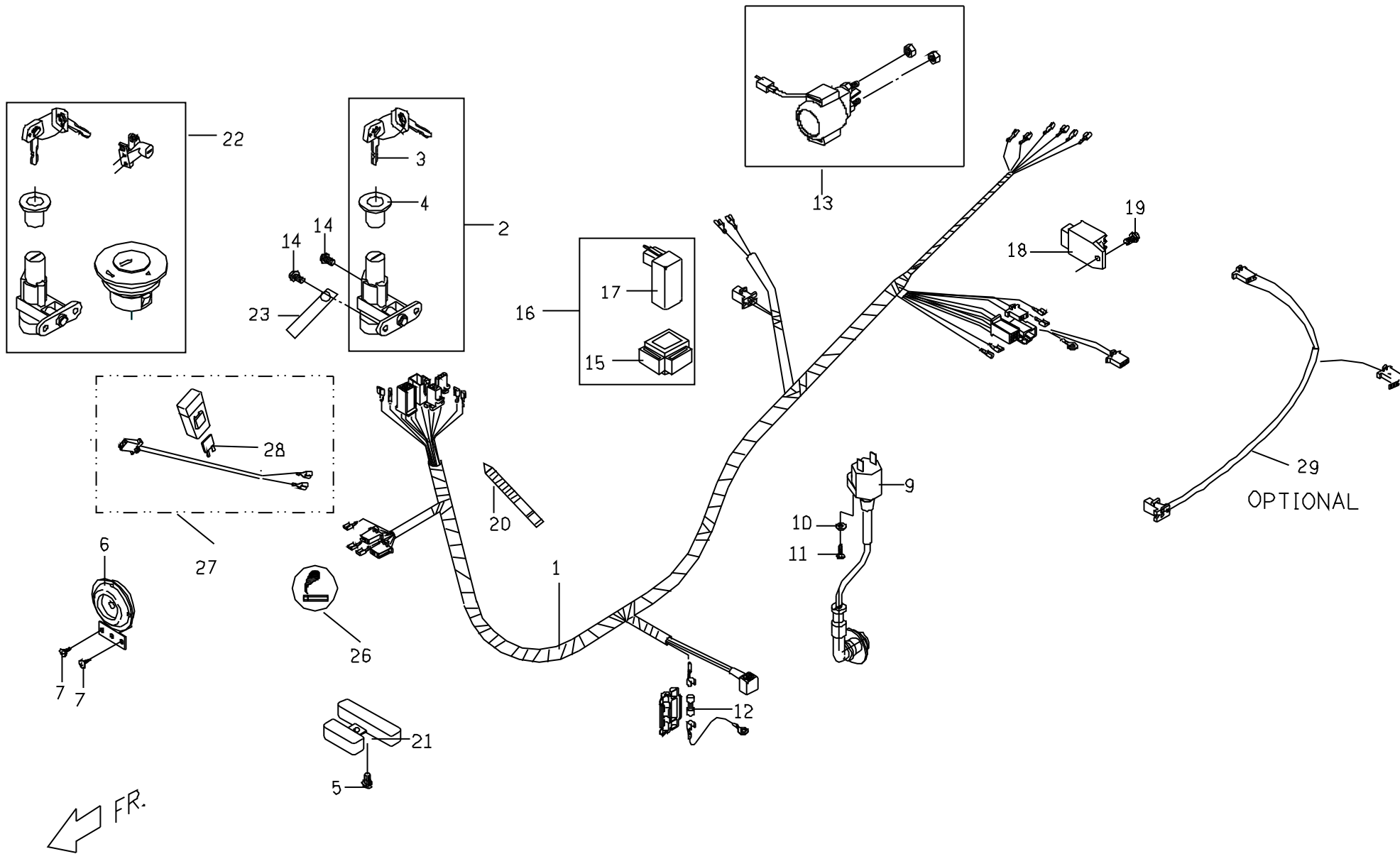
F12 FRAME



F12. FRAME (PM-50/110 NAKED)

| NO. | PART NO. | PART NAME | Q'TY | FMSP |
|-----|--------------|-------------------------------|------|------|
| 1 | P842A0036002 | FRAME COMP. (W/O SIDE SENSOR) | 1 | |
| 1 | P042A0006001 | FRAME COMP. (W/O SIDE SENSOR) | 1 | |
| 2 | P2486002000 | ENGINE HANGER COMP. | 1 | Y |
| 3 | E1486011000 | CUSHION RUBBER | 2 | |
| 4 | 90021228000 | HEXAGON BOLT | 1 | |
| 5 | P1486010000 | BOLT | 2 | |
| 6 | P167A300000 | SEAT LOCK COMP. | 1 | Y |
| 7 | 90190601603 | HEXAGON FLANGE BOLT | 2 | |
| 8 | P2671120000 | SEAT LOCK LEVER CABLE | 1 | Y |
| 9 | P1558000000 | SEAT LOCE ASSY. | 1 | |
| 10 | 92110500000 | SPRING WASHER | 2 | |
| 11 | 90020501000 | HEXAGON BOLT | 2 | |
| 12 | 92061000001 | HEXAGON LOCK NUT | 2 | |
| 13 | 92061200000 | LOCK NUT | 1 | |
| 14 | E1486040000 | RUBBER, DAMPER | 2 | |
| 15 | E1486050000 | SPRING COMPRESSION | 2 | |
| 16 | P2481000000A | CUSHION ASSY., RR | 1 | Y |
| 17 | 90191004000 | HEXAGON FLANGE BOLT | 1 | |
| 18 | 90190803201 | HEXAGON FLANGE BOLT | 1 | |
| 19 | P2421300000 | HANDLE, FRAME | 1 | |
| 20 | 90190601001 | HEXAGEON FLANGE BOLT(M6*10L) | 2 | |
| 21 | P2421600000 | HOLDER,DUSTPROOF | 1 | |
| 22 | P2637000000 | DUSTPROOF,FR | 1 | |
| | | | | |
| | | | | |
| | | | | |
| | | | | |
| | | | | |

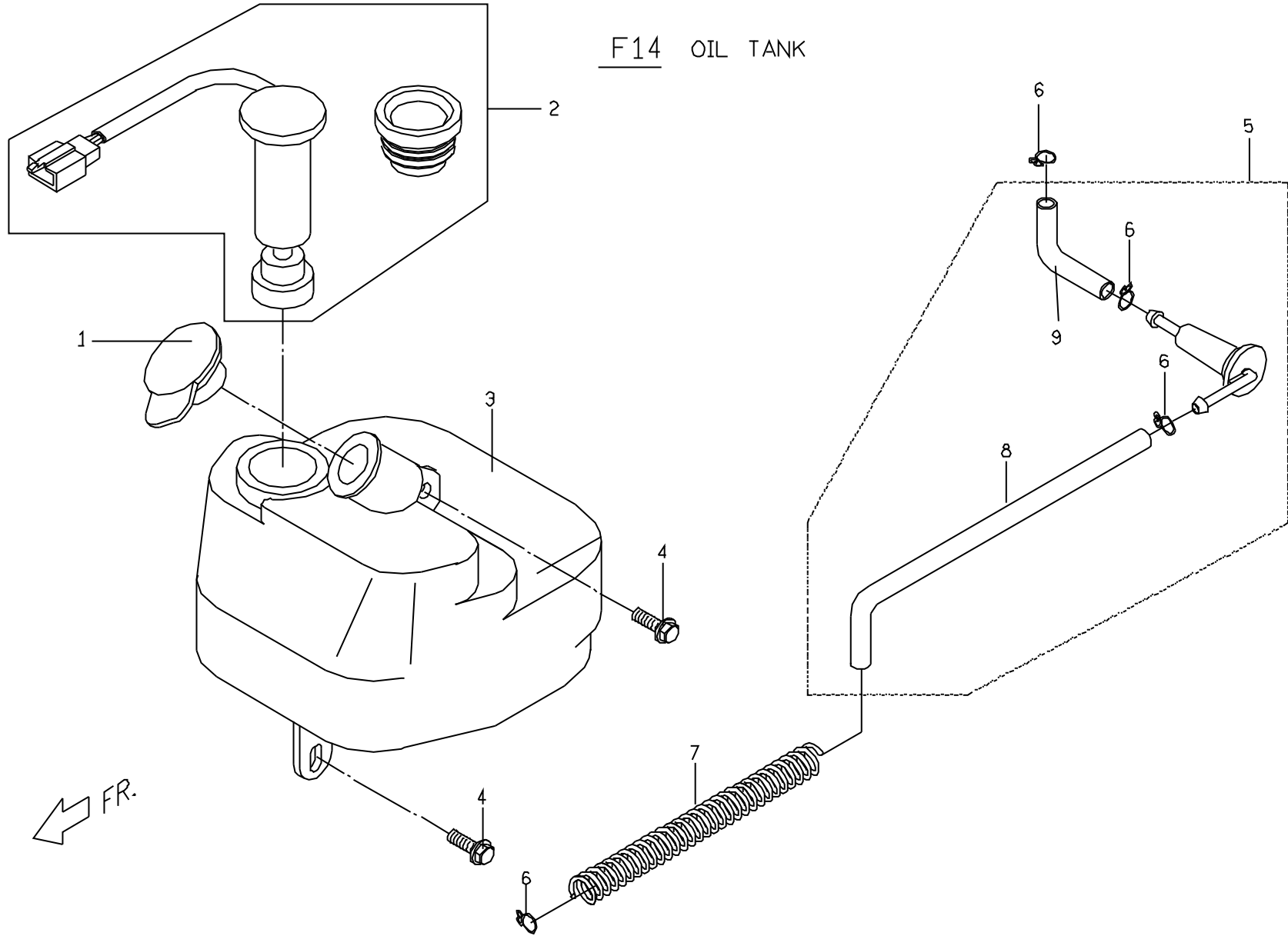
F13 WIRE HARNESS



F13. WIRE HARNESS (PM-50/110 NAKED)

| NO. | PART NO. | PART NAME | Q'TY | FMSP |
|------------|-----------------|-------------------------------------|-------------|-------------|
| 1 | P2581601000N | WIRE HARNESS | 1 | Y |
| 1 | P0581600000A | WIRE HARNESS | 1 | Y |
| 2 | P2552000000N | IGNITION SWITCH ASSY. | 1 | Y |
| 3 | P255B010000 | KEY | 2 | |
| 4 | P255B020000N | SWITCH INDICATED COVER | 1 | |
| 5 | 90190601001 | HEXAGON FLANGE BOLT | 2 | |
| 6 | P1583600000 | HORN | 1 | Y |
| 7 | 90040601000 | SCREW WITH WASHER | 2 | |
| 8 | P15866000002 | RESISTER B | 1 | Y |
| 8 | P2586600000A | RESISTER | 1 | Y |
| 6 | C1583600000 | HORN | 1 | Y |
| 7 | 90190801200 | SCREW WITH WASHER | 2 | |
| 8 | P0586600000 | RESISTER B | 1 | Y |
| 9 | C15846010001 | IGNITION COIL COMP. | 1 | Y |
| 10 | 92110500000 | SPRING WASHER | 1 | |
| 11 | 90070502000 | C-R RECESS PAN HD NACHING SCREW | 1 | |
| 12 | E1581630000 | FUSE | 1 | |
| 13 | P9581000000 | STARTER RELAY WITH BRACKET ASSY. | 1 | Y |
| 13 | C1581001000 | STARTER RELAY WITH BRACKET ASSY. | 1 | Y |
| 14 | 90260601600 | INNER DOUBLE BOX-END BOLT WITH HEAD | 2 | |
| 15 | P1701190000 | RUBBER BRACKET | 1 | |
| 17 | E9582000000 | CDI UNIT COMP. | 1 | Y |
| 18 | C15840010000 | VOLTAGE REGULATOR COMP. | 1 | Y |
| 19 | 90190601500 | FLANGE BOLT | 3 | |
| 20 | E1701031000 | RUBBER BRACKET | 1 | |
| 22 | P2551000000N | KEYLOCK SET | 1 | Y |
| 22 | P2551000000A | KEYLOCK SET | 1 | Y |
| 23 | 92240007800 | WIRE CLIP | 1 | |
| 24 | 90190601200 | FLANGE BOLT | 2 | |
| 25 | E1701031000 | RUBBER BAND | 1 | |
| 26 | P2581660000 | HEAD LIGHT ADAPTOR | 1 | Y |

F14 OIL TANK

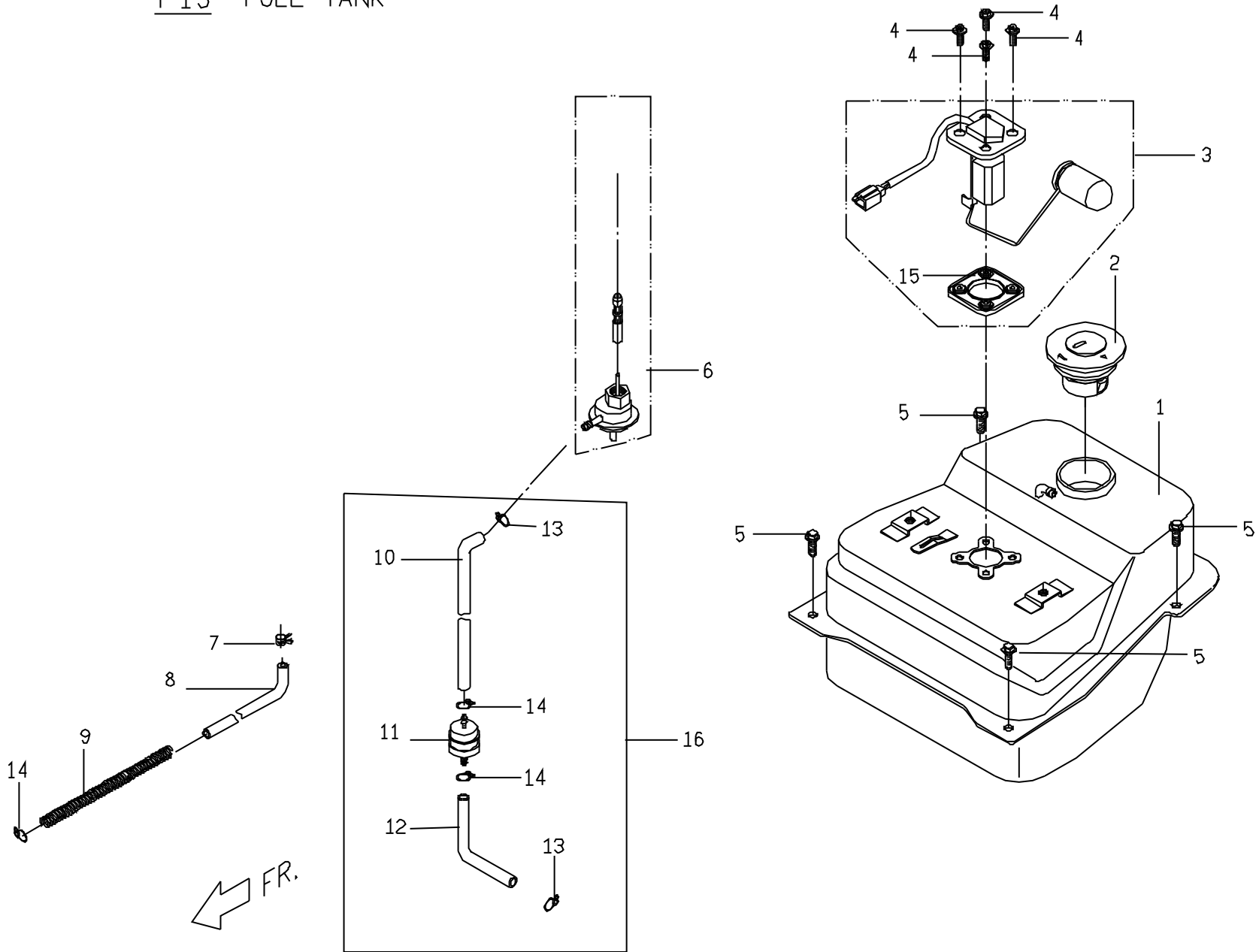


← FR.

F14. OIL TANK (PM-50/110 NAKED)

| NO. | PART NO. | PART NAME | Q'TY | FMSP |
|------------|-----------------|---------------------|-------------|-------------|
| 1 | P1522300000 | OIL TANK COVER | 1 | Y |
| 2 | P2522700000 | OIL GAUGE COMP. | 1 | Y |
| 3 | P2522503000 | OIL TANK | 1 | Y |
| 4 | 90190601200 | HEXAGON FLANGE BOLT | 2 | |
| 5 | P1522202000 | OIL FILTER ASSY. | 1 | Y |
| 6 | E1706020000 | CLIP | 4 | |
| 7 | P1706611000 | COMPRESS SPRING | 1 | |
| 8 | NA | PLUG | 1 | |
| | | | | |
| | | | | |
| | | | | |
| | | | | |
| | | | | |
| | | | | |
| | | | | |
| | | | | |
| | | | | |
| | | | | |
| | | | | |
| | | | | |
| | | | | |
| | | | | |
| | | | | |
| | | | | |
| | | | | |
| | | | | |
| | | | | |
| | | | | |
| | | | | |
| | | | | |
| | | | | |
| | | | | |
| | | | | |
| | | | | |

F15 FUEL TANK



F15. FUEL TANK (PM-50/110 NAKED)

| NO. | PART NO. | PART NAME | Q'TY | FMSP |
|------------|-----------------|-----------------------------|-------------|-------------|
| 1 | P25215020001 | FUEL TANK ASSY.(W/O EEC) | 1 | Y |
| 2 | P25213010001 | FUEL TANK COVER(W/O EEC) | 1 | Y |
| 1 | P25215020000 | FUEL TANK ASSY.(W/H EEC) | 1 | Y |
| 2 | P2521301000 | FUEL TANK COVER(W/H EEC) | 1 | Y |
| 3 | P25217010000 | FUEL GAUGE ASSY. | 1 | Y |
| 4 | 90200501400 | SCREW WITH WASHER | 4 | |
| 5 | 90190601200 | HEXAGON FLANGE BOLT | 4 | |
| 6 | P6523000000 | AUTO COCK | 1 | Y |
| 7 | KP706370000 | CLIP | 1 | |
| 8 | P1526013000 | HOSE, NEGATIVE PRESURE | 1 | |
| 9 | P1706611000 | COMPRESSION SPRING | 1 | |
| 10 | P152A0300001 | GAS HOSE (FILTER-AUTO COCK) | 1 | |
| 11 | P652A0100001 | FUEL FILTER | 1 | |
| 12 | P252A020000 | GAS HOSE (CRBURETOR-FILTER) | 1 | |
| 13 | 92220800001 | PVC PROTECTION HOSE | 1 | |
| 14 | 92220900001 | CLIP | 5 | |
| 15 | P252A7100000 | RUBBER WASHER | 1 | |
| 16 | P2521200000 | FUEL FILTER ASSY. | 1 | Y |
| | | | | |
| | | | | |
| | | | | |
| | | | | |
| | | | | |
| | | | | |
| | | | | |
| | | | | |
| | | | | |
| | | | | |
| | | | | |
| | | | | |
| | | | | |
| | | | | |
| | | | | |

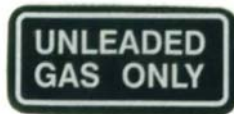
F16. LABELS_(NAKED)



1



2



3



4



5



6



7

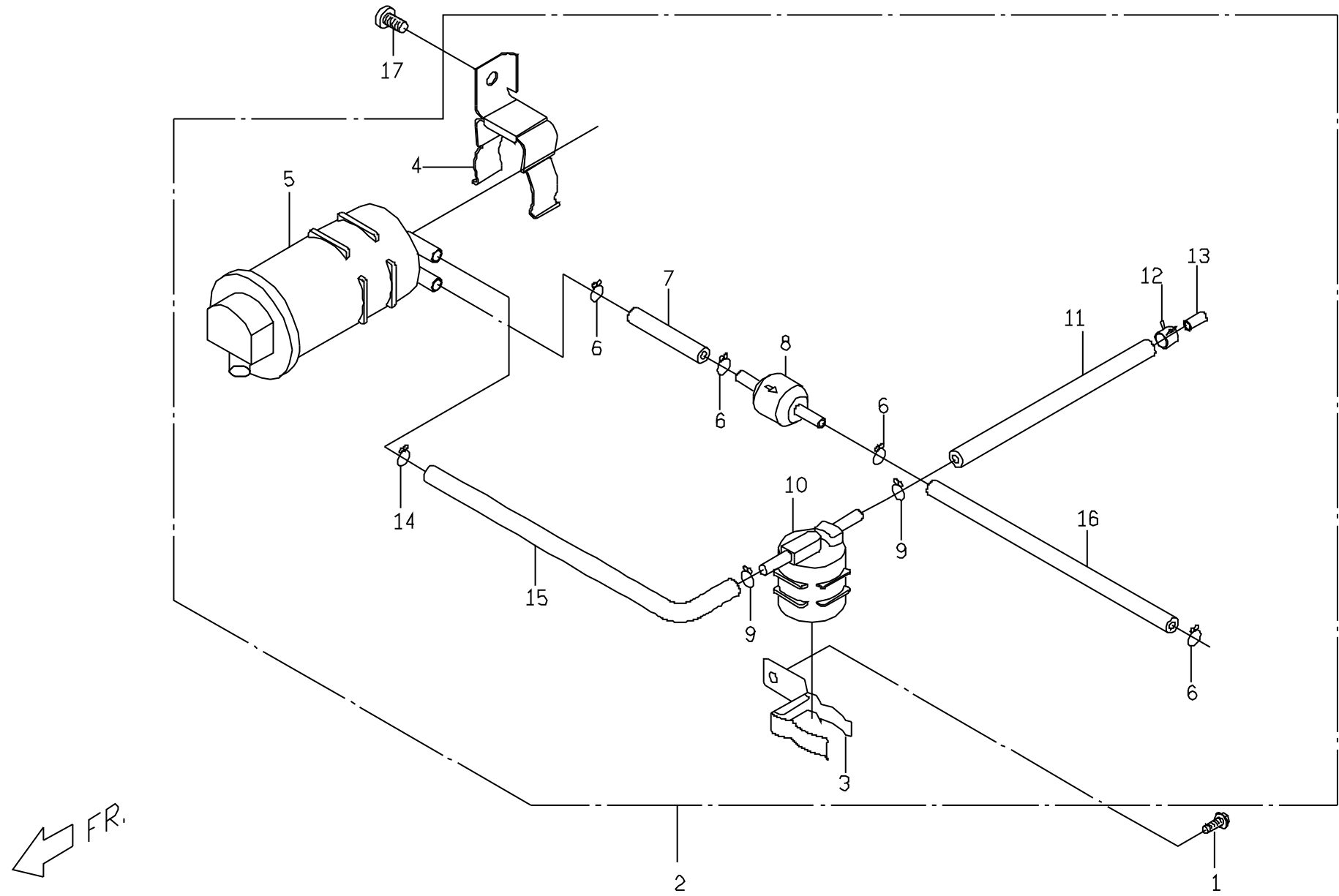


8

F16. LABLE (PM-50/110 N/ GENUINE

| NO. | PART NO. | PART NAME | Q'TY | FMSP |
|------------|---------------------|-------------------------------------|-------------|-------------|
| 1 | C16030000001 | NOTICE STICKER | 1 | |
| 2 | P66014000000 | STICKER, GENUINE SCOOTER | 1 | Y |
| 3 | P1603040000 | FUEL TYPE LABEL | 1 | |
| 4 | P26015900000 | "RATTLER" WINDSHIELD STICKET | 1 | Y |
| 5 | P26016000000 | "RATTLER" BODY STICKET | 2 | Y |
| 6 | M26012900000 | G WINSHIELD ORNAMENT STICKER | 1 | Y |
| 7 | P06011500000 | RATTLER BODY COVER STICKER | 2 | Y |
| 8 | P06011600000 | RATTLER WINDSHIELD STICKER | 1 | Y |
| | | | | |
| | | | | |
| | | | | |
| | | | | |
| | | | | |
| | | | | |
| | | | | |
| | | | | |
| | | | | |
| | | | | |
| | | | | |
| | | | | |

F17 燃料蒸發HC控制系統
E.E.C SYSTEM



F17. EEC SYSTEM(PM-11)**NAKED-110 ONLY**

| No. 項目 | Part No. 零件號碼 | PART NAME 零件英文名稱 | Q'TY 數量 | FMSP |
|-----------|------------------|---------------------------------|------------|------|
| 1 | 90040601400 | C-R RECESS PAN HD.TAPPING SCREW | 1 | |
| 2 | P1524000000 | E.E.C. SYSTEM | 1 | |
| 4 | P1524030000 | BRACKET,CANISTER | 1 | |
| 5 | E9524010000 | CANISTER | 1 | |
| 6 | E952D010000 | CLIP | 4 | |
| 7 | 92350404000 | RUBBER TUBE | 1 | |
| 8 | P1524120000 | | 1 | |
| 9 | E9706240000 | CLIP | 2 | |
| 10 | E9524020000 | FUEL CUTTING VALVE | 1 | |
| 11 | 92350535000 | RUBBER TUBE | 1 | |
| 12 | E9706230000 | CLIP | 3 | |
| 13 | E9524070000 | FLOW LIMIT | | |
| 14 | E952D010000 | CLIP | 1 | |
| 15 | E95260500003 | RUBBER TUBE | 1 | |
| 16 | 92350538500 | RUBBER TUBE | 1 | |
| 17 | 90040601400 | C-R RECESS PAN HD.TAPPING SCREW | 1 | |

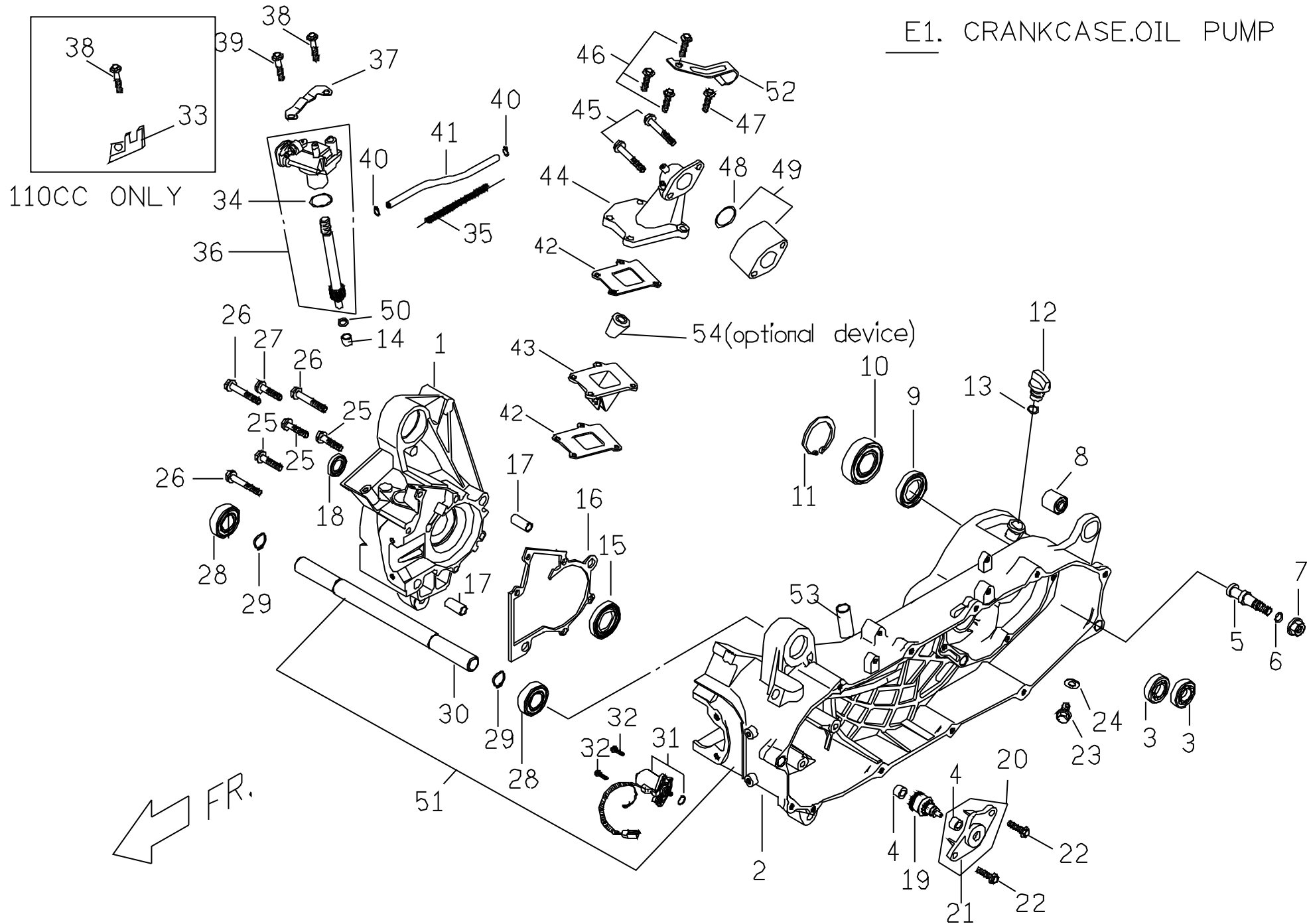


Rattler 110 ENGINE PARTS



PRINTED IN JUNE, 2007

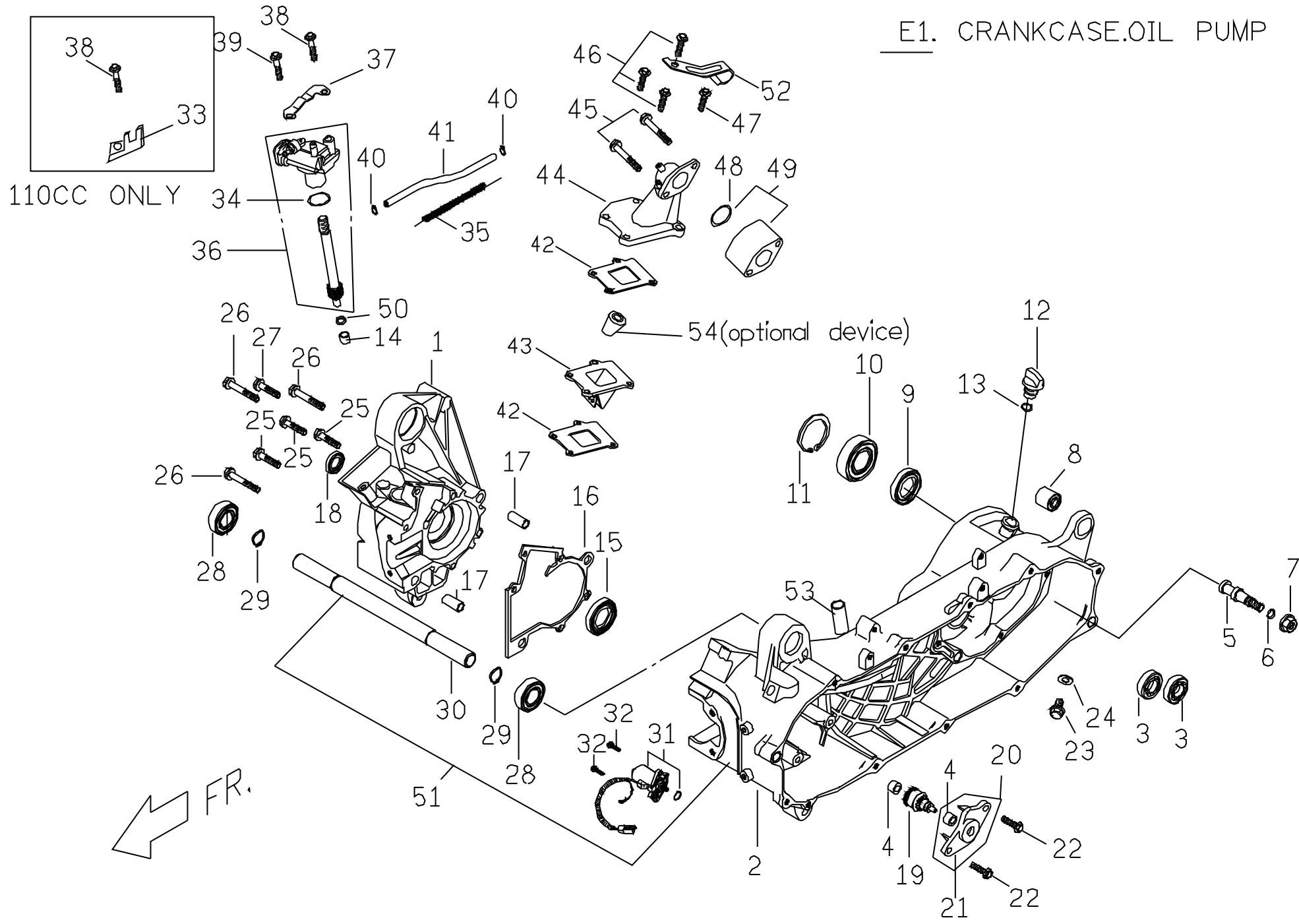
E1. CRANKCASE.OIL PUMP



E1. CRANK CASE OIL PUMP (PM NAKED-110)

| NO. | PART NO.(110) | PART NAME | Q'TY | FMSP |
|------------|----------------------|----------------------------|-------------|-------------|
| 1 | P006A010000 | RH CRANKCASE | 1 | Y |
| 2 | P0062012000 | LH CRANKCASE | 1 | |
| 3 | 96510620000 | BALL BEARING | 2 | Y |
| 4 | E1062130000 | BUSH | 2 | |
| 5 | P1407431000 | PIVOT, RR BRAKE SHOE | 1 | |
| 6 | 95510800000 | O RING | 1 | |
| 7 | 92060800000 | HEXAGON FLANGE NUT | 1 | |
| 8 | P1062020000 | RUBBER BUSH | 1 | |
| 9 | 95572540700 | OIL SEAL, TC TYPE | 1 | Y |
| 10 | 96530620400 | BALL BEARING, DOUBLE SEAL | 1 | |
| 11 | 92164700000 | RETAINING, RING, C TYPE | 1 | |
| 12 | P1062150000 | OIL BOLT | 1 | Y |
| 13 | 95511300001 | O RING | 1 | Y |
| 14 | E1061030000 | BUSH | 1 | |
| 15 | 95572038700 | OIL SEAL, TC TYPE | 1 | Y |
| 16 | P0061042000 | GASKET , CRANKCASE | 1 | Y |
| 17 | 93541002300 | LOCK PIN | 2 | |
| 18 | 95571525700 | OIL SEAL, TC TYPE | 1 | Y |
| 19 | E92420000001 | IDLE GEAR COMP, STARTER | 1 | Y |
| 20 | P1242111000 | FIXED PLATE, STARTER COMP. | 1 | Y |
| 21 | NA | FIXING PLATE | 1 | |
| 22 | 90180602000 | HEXAGON FLANGE BOLT | 2 | |
| 23 | 90190801200 | HEXAGON FLANGE BOLT | 1 | |
| 24 | 92140800001 | WASHER | 1 | |
| 25 | 90190604500 | HEXAGON FLANGE BOLT | 3 | |
| 26 | 90190606000 | HEXAGON FLANGE BOLT | 3 | |
| 27 | 90190602700 | HEXAGON FLANGE BOLT | 1 | |
| 28 | 96530600300 | BALL BEARING, DOUBLE SEAL | 2 | Y |

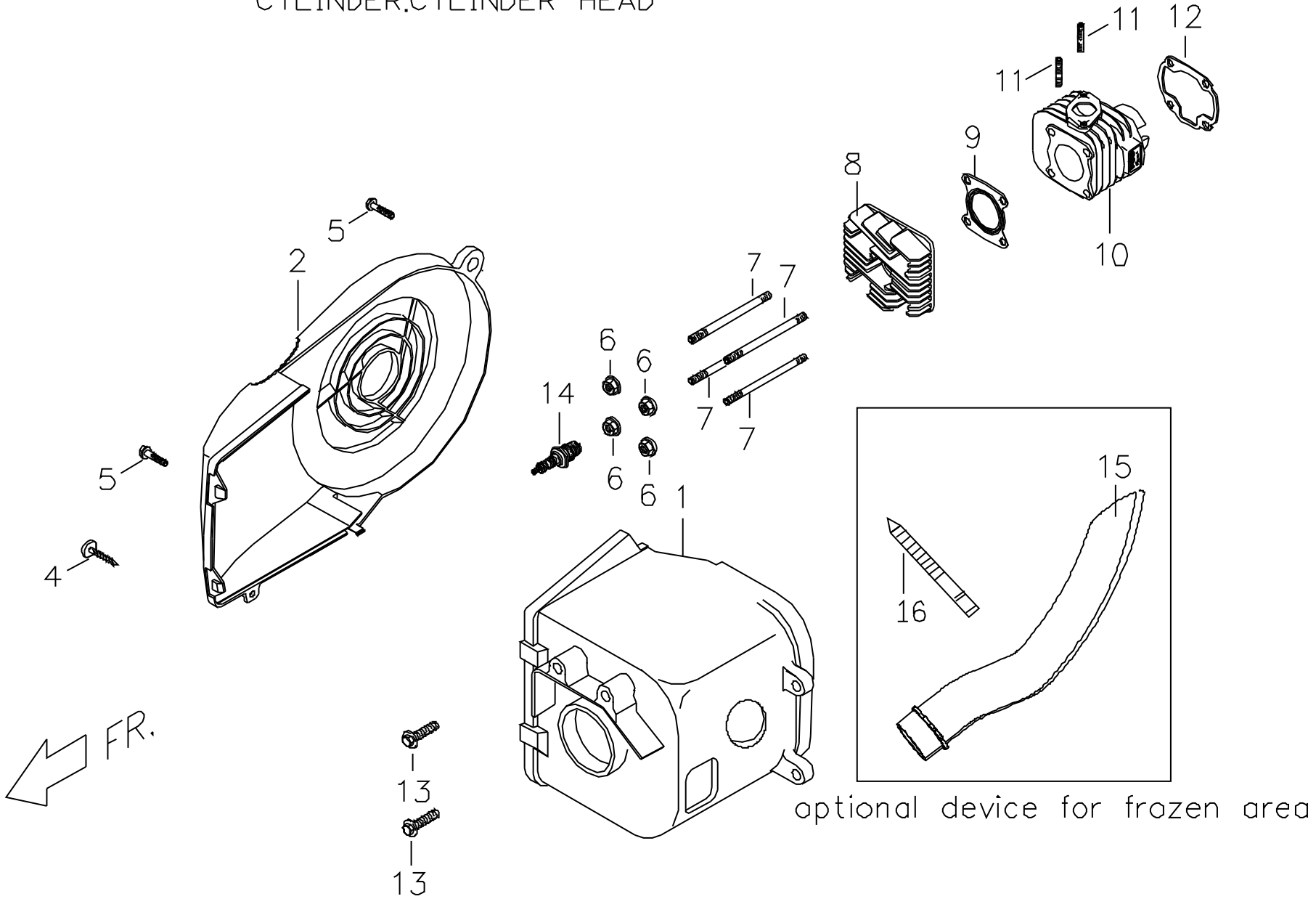
E1. CRANKCASE.OIL PUMP



E1. CRANK CASE OIL PUMP (PM NAKED-110)

| NO. | PART NO.(110) | PART NAME | Q'TY | FMSP |
|------------|----------------------|-------------------------|-------------|-------------|
| 29 | 92171700000 | RETAINING, RING, C TYPE | 2 | |
| 30 | P1486020000 | ENGINE HANGER SHAFT | 1 | |
| 31 | P0241001000 | MOTOR COMP., STARTER | 1 | Y |
| 32 | 90210602001 | HEXAGON FLANGE BOLT | 2 | |
| 33 | NA | DRIVING SHAFT, OIL PUMP | 1 | |
| 34 | 95511900000 | O RING | 1 | |
| 35 | P1706611000 | COMPRESION SPRING | 1 | |
| 36 | P90810010001 | OIL PUMP ASSY. | 1 | Y |
| 37 | P9081211000 | OIL PUMP PLATE | 1 | |
| 38 | 90190603500 | HEXAGON FLANGE BOLT | 2 | |
| 39 | 90190601200 | HEXAGON FLANGE BOLT | 1 | |
| 40 | P1706270000 | SPRING PIN | 2 | |
| 41 | P9081300000 | RUBBER TUBE | 1 | |
| 42 | P1261021000 | GASKET, REED VALVE | 1 | Y |
| 43 | P0261100000 | REED VALVE COMP. | 1 | Y |
| 44 | P0261011000 | INTAKE MANIFOLD | 1 | |
| 45 | 90190602700 | HEXAGON FLANGE BOLT | 2 | |
| 46 | 90180602500 | HEXAGON FLANGE BOLT | 3 | |
| 47 | 90190608001 | HEXAGON FLANGE BOLT | 1 | |
| 48 | 95512300000 | O RING | 1 | |
| 49 | P12613000001 | INSULATOR ASSY., CARB. | 1 | Y |
| 50 | 92140700001 | PLAIN WASHER | 1 | |
| 51 | P006K011000 | RH/LH CRANKCASE COMP. | 1 | |
| 52 | P1706400000 | FIXING CLIP | 1 | |

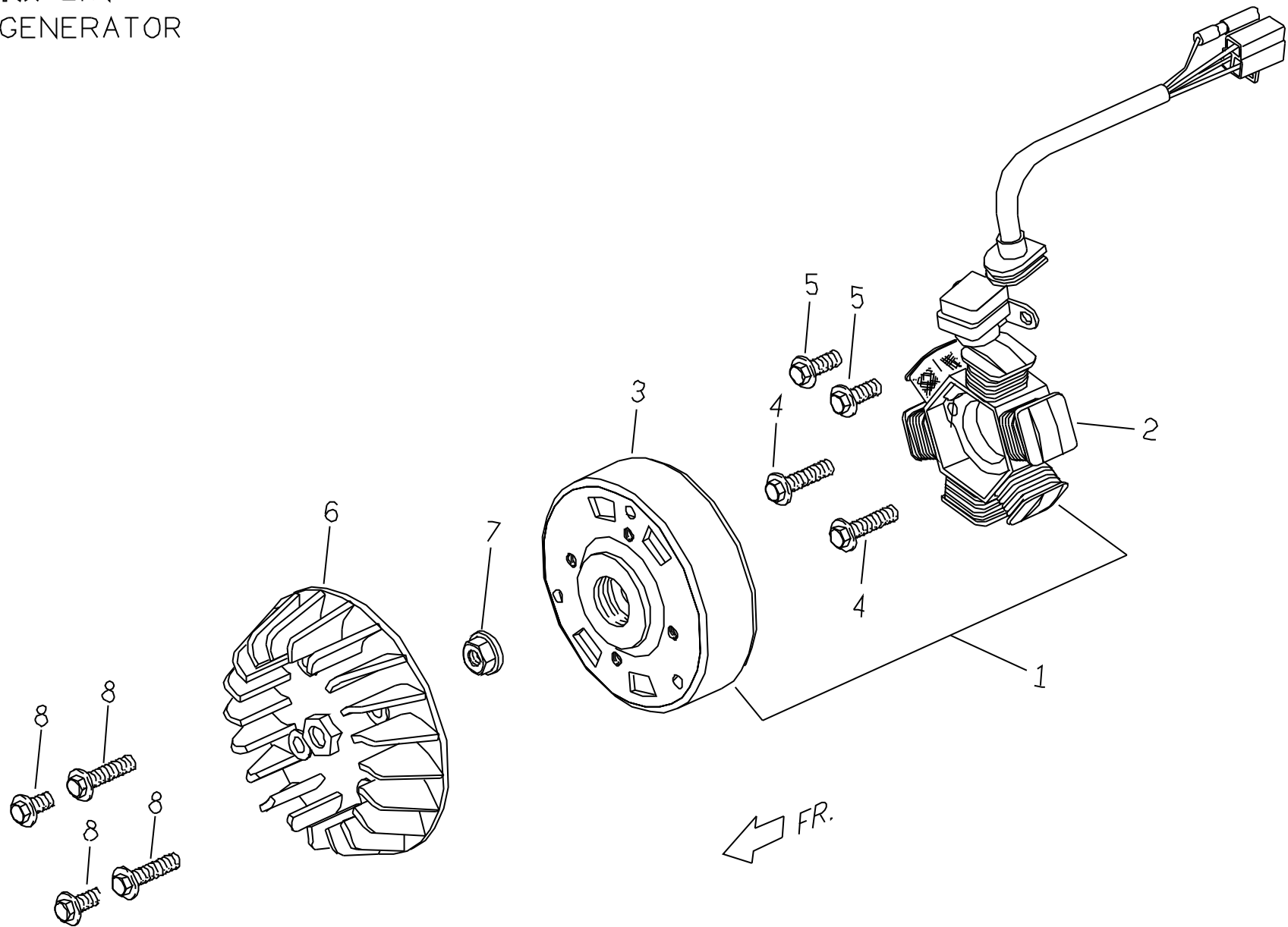
E2. FAN COVER, COOLING COWL
CYLINDER, CYLINDER HEAD



E2. FAN COVER.COOLING COWL.CYLINDER.CYLINDER HEAD(PM NAKED-110)

| NO. | PART NO.(110) | PART NAME | Q'TY | FMSP |
|------------|----------------------|---------------------------|-------------|-------------|
| 1 | P0042101000 | COOLING COWL | 1 | Y |
| 2 | P0042000000 | FAN COVER | 1 | Y |
| 4 | 90110401200 | C-R PAN HD. TAPPING SCREW | 1 | |
| 5 | 90190602000 | HEXAGON FLANGE BOLT | 2 | |
| 6 | 92040700000 | HEXAGON FLANGE NUT | 4 | |
| 7 | 90170713700 | STUD BOLT | 4 | |
| 8 | P0065011000 | CYLINDER HEAD | 1 | Y |
| 9 | P0065110000 | GASKET, CYLINDER HEAD | 1 | Y |
| 10 | P0064011000 | CYLINDER | 1 | Y |
| 11 | 90170602602 | STUD BOLT | 2 | |
| 12 | P0064111000 | CYLINDER GASKET | 1 | Y |
| 13 | 90190601203 | HEXAGON FLANGE BOLT | 2 | |
| 14 | P12220000002 | SPARK PLUG | 1 | Y |
| 15 | NA | AIR PIPE | 1 | |
| | | | | |
| | | | | |
| | | | | |
| | | | | |
| | | | | |
| | | | | |
| | | | | |
| | | | | |
| | | | | |
| | | | | |
| | | | | |
| | | | | |
| | | | | |
| | | | | |
| | | | | |
| | | | | |
| | | | | |
| | | | | |
| | | | | |
| | | | | |

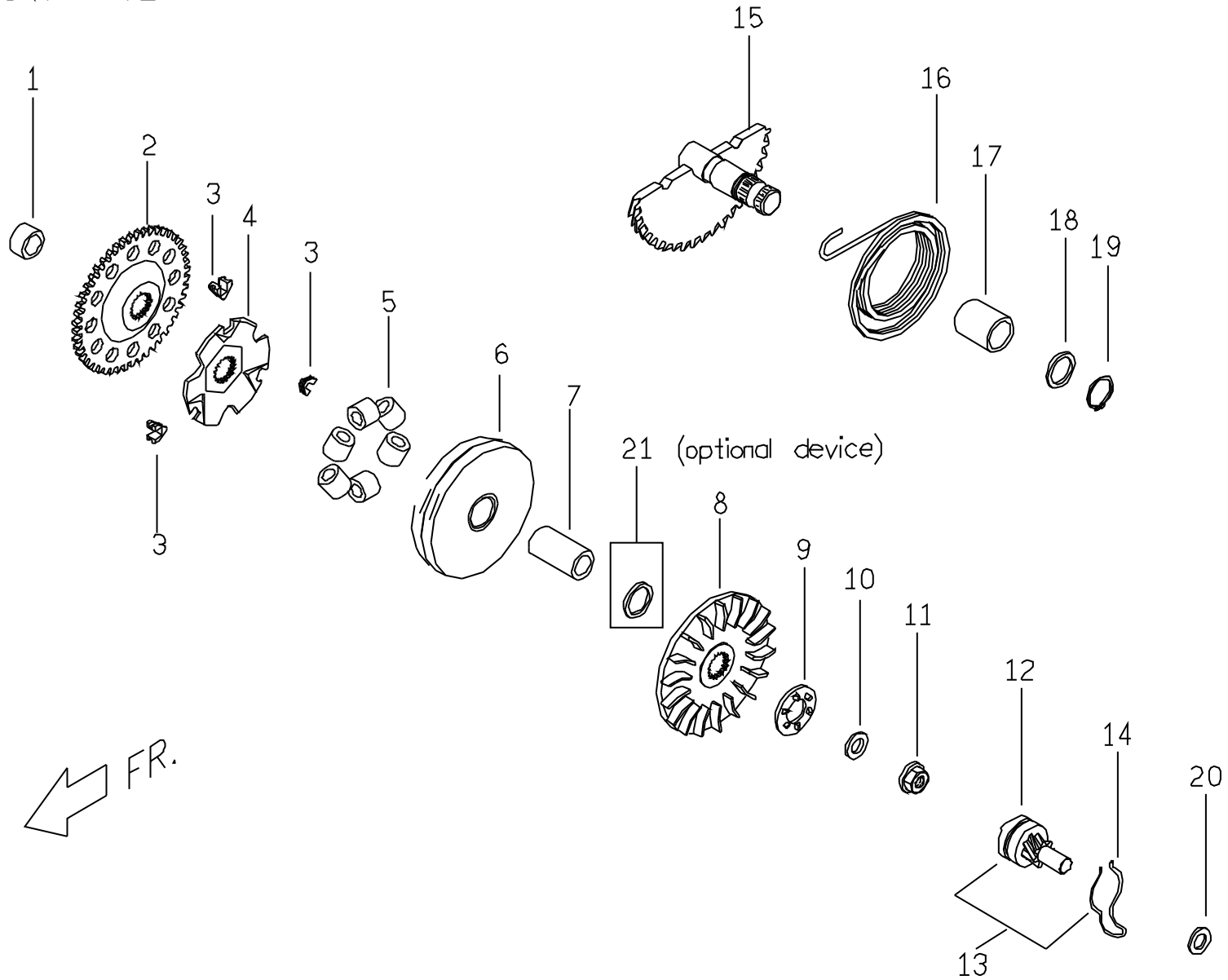
E3 風扇.發電機
FAN,GENERATOR



E3. GENERATOR(PM NAKED-110)

| NO. | PART NO.(110) | PART NAME | Q'TY | FMSP |
|------------|----------------------|---------------------|-------------|-------------|
| 1 | P12210010003 | AC GENERATOR ASSY. | 1 | Y |
| 2 | P12210210003 | STATOR COMP. | 1 | Y |
| 3 | P12210100003 | FLYWHEEL COMP. | 1 | |
| 4 | 90180601800 | HEXAGON FLANGE BOLT | 2 | |
| 5 | 90190601203 | HEXAGON FLANGE BOLT | 2 | |
| 6 | P0043000000 | FAN | 1 | Y |
| 7 | 92041000001 | HEXAGON FLANGE NUT | 1 | |
| 8 | 90190601603 | HEXAGON FLANGE BOLT | 4 | |
| | | | | |
| | | | | |
| | | | | |
| | | | | |
| | | | | |
| | | | | |
| | | | | |
| | | | | |
| | | | | |
| | | | | |
| | | | | |
| | | | | |
| | | | | |
| | | | | |
| | | | | |
| | | | | |
| | | | | |
| | | | | |
| | | | | |

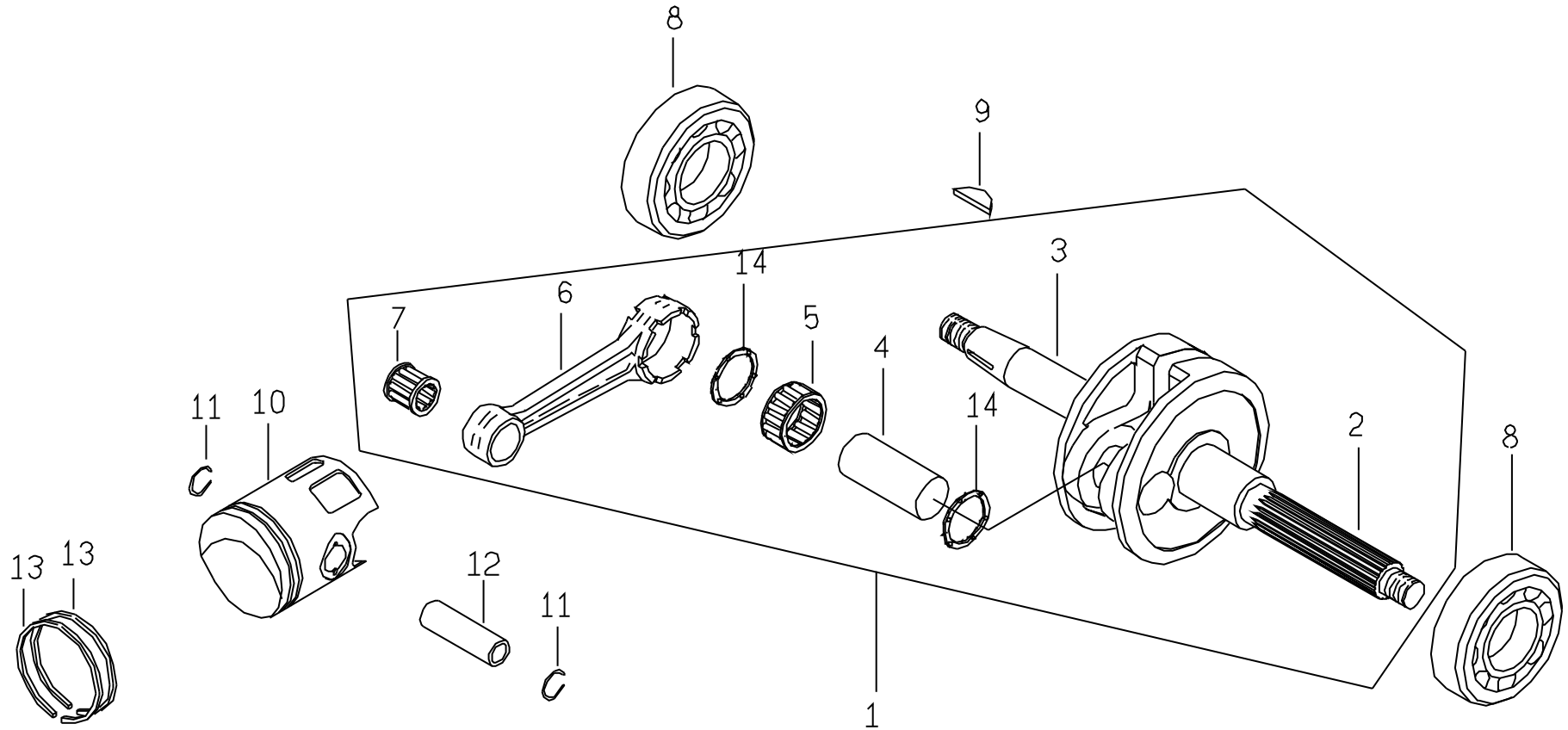
E4 DRIVING FACE



E4. DRIVING FACE(PM NAKED-110)

| NO. | PART NO.(110) | PART NAME | Q'TY | FMSP |
|------------|----------------------|---------------------------------|-------------|-------------|
| 1 | P9242210000 | SPACER | 1 | |
| 2 | P9242201000 | DRIVEN GEAR, STERTER | 1 | Y |
| 3 | P9121320000 | SLIDE PIECE | 3 | Y |
| 4 | P9121310000 | RAMP PLATE | 1 | Y |
| 5 | P1121200000 | WEIGHT ROLLER COMP. | 6 | Y |
| 6 | P9121101000 | DRIVING FACE COMP., MOVABLE | 1 | Y |
| 7 | P9121050000 | BOSS, MOVABLE DRIVE FACE | 1 | Y |
| 8 | P9121060000 | DRIVE FACE | 1 | Y |
| 9 | P9251030000 | RATCHET, KICK STARTWER | 1 | Y |
| 10 | 92141000001 | PLAIN WASHER | 1 | |
| 11 | 92041000001 | HEXAGON FLANGE NUT | 1 | |
| 12 | P0251010000 | DRIVEN GEAR COMP., KICK STARTER | 1 | |
| 13 | P0251000000 | DRIVEN GEAR 7 SPRING COMP. | 1 | Y |
| 14 | E1251020000 | SPRING, FRICTION STARTER GEAR | 1 | |
| 15 | P0251100000 | SPINDLE COMP., KICK STARTER | 1 | Y |
| 16 | E2251110000 | TORSION SPRING | 1 | |
| 17 | E1251120000 | BUSH | 1 | |
| 18 | 92141400000 | PLAIN WASHER | 1 | |
| 19 | 92171400000 | RETAINING RING, C TYPE | 1 | |
| 20 | 92141000011 | PLAIN WASHER | 1 | |
| | | | | |
| | | | | |
| | | | | |
| | | | | |
| | | | | |
| | | | | |
| | | | | |
| | | | | |

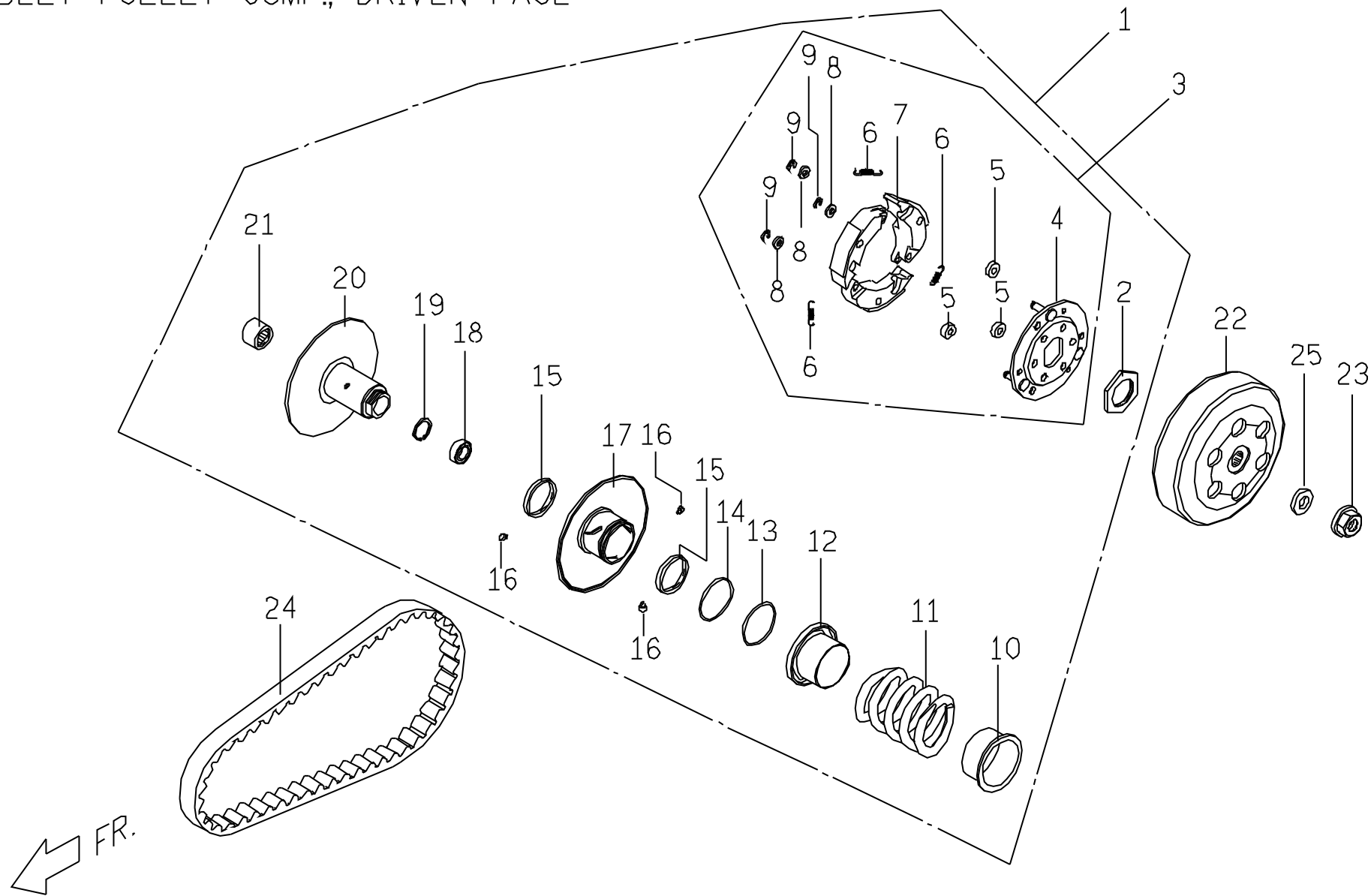
E5 CRANKSHAFT.PISTON



E5. CRANKSHAFT.PISTON(PM_NAKED-110)

| NO. | PART NO.(110) | PART NAME | Q'TY | FMSP |
|-----|---------------|-------------------|------|------|
| 1 | P0066001000 | CRANKSHAFT COMP. | 1 | Y |
| 2 | NA | LH CRANKSHAFT | 1 | |
| 3 | NA | RH CRANKSHAFT | 1 | |
| 4 | E9066030000 | CRANK PIN | 1 | |
| 5 | 96590182400 | BEARING CAGE | 1 | |
| 6 | P0066120000 | CONNECTING ROD | 1 | |
| 7 | 96600141800 | RBEARING CAGE | 1 | Y |
| 8 | 96510620500 | BALL BEARING | 2 | Y |
| 9 | 93530302400 | WOODRUFF KEY | 1 | |
| 10 | P0067011000 | PISTON | 1 | Y |
| 11 | P0067150000 | CLIP, PISTON PIN | 2 | Y |
| 12 | P0067110000 | PISTON PIN | 1 | Y |
| 13 | P0067310000 | PISTON RING | 2 | Y |
| 14 | E9066130000 | WASHER, CRANK PIN | 2 | |
| | | | | |
| | | | | |
| | | | | |
| | | | | |
| | | | | |
| | | | | |
| | | | | |
| | | | | |
| | | | | |
| | | | | |
| | | | | |
| | | | | |
| | | | | |
| | | | | |

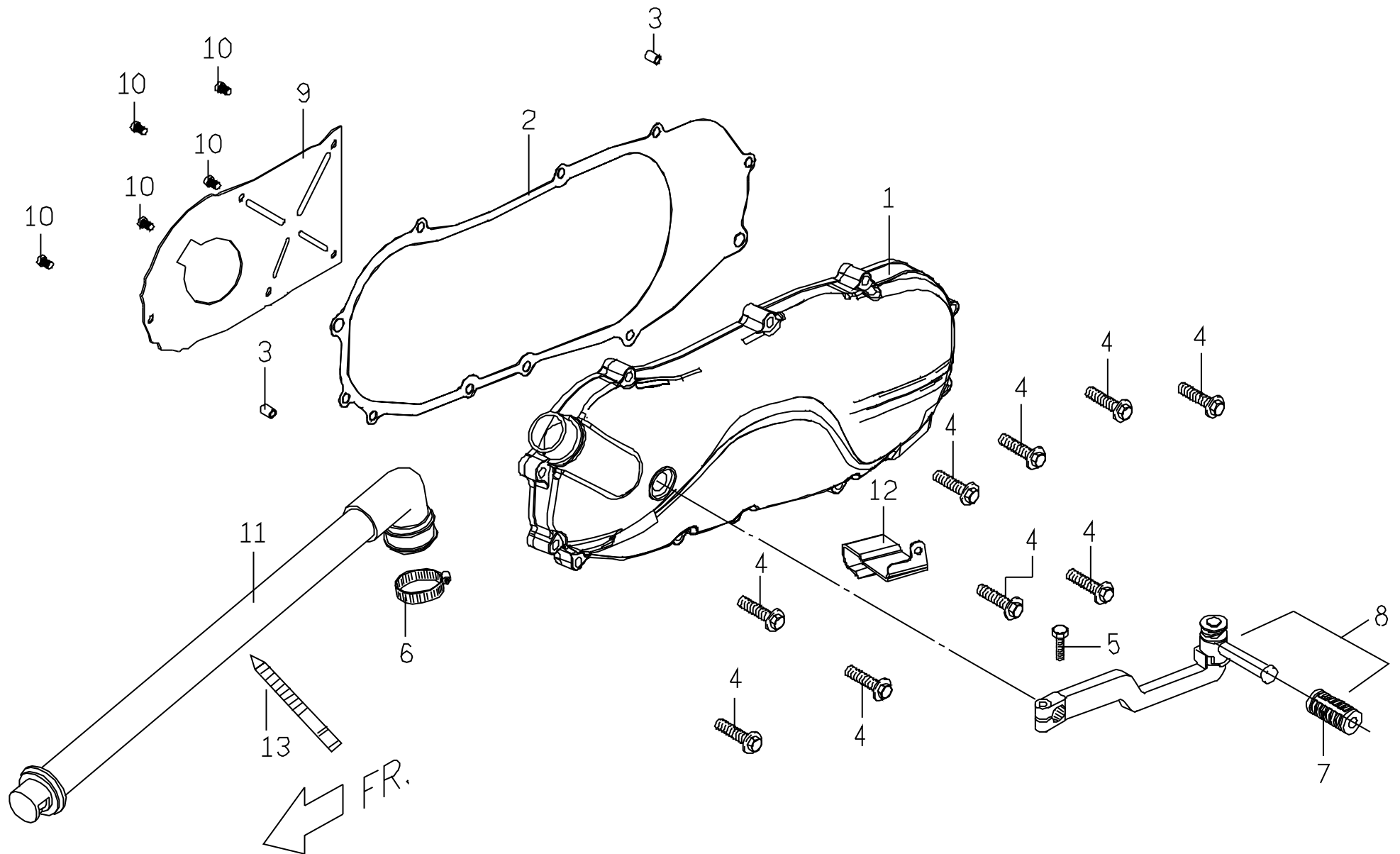
E6 被驅動面皮帶輪組合
BELT PULLEY COMP., DRIVEN FACE



E6. BELT PULLY COMP. DRIVEN FACE(PM NAKED-110)

| NO. | PART NO.(110) | PART NAME | Q'TY | FMSP |
|------------|----------------------|------------------------------------|-------------|-------------|
| 1 | P0123703000 | BELT PULLY COMP, DRIVEN FACE | 1 | Y |
| 2 | P9123410000 | NUT | 1 | |
| 3 | P0123600000 | DRIVE PLATE COMP | 1 | Y |
| 4 | P9123300000 | BODY COMP., DRIVE PLATE | 1 | |
| 5 | C1123420000 | DAMPER RUBBER, CLUTCH | 3 | |
| 6 | C1123430000 | SPRING , CLUTCH | 3 | |
| 7 | P0123440000 | WEIGHT SET, CLUTCH | 3 | |
| 8 | 92140600008 | PLAIN WASHER | 3 | |
| 9 | 92180700000 | RETAINING RING, E TYPE | 3 | |
| 10 | P0123330000 | COLLAR, SPRING | 1 | |
| 11 | P01235210001 | SPRING, DRIVEN FACE | 1 | |
| 12 | P9123530000 | SEALED SOCKET | 1 | |
| 13 | 95513600000 | O RING | 1 | |
| 14 | 95514000001 | O RING | 1 | |
| 15 | 95593439300 | OLI SEAL , G TYPE | 2 | |
| 16 | P9123240000 | PIN, GUIDE ROLLER | 3 | |
| 17 | P9123210000 | BODY COMP, MOVABLE DRIVEN FACE | 1 | |
| 18 | 96520690100 | DEEP GROOVE BALL BEARING, ONE SEAL | 1 | |
| 19 | 92162400000 | RETAINING RING, C TYPE | 1 | |
| 20 | P9123110000 | BODY COMP, DRIVEN FACE | 1 | |
| 21 | E1123140000 | NIDDLE BEARING | 1 | |
| 22 | P0123510000 | OUTER BODY COMP., CLUTCH | 1 | Y |
| 23 | 92041000001 | HEXAGON FLANGE NUT | 1 | Y |
| 24 | P9122000000 | V BELT | 1 | Y |
| 25 | 92141000001 | PLAIN WASHER | 1 | |
| | | | | |
| | | | | |

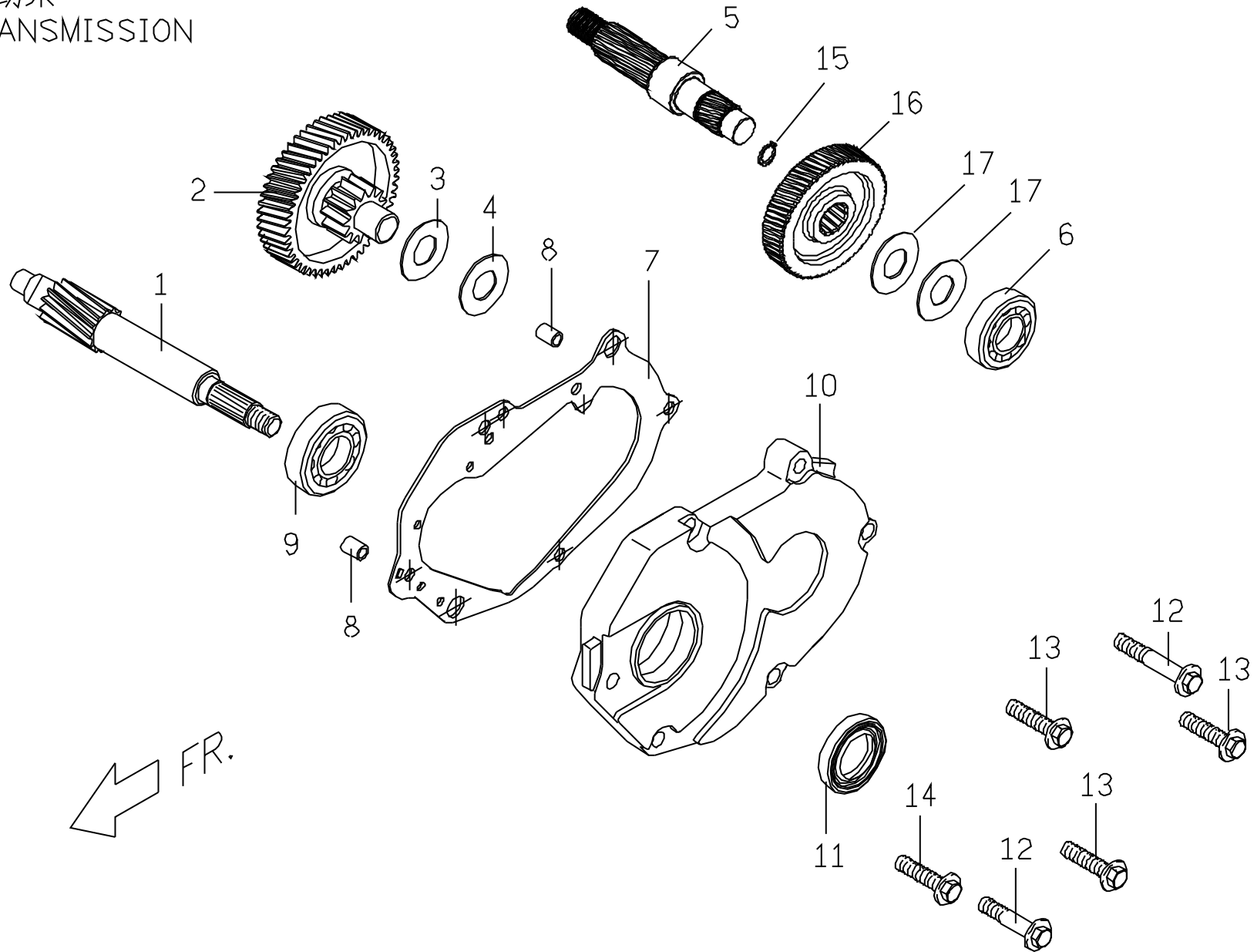
E7 LH. SIDE COVER



E7. LH SIDE COVER(PM NAKED-110)

| NO. | PART NO.(110) | PART NAME | Q'TY | FMSP |
|------------|----------------------|------------------------------|-------------|-------------|
| 1 | P00630107204 | LH SIDE COVER | 1 | Y |
| 2 | P9063021000 | GASKET, LH SIDE COVER | 1 | Y |
| 3 | 93541001401 | LOCK PIN | 2 | |
| 4 | 90190603502 | HEXAGON FLANGE BOLT | 10 | |
| 5 | 90020602203 | FASTENING BOLT, KICK STARTER | 1 | |
| 6 | E1706280000 | HOSE CLAMP | 2 | |
| 7 | E1251240000 | RUBBER PAD, KICK STARTER | 1 | |
| 8 | P1251200000 | ARM COMP., KICK STARTER | 1 | Y |
| 9 | P9063060000 | PARTITION PLATE | 1 | |
| 10 | 90050500900 | C-R ROUND HD MACHINE SCREW | 5 | |
| 11 | P5063030000 | BREATHER PIPE | 1 | |
| 12 | P2706030000 | CLIP, RR BRAKE WIRE | 1 | Y |
| 13 | E1701031000 | PLASTIC BAND | 1 | |
| | | | | |
| | | | | |
| | | | | |
| | | | | |
| | | | | |
| | | | | |
| | | | | |
| | | | | |
| | | | | |
| | | | | |
| | | | | |
| | | | | |
| | | | | |
| | | | | |
| | | | | |
| | | | | |
| | | | | |

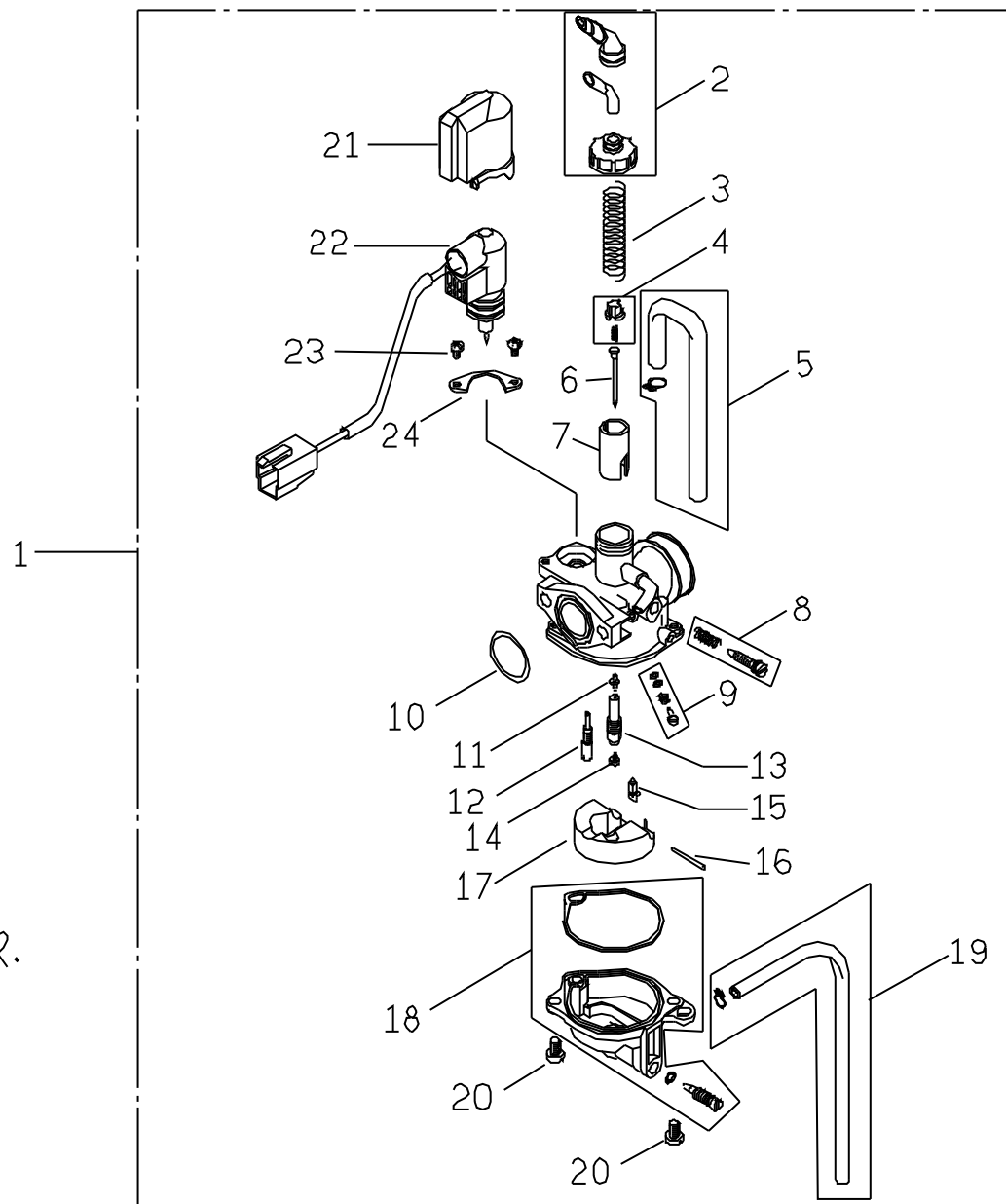
E8 傳動系
TRANSMISSION



E8. TRANSMISSION(PM NAKED-110)

| NO. | PART NO.(110) | PART NAME | Q'TY | FMSP |
|-----|---------------------|---------------------------|----------|------|
| 1 | P91411000001 | DRIVE SHAFT | 1 | |
| 2 | P91412000001 | IDLE GEAR COMP. | 1 | |
| 3 | P1141230000 | DISK SPRING WASHER | 1 | |
| 4 | 92141400003 | PLAIN WASHER | 1 | |
| 5 | P0141410000 | FINAL SHAFT | 1 | Y |
| 6 | 96510620200 | BALL BEARING | 1 | Y |
| 7 | P1141021000 | TRANSMISSION COVER GASKET | 1 | Y |
| 8 | 93541001401 | LOCK PIN | 2 | |
| 9 | 96510620301 | BALL BEARING | 1 | Y |
| 10 | P1141010000 | TRANSMISSION COVER | 1 | |
| 11 | 95571735700 | OIL SEAL TC TYPE | 1 | Y |
| 12 | 90190603500 | HEXAGON FLANGE BOLT | 2 | |
| 13 | 90180602500 | HEXAGON FLANGE BOLT | 3 | |
| 14 | 90180602000 | HEXAGON FLANGE BOLT | 1 | |
| 15 | 92172200000 | C CLIP | 1 | |
| 16 | P91413100001 | FINAL GEAR | 1 | Y |
| 17 | 92431500001 | PLAIN WASHER | 2 | |
| | | | | |
| | | | | |
| | | | | |
| | | | | |
| | | | | |
| | | | | |
| | | | | |
| | | | | |
| | | | | |
| | | | | |
| | | | | |
| | | | | |
| | | | | |
| | | | | |

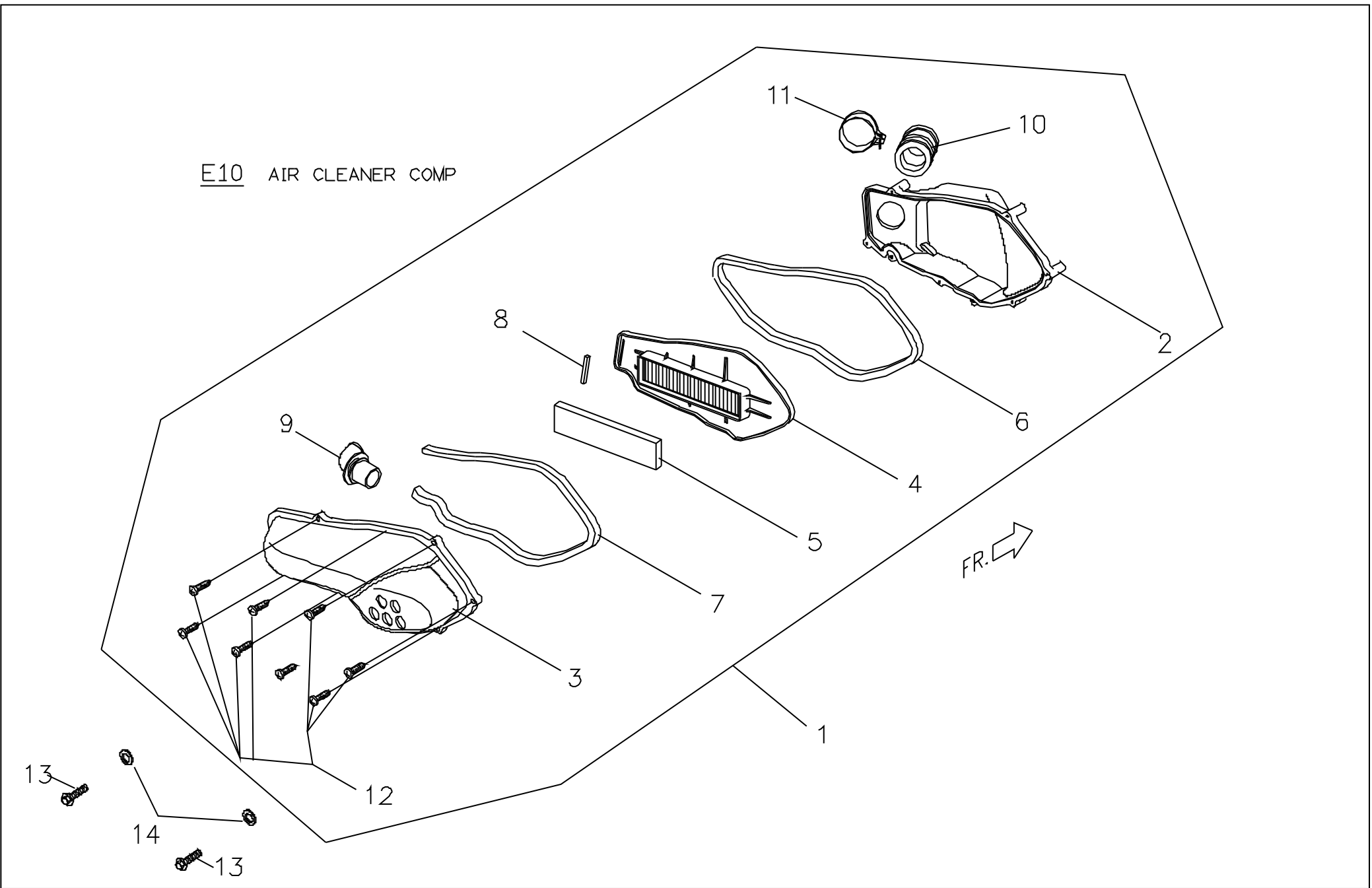
E9.1 化油器
CARBURETOR



E9. CARBURETOR(PM NAKED-110)

| NO. | PART NO.(110) | PART NAME | Q'TY | FMSP |
|------------|----------------------|-------------------------|-------------|-------------|
| 1 | P01510010000 | CARBURETOR ASSY. | 1 | Y |
| 2 | D19KT0080100 | TOP SET | 1 | |
| 3 | D19KT0070200 | SPRING COMP. | 1 | |
| 4 | D19KT0010300 | PLATE SET | 1 | |
| 5 | D19KT0262100 | TUB SET | 1 | |
| 6 | D19KT0140400 | JET NEEDLE | 1 | |
| 7 | D19KT0060500 | THROTTLE VALVE | 1 | |
| 8 | D19KT0031400 | SCREW SET | 1 | |
| 9 | D19KT0071400 | SCREW SET (A.S.) | 1 | |
| 10 | D19KT0031500 | O RING | 1 | |
| 11 | D19KT0050600 | HOLDER, NEEDLE JET | 1 | |
| 12 | D19KT0061100 | SLOW JET | 1 | Y |
| 13 | D19KT0080900 | NEEDLE JET | 1 | |
| 14 | D19KT0131000 | MAIN JET | 1 | |
| 15 | D19KT0030700 | FLOAT VALVE SET | 1 | |
| 16 | D19KT0010800 | PIN, ARM | 1 | |
| 17 | D19KT0061200 | FLOAT SET | 1 | |
| 18 | D19KT0031300 | FLOAT CHAMBER SET | 1 | |
| 19 | D19KT0272100 | TUB SET | 1 | |
| 20 | D19KT0061900 | SCREW WASHER | 2 | |
| 21 | D19KT0022000 | CAP HOLDER | 1 | |
| 22 | D19KT0361700 | AUTO BYSTARTER SET | 1 | Y |
| 23 | D19KT0051900 | SCREW WASHER | 2 | |
| 24 | D19KT0011800 | PLATE SET | 1 | |
| | | | | |
| | | | | |
| | | | | |

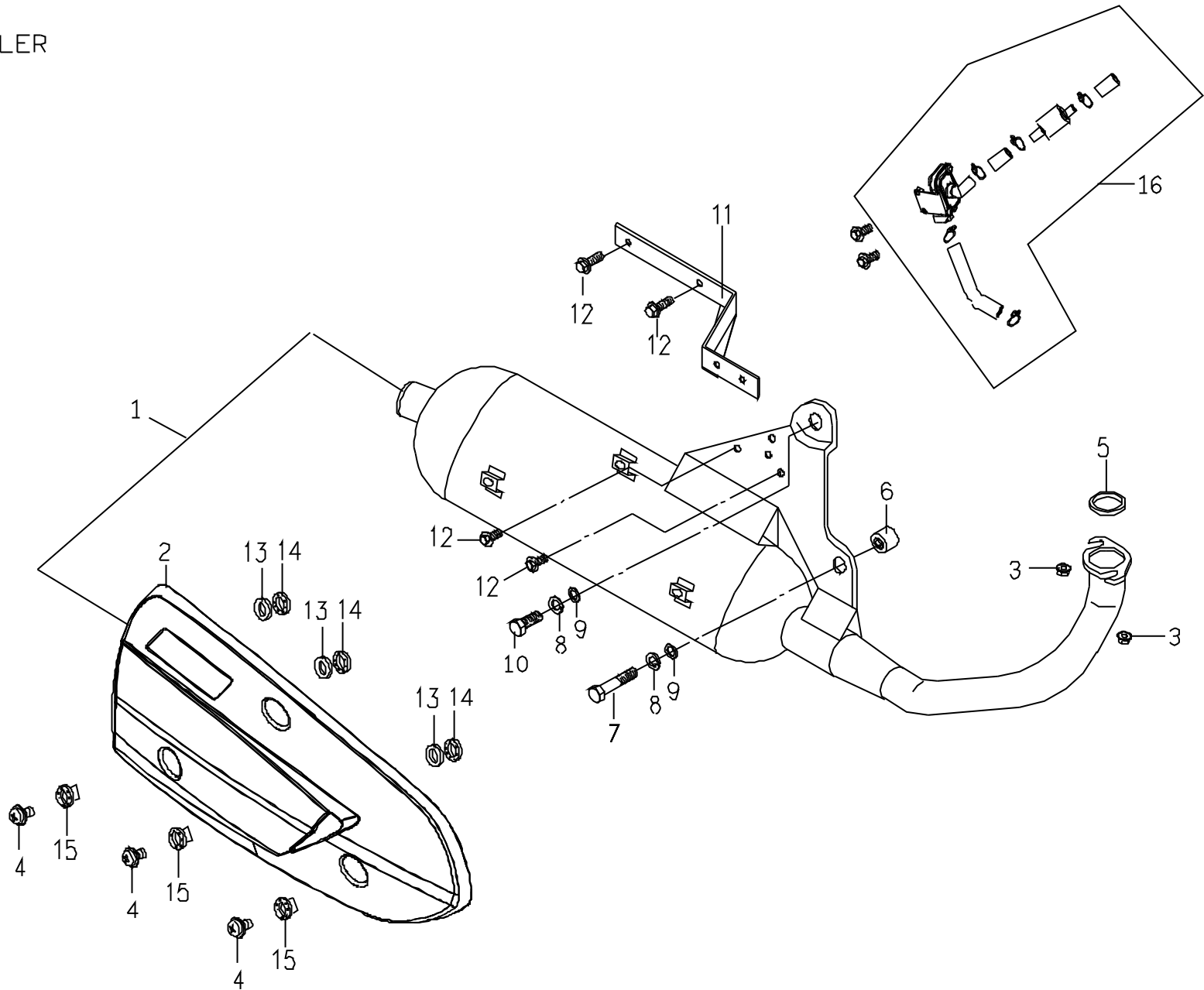
E10 AIR CLEANER COMP



E10. AIR CLEANER COMP(PM NAKED-110)

| NO. | PART NO.(110) | PART NAME | Q'TY | FMSP |
|------------|----------------------|------------------------------|-------------|-------------|
| 1 | P2262003000 | AIR CLEANER COMP. | 1 | Y |
| 2 | P2262012000 | BODY, AIR CLEANER | 1 | |
| 3 | P2262021000 | COVER, AIR CLEANER | 1 | |
| 4 | P2262030000 | SPONGE, AIR CLEANER | 1 | Y |
| 5 | P2262040000 | SPONAGE | 1 | Y |
| 6 | P226B050000 | PACKING, AIR CLEANER | 1 | |
| 7 | P226B060000 | PACKING, AIR CLEANER | 1 | |
| 8 | P226B070000 | PACKING, AIR CLEANER | 1 | |
| 9 | P2262060000 | AIR HOSE | 1 | |
| 10 | P1262080000 | CONNECTING PIPE, AIR CLEANER | 1 | |
| 11 | P1262110000 | CLAMP | 1 | |
| 12 | 90150502500 | C-R ROUND HD SCREW | 7 | |
| 13 | 90180602500 | HEXAGON FLANGE BOLT | 2 | |
| | | | | |
| | | | | |
| | | | | |
| | | | | |
| | | | | |
| | | | | |
| | | | | |
| | | | | |
| | | | | |
| | | | | |
| | | | | |
| | | | | |
| | | | | |
| | | | | |
| | | | | |
| | | | | |

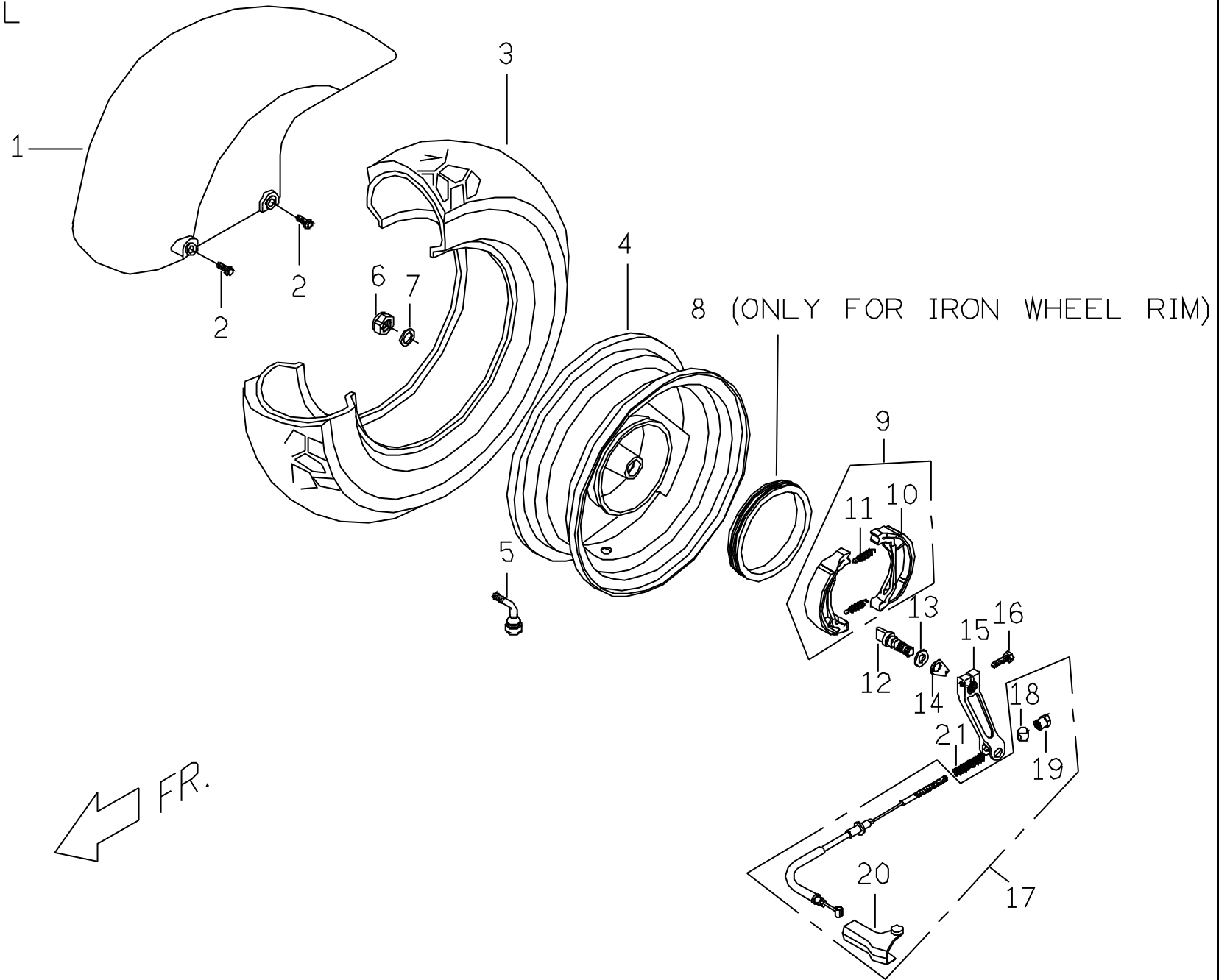
E11.1 MUFFLER



E11. MUFFLER(PM NAKED-110)

| NO. | PART NO.(110) | PART NAME | Q'TY | FMSP |
|-----|---------------|-------------------------------|------|------|
| 1 | P0281000003 | MUFFLER ASSY. | 1 | Y |
| 2 | P22810100001 | HEAT PROTECTOR | 1 | Y |
| 3 | 92050600003 | HEXAGON FLANGE NUT | 2 | Y |
| 4 | 90040602000 | C-R PAN HD MACHING SCREW | 3 | |
| 5 | E9281020000 | GASKET, MUFFLER | 1 | Y |
| 6 | E1062020000 | DAMPER BUSH | 1 | |
| 7 | 90190802600 | HEXAGON BOLT | 1 | |
| 8 | 92110800000 | SPRING WASHER | 2 | |
| 9 | 92140800000 | PLAIN WASHER | 2 | |
| 10 | 90190804003 | HEXAGON BOLT | 1 | |
| 11 | P2634020000 | BRACKET, REAR FENDER | 1 | Y |
| 12 | 90190601200 | HEXAGON FLANGE BOLT | 4 | |
| 13 | C328A040000 | CIRCLET | 3 | |
| 14 | 92140600015 | HIGH TEMPERATURE PLAIN WASHER | 3 | |
| 15 | C328A020000 | INNER SPACER | 3 | |
| 16 | P0286102000 | 2nd air injection system | 1 | |
| | | | | |
| | | | | |
| | | | | |
| | | | | |
| | | | | |
| | | | | |
| | | | | |
| | | | | |
| | | | | |
| | | | | |
| | | | | |
| | | | | |
| | | | | |

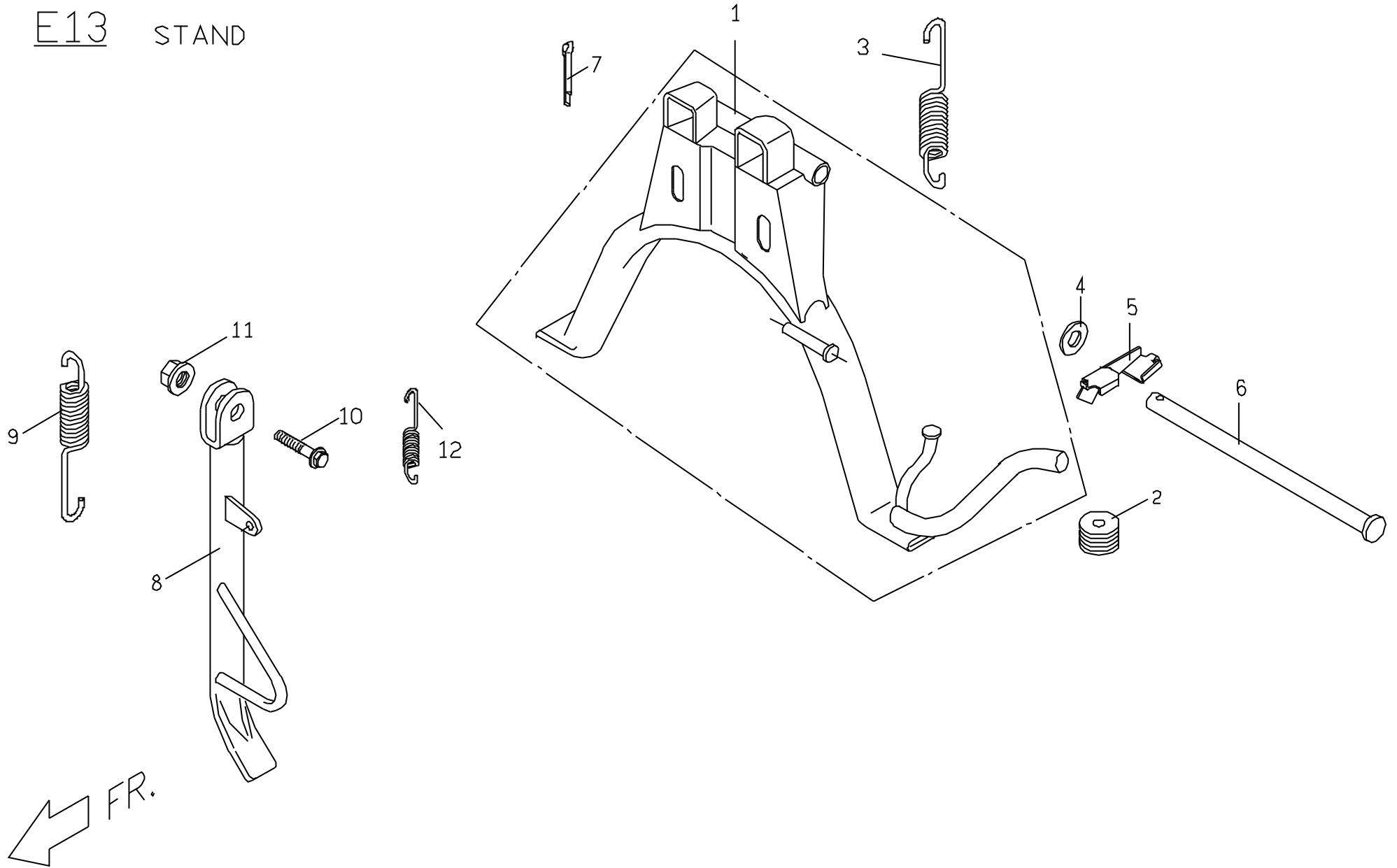
E12 REAR WHEEL



E12. REAR WHEEL(PM NAKED-110)

| NO. | PART NO.(110) | PART NAME | Q'TY | FMSP |
|------------|----------------------|----------------------|-------------|-------------|
| 1 | P2634000650 | REAR FENDER | 1 | Y |
| 2 | 90180602000 | HEXAGON FLANGE BOLT | 2 | |
| 3 | P140G320000 | TIRE 130/90-10 | 1 | Y |
| 4 | P14071046D0 | RR WHEEL COMP. | 1 | Y |
| 5 | P140B330000 | VALVE | 1 | |
| 6 | 92011600000 | U TYPE NUT | 1 | |
| 7 | 92141700001 | PLAIN WASHER | 1 | |
| 8 | E1407010000 | ANTI-DUST RUBBER | 1 | |
| 9 | E14074000002 | BRAKE SHOE ASSY. | 1 | Y |
| 11 | E1407410000 | SPRING, BRAKE SHOE | 2 | |
| 12 | E1407440000 | CAM, REAR BRAKE | 1 | |
| 13 | 95511000002 | AEPE WASHER | 1 | |
| 14 | E1407450000 | INDICATOR, RR BRAKE | 1 | |
| 15 | P1407471000 | ARM, REAR BRAKE | 1 | |
| 16 | 90020602203 | HEXAGON BOLT | 1 | |
| 17 | P2544400000N | CABLE ASSY, RR BRAKE | 1 | Y |
| 18 | E1544440000 | PIN | 1 | |
| 19 | E1544410000 | ADJUST NUT, CABLE | 1 | |
| 20 | NA | PROTECTING COVER | 1 | |
| 21 | C154D110000 | SPRING, RR BRAKE ARM | 1 | |
| 22 | 95511000002 | O RING | 1 | |
| | | | | |
| | | | | |
| | | | | |
| | | | | |
| | | | | |
| | | | | |
| | | | | |

E13 STAND



E13. STAND(PM NAKED-110)

| NO. | PART NO.(110) | PART NAME | Q'TY | FMSP |
|-----|---------------|------------------------------|------|------|
| 1 | P2461002600 | CENTER STAND ASSY. | 1 | Y |
| 2 | P146A011000 | RUBBER DAMPING, CENTER STAND | 1 | Y |
| 3 | P1461120000 | SPRING, CENTER STAND | 1 | Y |
| 4 | P1701070000 | RUBBER WASHER | 1 | |
| 5 | P1407482000 | RR BRAKE FIXING PLATE | 1 | |
| 6 | E1461110000 | CENTER STAND FIXING PIN | 1 | Y |
| 7 | 93561010000 | "R" TYPE PIN | 1 | |
| 8 | P1462001600 | SIDE STAND COMP. | 1 | Y |
| 9 | E1461121000 | SIDE STAND SPRING | 1 | Y |
| 10 | 90191002800 | HEXAGON FLANGE BOLT | 1 | |
| 11 | 92061000000 | U TYPE NUT | 1 | |
| 12 | NA | SIDE STAND INNER SPRING | 1 | |
| 13 | NA | SAFETY SENSOR, SIDE STAND | 1 | |
| | | | | |
| | | | | |
| | | | | |
| | | | | |
| | | | | |
| | | | | |
| | | | | |
| | | | | |
| | | | | |
| | | | | |
| | | | | |
| | | | | |
| | | | | |
| | | | | |
| | | | | |
| | | | | |
| | | | | |
| | | | | |
| | | | | |
| | | | | |
| | | | | |
| | | | | |
| | | | | |
| | | | | |
| | | | | |
| | | | | |
| | | | | |



**5400 N. Damen Avenue
Chicago IL 60625
info@genuinescooters.com**